



SERVICE PARTS LIST

BUL. 54-32-1009

7" POLISHER

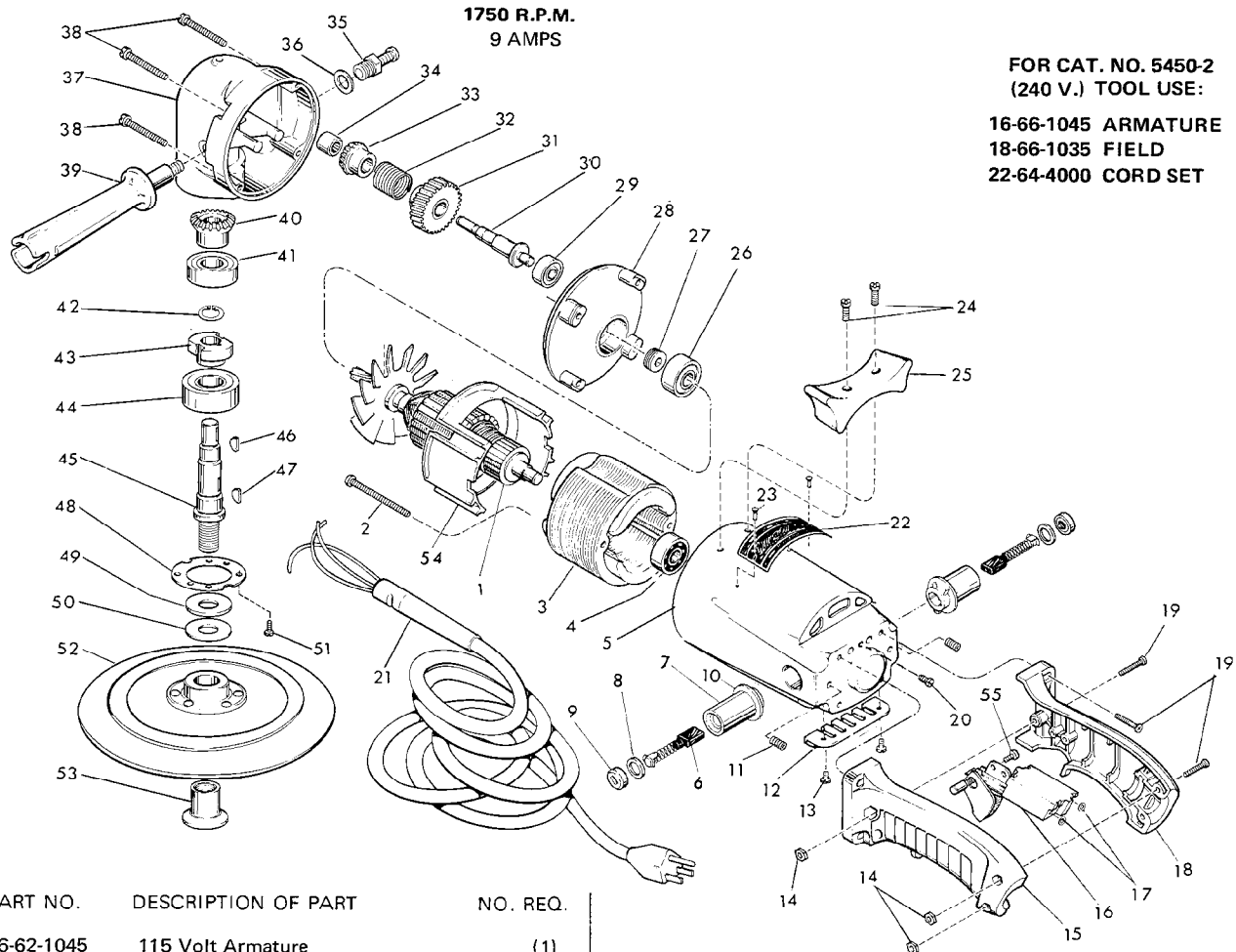
REVISED BUL. 54-32-1008 DATE Sept. '78

Catalog No. 5450

Starting Serial No. **100-35200**

WIRING INSTRUCTIONS **58-01-0305**

Specify Catalog and Serial No. when ordering parts



FOR CAT. NO. 5450-2
(240 V.) TOOL USE:
16-66-1045 ARMATURE
18-66-1035 FIELD
22-64-4000 CORD SET

1750 R.P.M.
9 AMPS

FIG	PART NO.	DESCRIPTION OF PART	NO. REQ.
	1	16-62-1045 115 Volt Armature	(1)
	2	06-81-8950 8-32x2-1/4 Rd. Hd. Sem	(2)
	3	18-62-1035 115 Volt Field	(1)
	4	02-04-0970 Ball Bearing	(1)
★	5	28-50-5100 Motor Housing	(1)
★	6	22-18-0175 Carbon Brush	(2)
	7	22-22-1231 Brush Holder	(2)
	8	43-44-0180 Brush Cap Gasket	(2)
	9	23-44-0100 Brush Retaining Screw	(2)
	10	23-86-0075 Insulating Washer	(2)
★	11	06-83-2000 10-24x1/4 Set Screw	(2)
	12	44-66-0230 Commutator Cover Plate	(1)
	13	06-81-8650 6-32x1/4 Rd. Hd. Sem	(2)
★	14	06-55-1000 10-24 Hex Nut	(3)
★	15	31-44-0590 Handle Half Left	(1)
★	16	23-66-0165 Switch (16 Amp)	(1)
	17	06-97-1800 Lockwasher	(4)
★	18	31-44-0580 Handle Half Right	(1)
★	19	06-81-4207 10-24x7/8 Phillips Pan Hd. Screw	(7)
★	20	06-81-9125 10-24x1/4 Ground Screw	(1)
★	21	22-64-0080 Cord Set	(1)
	22	12-99-0032 Nameplate Blank	(1)
	23	06-85-0200 Nameplate Screw	(2)
	24	06-81-6950 10-24x1/2 Fil. Hd. Sem	(2)
	25	28-79-0321 Tool Rest	(1)
	26	02-04-1070 Ball Bearing	(1)
	27	45-28-0070 Grease Slinger	(1)
	28	28-28-1101 Diaphragm	(1)
	29	02-04-0910 Ball Bearing	(1)

FIG.	PART NO.	DESCRIPTION OF PART	NO. REQ.
	30	36-66-3251 Intermediate Shaft	(1)
	31	32-40-1411 Intermediate Gear	(1)
	32	40-50-3100 Drive Spring	(1)
	33	32-05-1101 Bevel Gear	(1)
	34	02-50-1630 Needle Bearing	(1)
	35	44-20-0060 Spindle Lock Assembly	(1)
	36	45-88-5320 Flat Washer	(1)
	37	28-14-1082 Gear Case	(1)
	38	06-81-7300 10-24x1-3/4 Fil. Hd. Sem	(4)
	39	43-62-0570 Side Handle	(1)
	40	32-05-1081 Bevel Gear	(1)
	41	02-04-1710 Ball Bearing	(1)
	42	34-60-1290 Retaining Ring	(1)
	43	42-74-0065 Spindle Lock Cog	(1)
★	44	02-04-2065 Ball Bearing	(1)
	45	38-50-3751 Spindle	(1)
	46	06-42-1200 Woodruff Key	(1)
	47	06-42-1600 Woodruff Key	(1)
	48	45-88-0220 Spindle Retaining Washer	(1)
	49	45-88-0141 Hub Thrust Washer	(1)
	50	45-88-0160 Spindle Rubber Washer	(6)
	51	06-81-6050 8-32x5/16 Fil. Hd. Sem	(1)
	52	49-36-2500 7" Rubber Backing Pad	(1)
	53	49-40-0160 Disc Nut	(1)
★	54	31-05-0100 Baffle	(1)
★	55	06-95-0215 8-18x1/2 Pan Hd. Thread Form Screw	(1)
	56	12-98-7081 Caution Plate (Not Shown)	(1)