



SERVICE PARTS LIST

BUL. 54-32-1008

POLISHER

REVISED BUL. 54-32-1007 DATE June '74

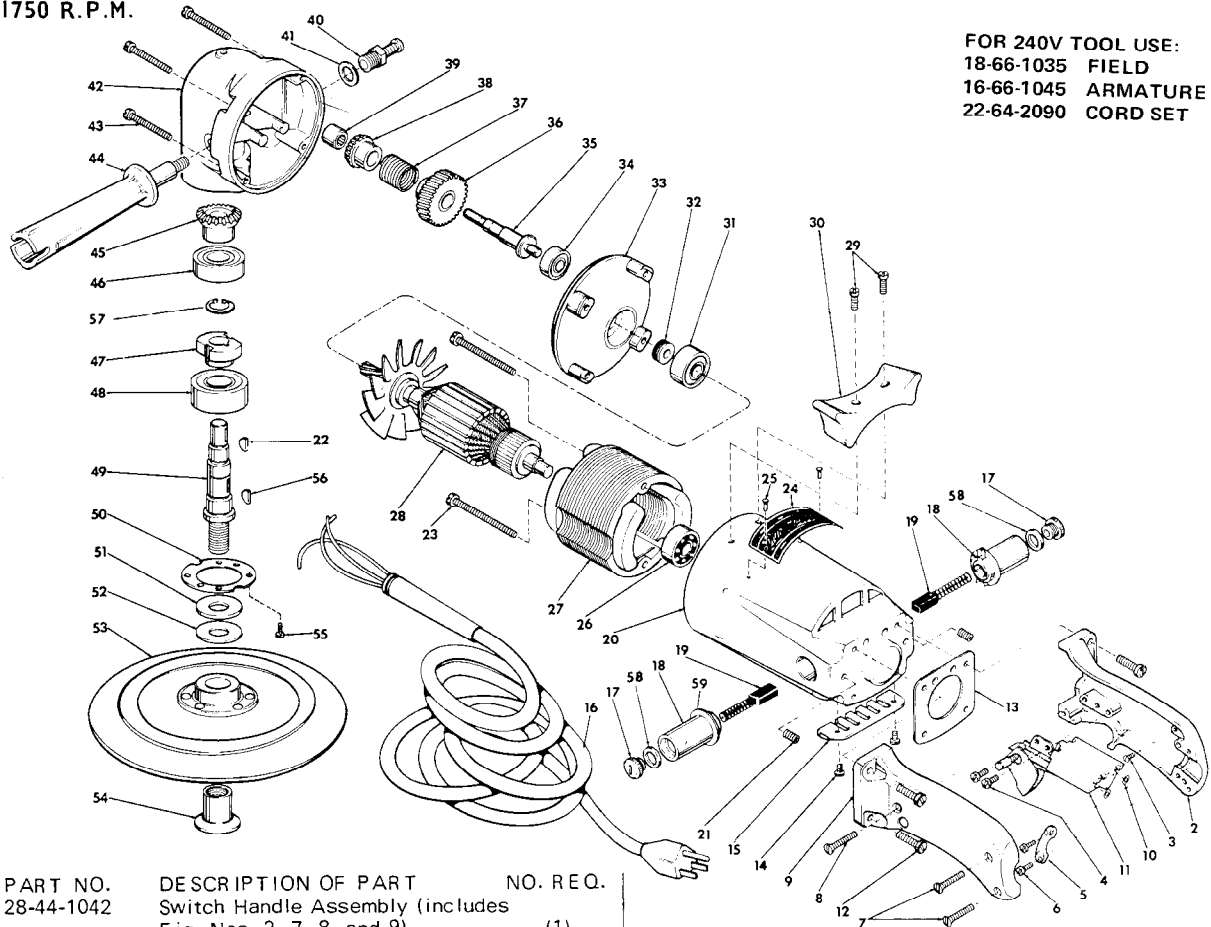
Catalog No. 5450

Starting Serial No. **100-22449**

WIRING INSTRUCTIONS **58-01-0300**

Specify Catalog and Serial No. when ordering parts

1750 R.P.M.



FOR 240V TOOL USE:
 18-66-1035 FIELD
 16-66-1045 ARMATURE
 22-64-2090 CORD SET

FIG.	PART NO.	DESCRIPTION OF PART	NO. REQ.
1	28-44-1042	Switch Handle Assembly (includes Fig. Nos. 2, 7, 8, and 9)	(1)
2	-	Handle (Switch Mount Side)	(1)
3	06-81-8625	6-32x1/4 Ground Screw	(1)
4	06-81-5400	8-32x5/16 Binder Sem	(2)
5	28-17-0200	Clamp Strap	(1)
6	06-81-6150	8-32x1/2 Fil. Hd. Sem	(2)
7	06-81-3700	8-32x7/8 Oval Hd. Screw	(2)
8	06-81-3750	8-32x1 Oval Hd. Screw	(1)
9	-	Handle (Switch Cover Side)	(1)
10	06-97-1800	Lockwasher	(4)
11	23-66-0160	Switch	(1)
12	06-81-7550	12-24x3/4 Fil. Hd. Sem	(4)
13	43-86-0050	Handle Insulator	(1)
14	06-81-8650	6-32x1/4 Rd. Hd. Sem	(2)
15	44-66-0230	Coverplate	(1)
16	22-64-0090	Cord Set	(1)
★17	23-44-0100	Brush Retaining Screw	(2)
★18	22-22-0231	Brush Holder Assy.	(2)
★19	22-18-0330	Carbon Brush Assy.	(2)
★20	28-50-4885	Motor Housing	(1)
★21	06-83-2620	1/4-20x1/4 Hdls. Set Screw	(2)
22	06-42-1200	Woodruff Key	(1)
23	06-81-8950	8-32x2-1/4 Rd. Hd. Sem	(2)
24	12-99-0032	Nameplate	(1)
★25	06-85-0200	6-1/4 Rd. Hd. Type Z Screw	(2)
26	02-04-0970	Ball Bearing	(1)
★27	18-62-1035	115 Volt Field	(1)
★28	16-62-1045	115 Volt Armature	(1)
29	06-81-6950	10-24x1/2 Fil. Hd. Sem	(2)
30	28-79-0321	Tool Rest	(1)
31	02-04-1070	Ball Bearing	(1)

FIG.	PART NO.	DESCRIPTION OF PART	NO. REQ.
32	45-28-0070	Grease Slinger	(1)
33	28-28-1101	Diaphragm	(1)
34	02-04-0910	Ball Bearing	(1)
35	36-66-3251	Intermediate Shaft	(1)
★36	32-40-1411	Intermediate Gear	(1)
37	40-50-3100	Drive Spring	(1)
38	32-05-1101	Bevel Gear (Sold w/fig. 45 as a set)	(1)
39	02-50-1630	Needle Bearing	(1)
40	44-20-0060	Spindle Lock Assembly	(1)
41	45-88-5320	Flat Washer	(1)
42	28-14-1082	Gear Case	(1)
43	06-81-7300	10-24x1-3/4 Fil. Hd. Sem	(4)
★44	43-62-0570	Side Handle	(1)
45	32-05-1081	Bevel Gear (Refer to fig. 38)	(1)
46	02-04-1710	Ball Bearing	(1)
47	42-74-0065	Spindle Lock Cog	(1)
48	02-04-2060	Ball Bearing	(1)
49	38-50-3751	Spindle	(1)
50	45-88-0220	Retaining Washer	(1)
51	45-88-0141	Thrust Washer	(1)
52	45-88-0160	Rubber Washer	(1)
53	49-36-2500	7 in. Rubber Backing Pad	(1)
★54	49-40-0160	Disc Nut	(1)
55	06-81-6050	8-32x5/16 Fil. Hd. Sem	(6)
56	06-42-1600	Woodruff Key	(1)
★57	34-60-1290	Retaining Ring	(1)
★58	43-44-0180	Brush Cap Gasket	(2)
59	23-86-0075	Washer	(2)
★60	12-98-7081	Caution Plate (Not Shown)	(1)