



SERVICE PARTS LIST

BUL. 54-24-1551

SPEED CONTROL HAMMER DRILL

REVISED BUL. 54-24-1550 DATE Jan. '74

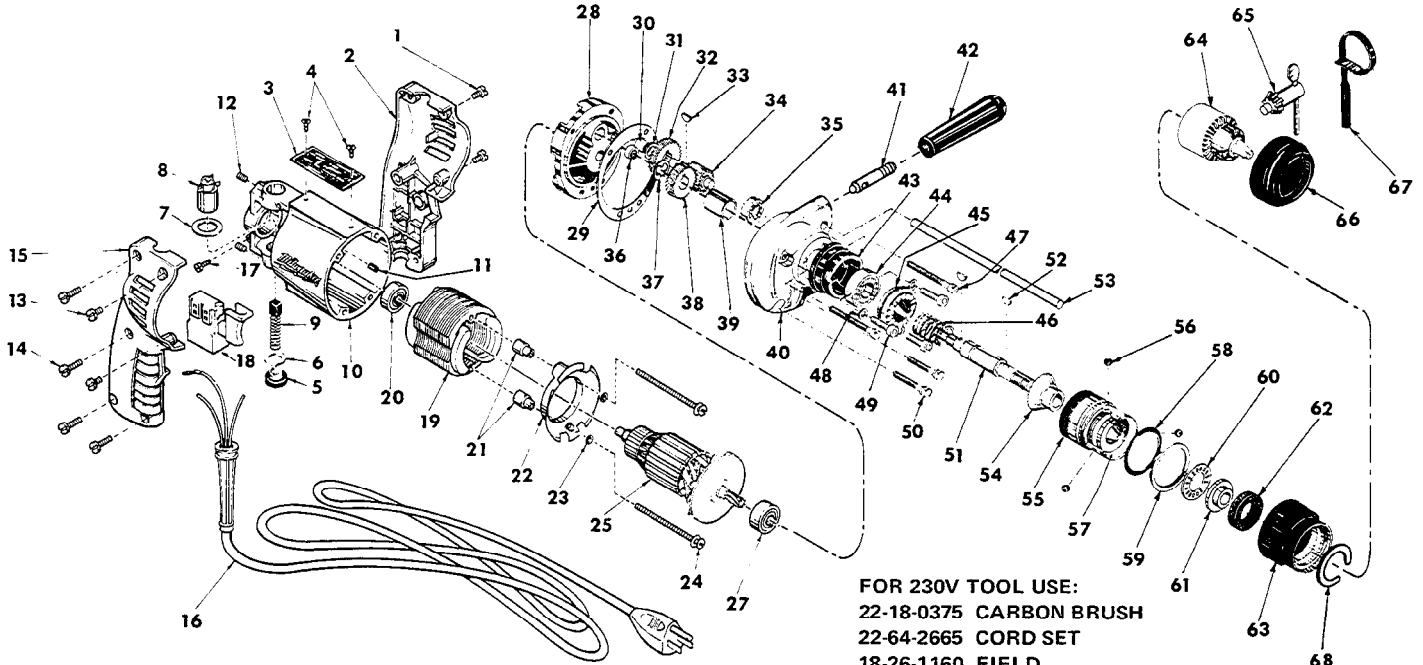
Catalog No. 5392

Starting Serial No. **456-5078**

WIRING INSTRUCTIONS **58-01-0646**

Specify Catalog and Serial No. when ordering parts

0-2500 R.P.M.



FOR 230V TOOL USE:
 22-18-0375 CARBON BRUSH
 22-64-2665 CORD SET
 18-26-1160 FIELD
 16-26-1290 ARMATURE

FIG.	PART NO.	DESCRIPTION OF PART	NO. REQ.	FIG.	PART NO.	DESCRIPTION OF PART	NO. REQ.
	1	8-32x3/8 Pan Hd. Screw	(2)	35	02-04-0640	Ball Bearing	(1)
★	2	31-44-0290 L. H. Handle Half	(1)	36	02-50-1610	Needle Bearing	(1)
	3	12-99-0023 Nameplate	(1)	37	34-60-0800	Retaining Ring	(1)
	4	06-85-0200 6x1/4 Rd. Hd. Type Z Screw	(2)	38	32-75-2711	Spindle Gear	(1)
	5	23-44-0060 Brush Retaining Screw	(2)	39	45-36-0611	Spindle Spacer	(1)
	6	23-86-0050 Washer	(2)	40	28-14-1322	Gear Case Assembly	(1)
	7	23-86-0105 Washer	(2)	41	45-58-0220	Clamping Stud	(1)
	8	22-22-0271 Brush Holder Assembly	(2)	42	43-62-0465	Handle	(1)
★	9	22-18-0155 Split Carbon Brush Assembly	(2)	43	31-86-0111	Spacer	(1)
	10	28-50-6091 Motor Housing (Includes Fig. 11)	(1)	44	02-08-0510	Ball Bearing	(1)
	11	45-30-0120 Ball Brg. Retaining Slug	(1)	45	44-84-0071	Fixed Ratchet	(1)
	12	06-83-2430 10-32x1/4 Hdls. Skt. Screw	(2)	46	40-50-7680	Ratchet Spring	(1)
	13	06-81-0450 8-32x3/8 Pan Hd. Screw	(2)	47	06-81-6740	8-32x2 Fil. Hd. Sem	(2)
	14	06-81-0400 8-32x3/4 Pan Hd. Screw	(4)	48	06-97-3200	Lock Washer	(3)
★	15	31-44-0280 R. H. Handle Half	(1)	49	06-75-2060	8-32x5/8 Soc. Hd. Cap Screw	(3)
★	16	22-64-0665 Cord Set	(1)	50	06-81-6500	8-32x1-3/8 Fil. Hd. Sem	(2)
	17	06-81-8625 6-32x1/4 Ground Screw	(1)	51	38-50-5013	Spindle	(1)
★	18	23-66-0925 Switch	(1)	52	06-42-0800	Woodruff Key	(2)
	19	18-22-1160 115 V. Field	(1)	53	44-94-0161	Depth Rod	(1)
	20	02-04-0740 Ball Bearing	(1)	54	44-84-0066	Rotating Ratchet	(1)
	21	45-36-0601 Baffle Spacer	(2)	55	45-22-0281	Sleeve	(1)
	22	31-05-0010 Baffle	(1)	56	02-02-0180	3/16 Inch Steel Ball	(3)
	23	45-88-7170 Washer	(2)	57	45-36-0592	Shift Spacer	(1)
	24	06-81-8695 6-32x2-7/16 Rd. Hd. Sem	(2)	58	34-40-1500	O-Ring	(1)
	25	16-22-1290 115 V. Armature (Includes Fig. 26)	(1)	59	34-60-2125	Retaining Ring	(1)
	26	22-84-0440 Fan Assembly	(1)	60	02-80-1200	Thrust Bearing	(1)
	27	02-04-0880 Ball Bearing	(1)	61	45-36-0621	Thrust Spacer	(1)
	28	28-28-1441 Diaphragm	(1)	62	45-06-0160	Felt Seal	(1)
	29	43-44-0280 Gasket	(1)	63	42-76-0181	Shift Collar Assembly	(1)
	30	02-50-1210 Needle Bearing	(1)	64	48-66-0810	3/8" Chuck-3/8-24 Thread (Includes Fig. 65)	(1)
	31	45-88-7160 Thrust Washer	(1)	65	48-66-3240	Chuck Key	(1)
	32	32-40-1041 Intermediate Gear	(1)	66	49-62-0090	Hammer Dust Shield	(1)
	33	06-42-0400 Woodruff Key	(1)	67	48-66-4040	Key Holder	(1)
	34	36-66-4091 Intermediate Pinion Shaft	(1)	★ 68	44-86-0190	Retainer	(1)
				★ 69	12-98-7081	Caution Plate (Not Shown)	(1)