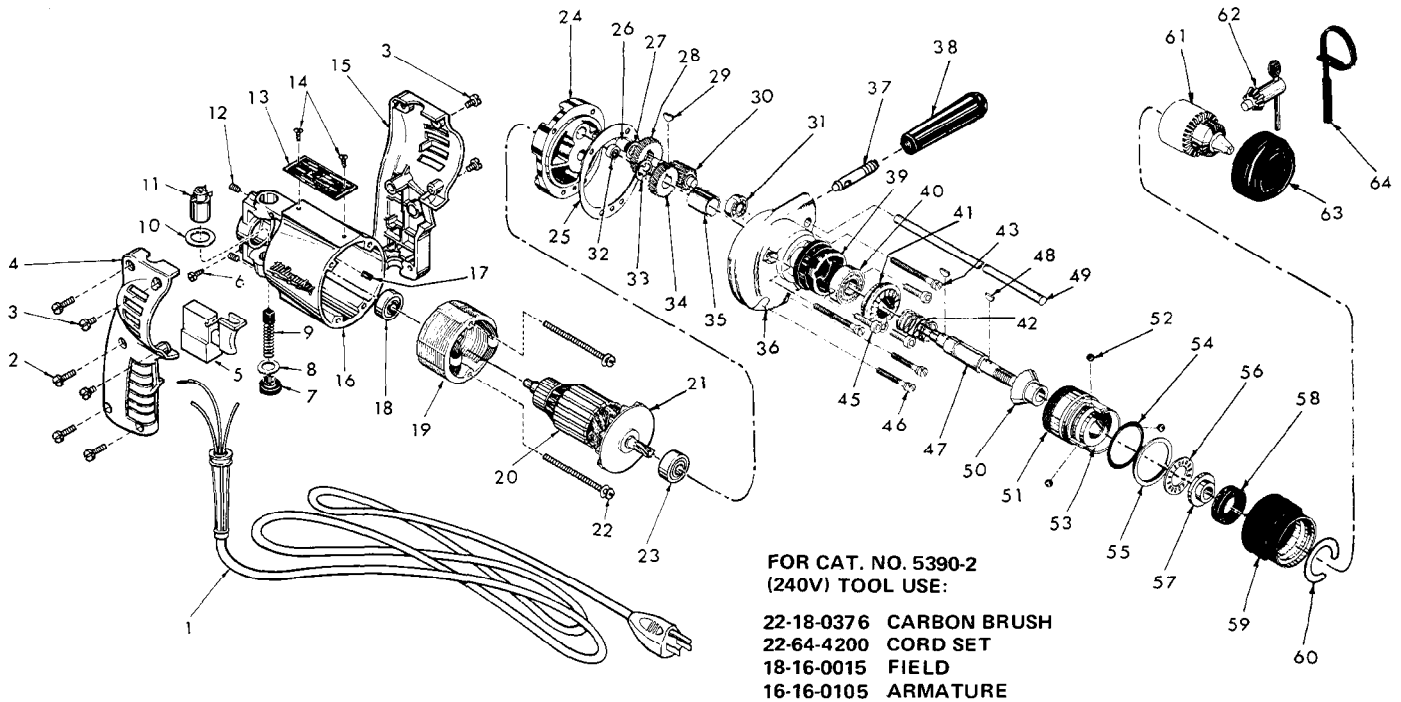




# SERVICE PARTS LIST

**BULLETIN NO.  
54-24-1507**

|  |  |                                      |                            |
|--|--|--------------------------------------|----------------------------|
| SPECIFY CATALOG NO. AND SERIAL NO. WHEN ORDERING PARTS |  | REVISED BULLETIN<br>54-24-1506       | DATE<br>April '85          |
| <b>SINGLE SPEED HAMMER DRILL</b>                       |  |                                      |                            |
| <b>CATALOG NO. 5390</b>                                |  | STARTING SERIAL NO. <b>422-61500</b> |                            |
| CAT. NO. 5390-6  |  | START SER. NO. 422-61500             | BILINGUAL LABEL 10-98-6400 |



**FOR CAT. NO. 5390-2  
(240V) TOOL USE:**

- 22-18-0376 CARBON BRUSH
- 22-64-4200 CORD SET
- 18-16-0015 FIELD
- 16-16-0105 ARMATURE

| FIG. | PART NO.   | DESCRIPTION OF PART                | NO. REQ. | FIG. | PART NO.   | DESCRIPTION OF PART                                  | NO. REQ. |
|------|------------|------------------------------------|----------|------|------------|--|----------|
| 1    | 22-64-0665 | Cord Set                           | (1)      | 34   | 32-75-2711 | Spindle Gear   | (1)      |
| ★ 2  | 06-95-0220 | 8-18x3/4 Thread Form Screw         | (4)      | 35   | 45-36-0611 | Spindle Spacer                                       | (1)      |
| ★ 3  | 06-95-0209 | 8-32 x 3/8 Taptite Screw           | (4)      | 36   | 28-14-1322 | Gear Case Assembly                                   | (1)      |
| ★ 4  | 31-44-1360 | R. H. Handle Half                  | (1)      | 37   | 45-58-0220 | Clamping Stud  | (1)      |
| 5    | 23-66-0515 | Switch                             | (1)      | 38   | 43-62-0465 | Handle   | (1)      |
| 6    | 06-81-8625 | 6-32x1/4 Ground Screw              | (1)      | 39   | 31-86-0111 | Spacer   | (1)      |
| 7    | 23-44-0061 | Brush Retaining Screw              | (2)      | 40   | 02-08-0510 | Ball Bearing   | (1)      |
| 8    | 23-86-0050 | Washer                             | (2)      | 41   | 44-84-0071 | Fixed Ratchet  | (1)      |
| 9    | 22-18-0362 | Carbon Brush Assembly              | (2)      | 42   | 40-50-7680 | Ratchet Spring                                       | (1)      |
| 10   | 23-86-0105 | Washer                             | (2)      | 43   | 06-81-6740 | 8-32x2 Fil. Hd. Sem                                  | (2)      |
| 11   | 22-22-1271 | Brush Holder Assembly              | (2)      | 44   |            |  |          |
| 12   | 06-83-2430 | 10-32x1/4 Hdls. Skt. Screw         | (2)      | 45   | 06-75-2060 | 8-32x5/8 Soc. Hd. Cap Screw                          | (3)      |
| ★ 13 | 12-99-0029 | Nameplate                          | (1)      | 46   | 06-81-1006 | 8-32x1-3/8 Fil. Hd. Sem                              | (2)      |
| 14   | 06-85-0200 | 6x1/4 Rd. Hd. Type Z Screw         | (2)      | 47   | 38-50-5013 | Spindle  | (1)      |
| ★ 15 | 31-44-1355 | L. H. Handle Half                  | (1)      | 48   | 06-42-0800 | Woodruff Key   | (2)      |
| ★ 16 | 28-50-6096 | Motor Housing (Includes Fig. 17)   | (1)      | 49   | 44-94-0161 | Depth Rod  | (1)      |
| 17   | 45-30-0120 | Ball Brg. Retaining Slug           | (1)      | 50   | 44-84-0066 | Rotating Ratchet                                     | (1)      |
| 18   | 02-04-0740 | Ball Bearing                       | (1)      | 51   | 45-22-0281 | Sleeve   | (1)      |
| ★ 19 | 18-10-0025 | 120 V. Field                       | (1)      | 52   | 02-02-0180 | 3/16 Inch Steel Ball                                 | (3)      |
| ★ 20 | 16-10-0575 | 120 V. Armature (Includes Fig. 21) | (1)      | 53   | 45-36-0592 | Shift Spacer   | (1)      |
| 21   | 22-84-0440 | Fan Assembly                       | (1)      | 54   | 34-40-1500 | O-Ring   | (1)      |
| ★ 22 | 06-81-5951 | 6-32x1-7/8 Pan Hd. Sem             | (2)      | 55   | 34-60-2125 | Retaining Ring                                       | (1)      |
| 23   | 02-04-0880 | Ball Bearing                       | (1)      | 56   | 02-80-1200 | Thrust Bearing                                       | (1)      |
| 24   | 28-28-1441 | Diaphragm                          | (1)      | 57   | 45-36-0621 | Thrust Spacer  | (1)      |
| 25   | 43-44-0280 | Gasket                             | (1)      | 58   | 45-06-0160 | Felt Seal  | (1)      |
| 26   | 02-50-1210 | Needle Bearing                     | (1)      | 59   | 42-76-0181 | Shift Collar Assembly                                | (1)      |
| 27   | 45-88-7280 | Thrust Washer                      | (1)      | 60   | 44-86-0190 | Retainer   | (1)      |
| 28   | 32-40-1041 | Intermediate Gear                  | (1)      | 61   | 48-66-0810 | 3/8" Chuck-3/8-24 Thread<br>(Includes Fig. 62)       | (1)      |
| 29   | 06-42-0400 | Woodruff Key                       | (1)      | 62   | 48-66-3240 | Chuck Key  | (1)      |
| 30   | 36-66-4091 | Intermediate Pinion Shaft          | (1)      | 63   | 49-62-0090 | Hammer Dust Shield                                   | (1)      |
| 31   | 02-04-0640 | Ball Bearing                       | (1)      | 64   | 48-66-4040 | Key Holder   | (1)      |
| 32   | 02-50-1610 | Needle Bearing                     | (1)      | ★ 65 | 10-98-5987 | Caution Label (Not Shown)<br>Omit For Canadian Tools | (1)      |
| 33   | 34-60-0800 | Retaining Ring                     | (1)      |      |            |  |          |