



# SERVICE PARTS LIST

**BULLETIN NO.**  
**54-24-0150**

SPECIFY CATALOG NO. AND SERIAL NO. WHEN ORDERING PARTS		REVISED BULLETIN	DATE
<b>3/8" REV. MAGNUM HAMMER-DRILL</b>			Oct. '86
<b>CATALOG NO. 5372-1</b>	<b>STARTING SERIAL NO. 714-1001</b>	<b>WIRING INSTRUCTION</b>	
		<b>58-01-0121</b>	

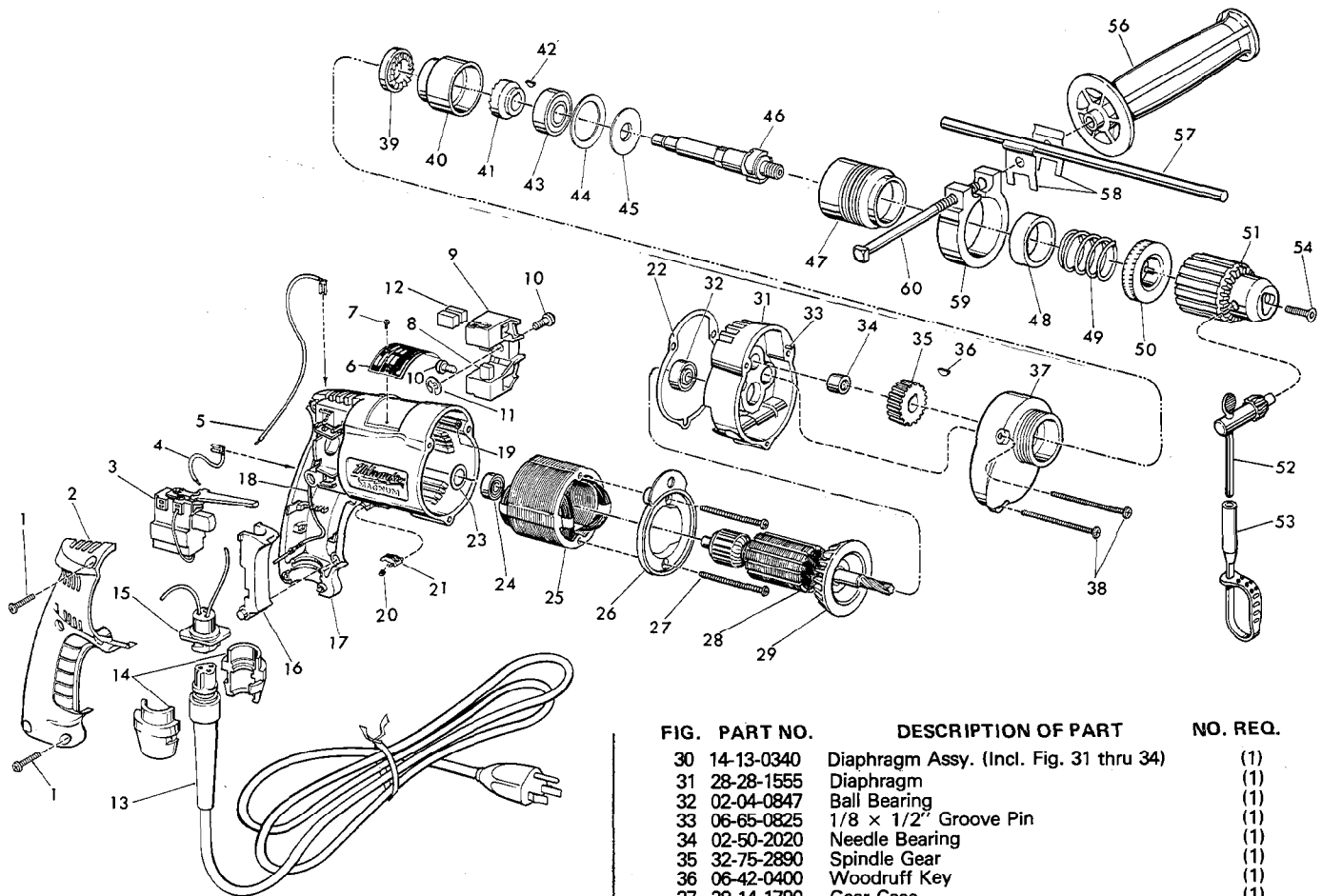


FIG. PART NO.	DESCRIPTION OF PART	NO. REQ.
1 06-95-0185	7-18 x 11/16" Plastite Screw	(5)
2 31-15-0101	Handle Cover	(1)
3 23-66-1355	Trigger Speed Control Reversing Switch	(1)
4 23-94-9635	2-1/4" Lead Assembly	(1)
5 23-94-9640	7" Lead Assembly	(1)
6 12-99-0225	Nameplate Blank	(1)
7 06-85-0200	Nameplate Screw	(2)
8 22-16-0300	Carbon Brush	(2)
9 22-22-0355	Brush Holder Assy. (Incl. Fig. 10 thru 12)	(1)
10 31-75-0011	Brush Holder Screw	(2)
11 34-60-0500	1/4" External Retaining Ring	(1)
12 22-16-0300	Carbon Brush (Spares)	(2)
13 48-76-3008	8 Foot Quik-Lok Cord Set (Incl. Fig. 14)	(1)
14 44-40-0440	Cord Nut Half	(2)
15 22-56-0302	Pin Housing Assembly	(1)
16 45-72-0080	Trigger	(1)
17 14-38-0355	Motor Housing Assy. (Incl. Fig. 18 & 19)	(1)
18 23-94-9686	Ground Wire Assembly	(1)
19 44-60-0570	Grounding Pin	(1)
20 40-50-0085	Lock Button Spring	(1)
21 42-42-0150	Lock Button	(1)
22 43-44-0576	Gasket	(1)
23 45-88-7800	Gasket Washer	(1)
24 02-04-0645	Ball Bearing	(1)
25 18-10-0045	120 Volt Field	(1)
26 31-05-0065	Baffle	(1)
27 06-95-0140	7 x 1-7/8" Pan Hd. Screw	(2)
28 16-10-0520	120 Volt Armature (Incl. Fig. 29)	(1)
29 22-84-0650	Fan Assembly	(1)

FIG. PART NO.	DESCRIPTION OF PART	NO. REQ.
30 14-13-0340	Diaphragm Assy. (Incl. Fig. 31 thru 34)	(1)
31 28-28-1555	Diaphragm	(1)
32 02-04-0847	Ball Bearing	(1)
33 06-65-0825	1/8 x 1/2" Groove Pin	(1)
34 02-50-2020	Needle Bearing	(1)
35 32-75-2890	Spindle Gear	(1)
36 06-42-0400	Woodruff Key	(1)
37 28-14-1790	Gear Case	(1)
38 06-95-0150	7-18 x 2-3/16" Lg. Pan Hd. Screw	(3)
39 44-84-0165	Fixed Ratchet	(1)
40 42-52-0250	Bearing Housing	(1)
41 44-84-0160	Rotating Ratchet	(1)
42 06-42-1200	Woodruff Key	(1)
43 02-04-1536	Ball Bearing	(1)
44 45-88-7350	Bearing Retainer Washer	(1)
45 45-88-7365	Spring Support Washer	(1)
46 38-50-5570	Spindle	(1)
47 45-22-0405	Sleeve (Left Hand Thread)	(1)
48 45-88-7375	Felt Washer	(1)
49 40-50-4950	Spring	(1)
50 42-76-0200	Locking Collar	(1)
51 48-66-0795	3/8" Reversing Chuck (Incl. Fig. No. 52)	(1)
52 48-66-3240	Chuck Key	(1)
53 48-66-4040	Key Holder	(1)
54 45-04-0750	Chuck Screw	(1)
55 14-34-0250	Side Handle Assy. (Incl. Fig. 56 thru 60)	(1)
56 43-62-0865	Side Handle	(1)
57 44-94-0161	Depth Rod	(1)
58 42-68-0390	Depth Gauge Clamp	(2)
59 28-82-0150	Handle Ring	(1)
60 42-32-0160	5/16 - 18 x 3-1/2" Square Hd. Bolt	(1)
61 10-98-5986	Warning Label (Not Shown)	(1)