

SERVICE PARTS LIST

BUL. 54-24-3003

ROTARY HAMMER

REVISED BUL. 54-24-3002 DATE Sept. '73

Catalog No. 5350

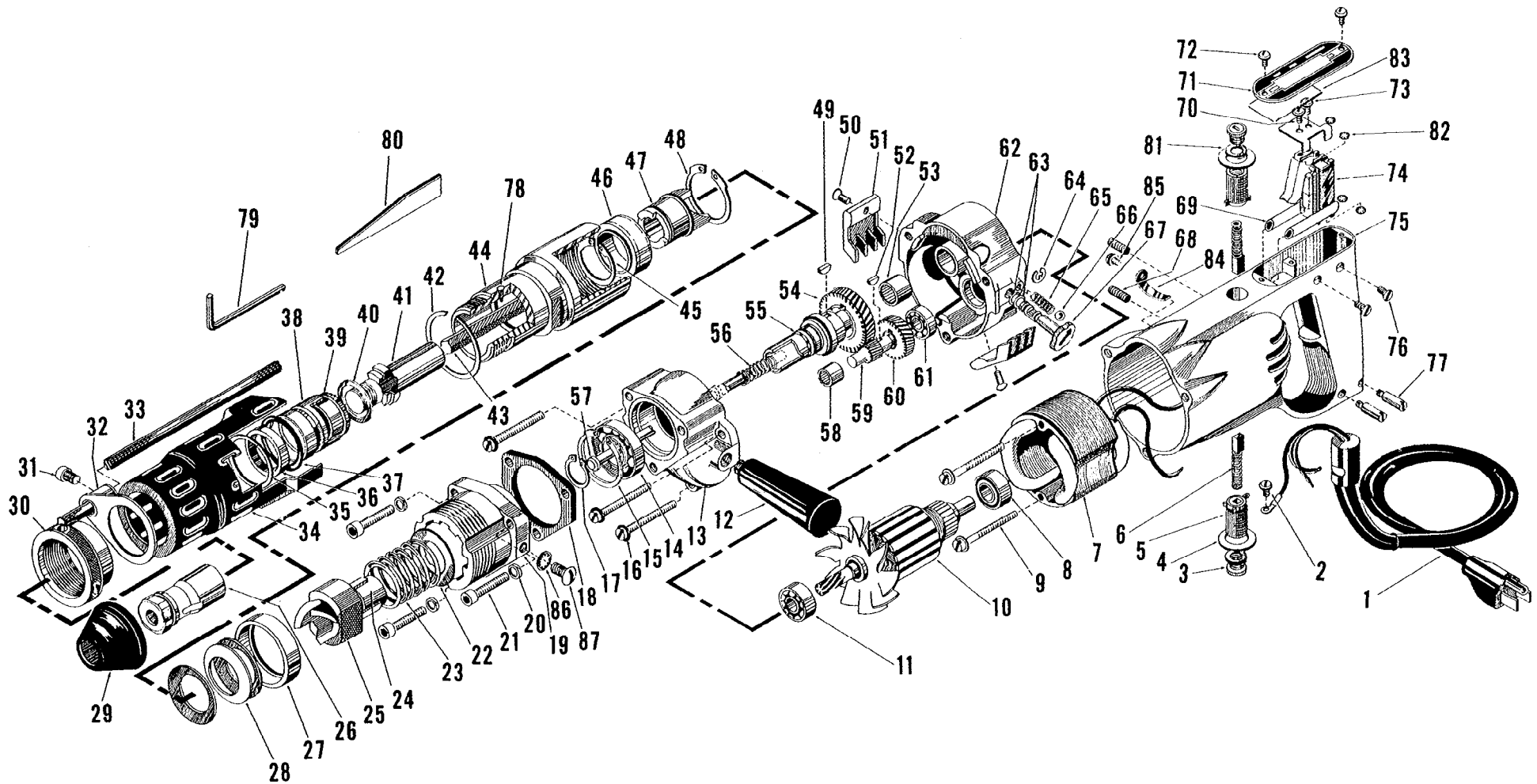
Starting Serial No. **389-8260**

WIRING INSTRUCTIONS **58-01-0180**

Specify Catalog and Serial No. when ordering parts

ILLUSTRATION ON REVERSE SIDE

FIG.	PART NO.	DESCRIPTION OF PART	FIG.	PART NO.	DESCRIPTION OF PART
1	22-64-0180	Cord Set	43	43-12-0080	Hex Driver
2	06-81-8625	6-32x1/4 Rd. Hd. (Bronze) Ground Screw	44	45-22-0252	Sleeve Assembly
3	23-44-0060	Brush Retaining Screw (2)	45	34-60-2020	Cam Retaining Ring
4	23-86-0110	Insulating Washer (2)	46	02-20-4000	Ball Bearing
5	22-22-0080	Brush Holder Assembly (2)	★47	30-15-0075	Cam
6	22-18-0100	Carbon Brush Assembly (2)	48	34-80-3100	Cam Bearing Retaining Ring
7	18-42-1200	Field Assembly	49	06-42-0800	Woodruff Key
8	02-04-0970	Ball Bearing	50	06-81-3620	8-32x1/2 Oval Hd. Vent Cover Scs. (2)
9	06-81-7325	10-24x2 Fil.Hd. Sem Field Screws (2)	51	31-15-0050	Vent Cover (2)
10	16-42-1360	Armature Assembly	52	06-42-0800	Woodruff Key
11	02-04-0940	Ball Bearing	53	02-50-3100	Needle Bearing
12	43-62-0410	Handle	54	32-75-2681	Spindle Gear
13	28-14-1312	Gear Case Assembly	55	38-50-4972	Spindle Assembly
14	02-08-0750	Ball Bearing	56	40-50-7610	Shift Pin Spring
15	34-80-3100	Spindle Bearing Retaining Ring	57	44-60-0370	Shift Pin
16	06-81-7610	12-24x2-3/8 Fil. Hd. Gear Case Sem.(3)	58	02-50-2010	Needle Bearing
17	34-60-1600	Spindle Retaining Ring	59	36-66-4026	Int. Pinion Shaft
18	43-44-0260	Gasket	60	32-42-1291	Intermediate Gear
19	43-76-0211	Ram Housing Assy. (Includes items 86 &87)	61	02-04-0820	Ball Bearing
20	06-97-4050	1/4 Split Ring Lockwasher (3)	62	28-28-1431	Diaphragm
21	06-75-3200	1/4-20x1 1/4 Soc.Hd. Ram Hsg. Cap Sc. (3)	63	34-40-0900	Shift Shaft "O" Ring (2)
22	45-88-7030	Ram Spring Washer	64	34-60-0535	Shift Shaft Retaining Ring
23	40-50-7630	Ram Spring	65	40-50-1200	Shift Shaft Index Spring
24	42-40-0431	Ram Bushing	66	02-02-0180	3/16 Steel Ball
25	30-75-0072	Ram Assembly (includes item 24)	67	45-08-0101	Shift Shaft
26	48-03-3610	Adapter ("A" Taper)	68	06-83-2670	1/4-20x1/2 Soc.Hd. Brush Holder Set Sc. (2)
27	43-76-0221	Buffer Spring Housing	69	23-48-7326	Field Wire Sleeve (2)
28	40-50-7620	Ram Buffer Disc Spring (3)	70	42-36-0170	Switch Bracket
29	49-62-0080	Dust Shield	71	12-98-0500	Name Plate
30	44-40-0301	Sleeve Nut	72	06-81-8400	4-40x1/4 Rd.Hd. Sem Name Plate Scs. (2)
31	06-75-2900	1/4-20x3/8 Soc.Hd.Depth Gauge Cap Screw	73	06-81-8650	6-32x1/4 Rd.Hd. Sem Switch Bracket Scs. (2)
32	43-46-0130	Depth Gauge Assembly	74	23-66-0580	Switch w/screws
33	44-94-0140	Depth Gauge Rod	75	28-50-4686	Motor Housing
34	31-55-0050	Shield	76	06-81-3400	6-32x1/4 Oval Hd.Switch Locating Scs. (2)
35	34-80-2925	Nose Housing Retaining Ring	77	45-04-0100	Cord Retaining Screws (2)
36	45-06-0150	Grease Seal	78	06-77-0625	1/8 Drive Screw (2)
37	34-40-1400	Nose Housing "O" Ring	79	49-96-0080	Socket Wrench
38	43-76-0252	Nose Housing Assembly (includes item 39)	80	48-86-0050	Drift Key
39	42-40-0421	Nose Housing Bushing	81	23-86-0050	Rubberized Retaining Washer (2)
40	45-88-7040	Thrust Washer	82	06-97-1800	#6 Internal Tooth Lockwasher (4)
★41	38-50-5005	Chuck Spindle Assembly	83	23-16-0390	Switch Insulator
42	34-60-2250	Sleeve Retaining Ring	84	42-70-0080	Key Clip
			85	06-81-8650	6-32x1/4 Rd.Hd. Sem Key Clip Screw
			86	06-97-2600	Internal Tooth Lockwasher
			87	06-81-4700	1/4-20x1/2 Round Head Screw



PARTS LIST ON REVERSE SIDE