



# SERVICE PARTS LIST

**BULLETIN NO.**  
54-22-1150

<b>1 H.P. BENCH GRINDER</b>		REVISED BULLETIN	DATE
			May '93
<b>CATALOG NO.</b> 5081	<b>MOTOR REF. NO.</b> 604479M	<b>WIRING INSTRUCTION</b> 58-01-0025	

**PARTS ORDERS MUST INCLUDE:**

**CATALOG NO.**  
**MOTOR REF. NO.** (FROM NAMEPLATE)

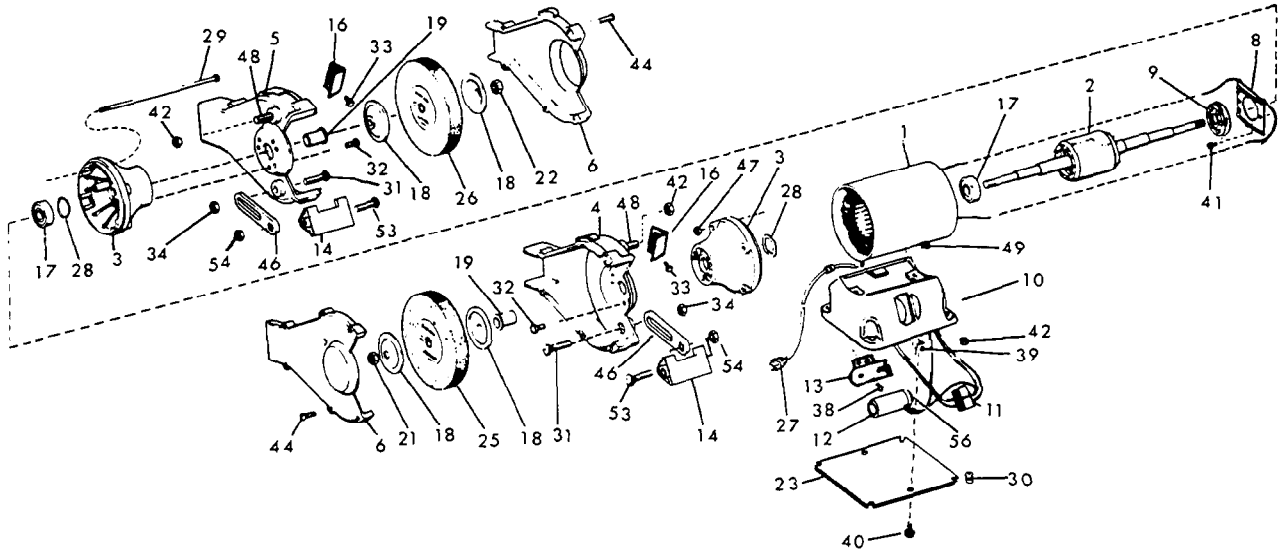


FIG.	PART NO.	DESCRIPTION OF PART	NO. REQ.	FIG.	PART NO.	DESCRIPTION OF PART	NO. REQ.
1	--	Wound Stator with Frame	(1)	27	22-64-2790	Cord Set	(1)
2	23-40-0580	Rotor and Shaft Assembly	(1)	28	40-50-7662	Finger Spring	(2)
3	42-25-0235	End Shield	(1)	29	06-75-0072	Thru Bolt	(4)
4	43-54-0146	L.H. Wheel Guard	(1)	30	42-38-0086	Base Bumper	(4)
5	43-54-0145	R.H. Wheel Guard	(1)	31	06-10-1025	5/16-18 x 1 Carriage Bolt	(2)
6	42-92-0125	Wheel Guard Cover	(1)	32	06-75-0500	3/8-16 x 1 Hex Hd. Bolt	(6)
8	23-66-1280	Stationary Switch	(1)	33	06-81-3197	1/4-20 x 3/8 Self Lock Screw	(2)
9	23-66-1285	Rotating Switch	(1)	34	06-57-5040	5/16-18 Hex Lock Nut	(2)
10	42-20-0600	Base	(1)	38	06-81-2810	10-32 x 1/2 Flat Hd. Screw	(2)
11	23-66-1290	On-Off Switch	(1)	39	06-81-5375	8-32 x 1/4 Ground Screw	(1)
12	22-33-0050	Capacitor	(1)	40	06-81-0452	8-32 x 3/8 Pan Hd. Screw	(2)
13	22-40-0100	Capacitor Bracket	(1)	41	06-81-0452	8-32 x 3/8 Pan Hd. Screw	(2)
14	44-85-0170	Tool Rest	(2)	42	06-55-1985	5/16-18 Hex Nut	(6)
16	45-12-0126	Spark Guard	(2)	44	06-81-4730	1/4-20 x 7/8 Round Hd. Screw	(12)
17	02-04-5055	Bearing	(2)	46	42-36-1360	Tool Rest Support	(2)
18	43-34-0151	Wheel Flange	(4)	47	06-57-6060	10-32 Whiz Lock Nut	(4)
19	45-36-0571	Spacer Sleeve	(2)	48	06-10-3230	5/16-18 x 1-3/8 Carriage Bolt	(2)
21	06-55-3725	L.H. 3/4-16 Hex Nut	(1)	49	06-10-1025	5/16-18 x 1 Carriage Bolt	(2)
22	06-55-3700	R.H. 3/4-16 Hex Nut	(1)	53	06-10-1200	3/8-16 x 1 Carriage Bolt	(2)
23	42-92-0055	Base Cover	(1)	54	06-57-5165	3/8-16 Hex Lock Nut	(2)
25	--	Grinding Wheel	(1)	56	42-52-0280	Capacitor Cap	(1)
26	--	Grinding Wheel	(1)				