



SERVICE PARTS LIST

BUL.54-22-0040

3/4 H.P. BENCH GRINDER

REVISED BUL
6101-1

DATE
May '68

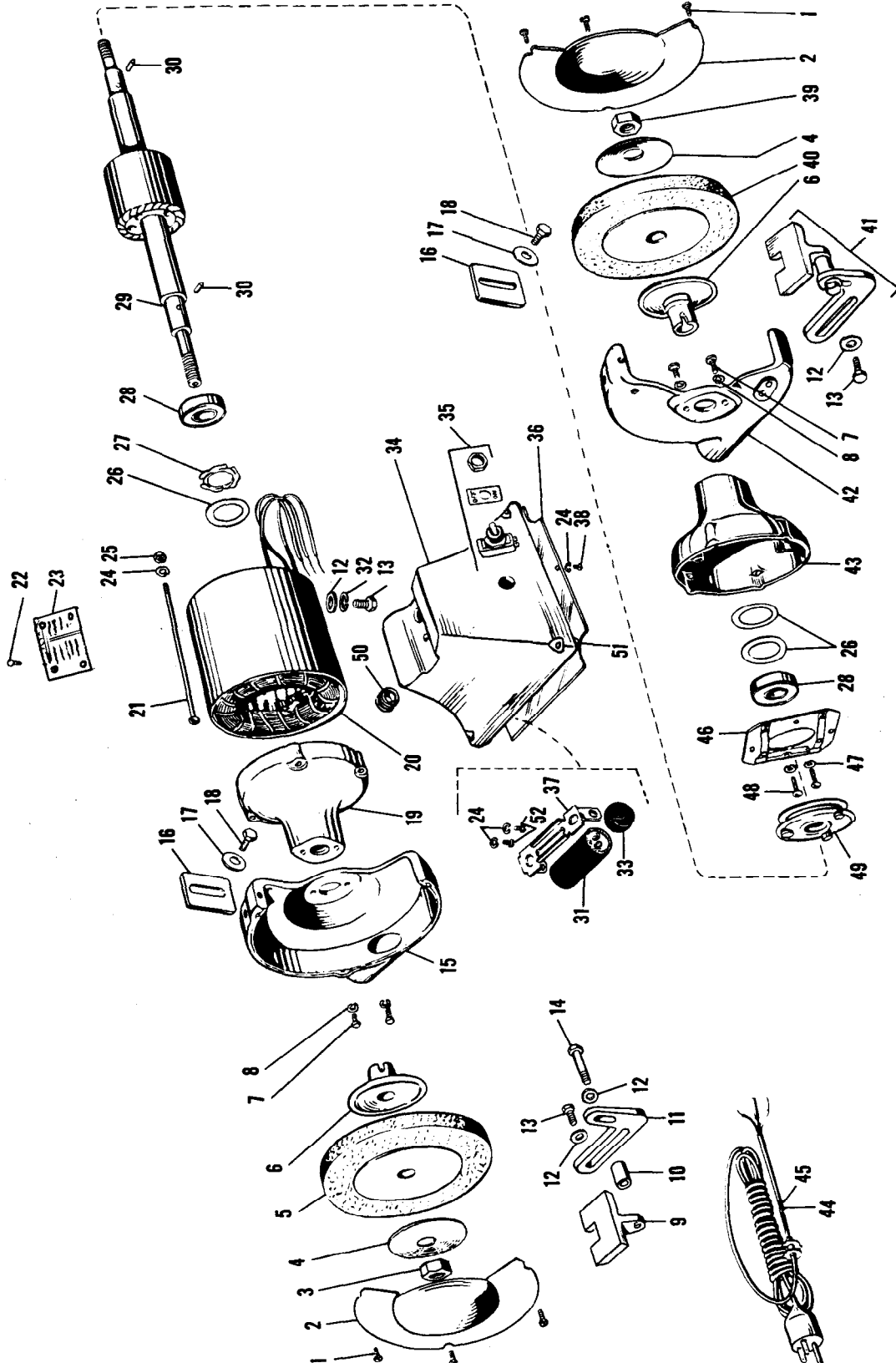
Catalog No. 5040

MODEL
REF. NO. 62178

WIRING INSTR.

Both Model and Serial No. must be furnished to obtain correct parts.

115/230 VOLT SINGLE PHASE





SERVICE PARTS LIST

BENCH GRINDER

When ordering replacement parts, please give complete motor identification number off name plate of tool.

ILLUSTRATED PARTS

FIG.	PART NO.	DESCRIPTION OF PART	FIG.	PART NO.	DESCRIPTION OF PART
1	06-81-4693	Rd. Hd. Screw	27	40-50-0050	Bearing Loading Spring
2	42-92-0040	Wheel Guard Cover	28	02-04-5050	Ball Bearing
3	06-55-3325	L.H. Hex Nut	29	23-40-0280	Rotor Assembly
4	43-34-0046	Outer Wheel Flange	30	06-65-1528	Roll Pin
5	See Catalog	Grinding Wheel	31	22-33-0070	Capacitor
6	43-34-0045	Inner Wheel Flange	32	06-97-4125	Lockwasher
7	06-75-0310	Cap Screw	33	22-32-0010	Capacitor End Cap
8	06-97-4100	Lockwasher	34	42-20-0280	Base Casting
9	44-85-0100	Tool Rest	35	23-66-0650	Toggle Switch
10	45-36-0550	Spacer	36	42-92-0030	Base Cover
11	42-09-0060	Tool Rest Arm	37	22-40-0010	Capacitor Mtg. Clip
12	45-88-5261	Lock Washer	38	06-81-4650	Rd.Hd. Screw
13	06-75-0485	Cap Screw	39	06-55-3300	R.H. Hex Nut
14	06-75-0490	Cap Screw	40	See Catalog	Grinding Wheel
15	43-54-0070	L.H. Wheel Guard	41	44-85-0100	Tool Rest Assembly
16	43-54-0067	Spark Guard	42	43-54-0075	R.H. Wheel Guard
17	45-88-5220	Washer	43	42-25-0120	R.H. Motor Endshield
18	06-75-0075	Cap Screw	44	22-64-0580	Plug and Cord (3 wire)
19	42-25-0071	L.H. Motor End Shield	46	23-66-0670	Stationary Switch
20	23-58-0320	Stator Assembly	47	06-97-3200	Lock Washer
21	06-75-0064	Hex Hd. Thru Bolt	48	06-81-4566	Rd.Hd. Screw
22	44-60-0290	Name Plate Pin	49	23-60-0620	Rotating Switch
23	12-98-0400	Name Plate	50	22-90-0110	Grommet
24	06-97-3400	Lock Washer	51	42-38-0020	Bumper
25	06-55-1100	Hex Nut	52	06-81-4650	Flat Head Screw
26	45-14-0110	Shim Washer			

MISCELLANEOUS PARTS NOT SHOWN

PART NO.	DESCRIPTION OF PART	PART NO.	DESCRIPTION OF PART
★23-16-0410	Switch Insulator	★06-55-2400	3/8-16 Hex Nut
★06-81-4567	8-32x3/8 Rd.Hd. Brass Ground Screw	★06-92-1100	3/8-24x1-3/8 Stud
★06-97-3210	#8 Brass Lock Washer	★22-38-0120	Clamp
★48-03-0010	Plug Adaptor		