

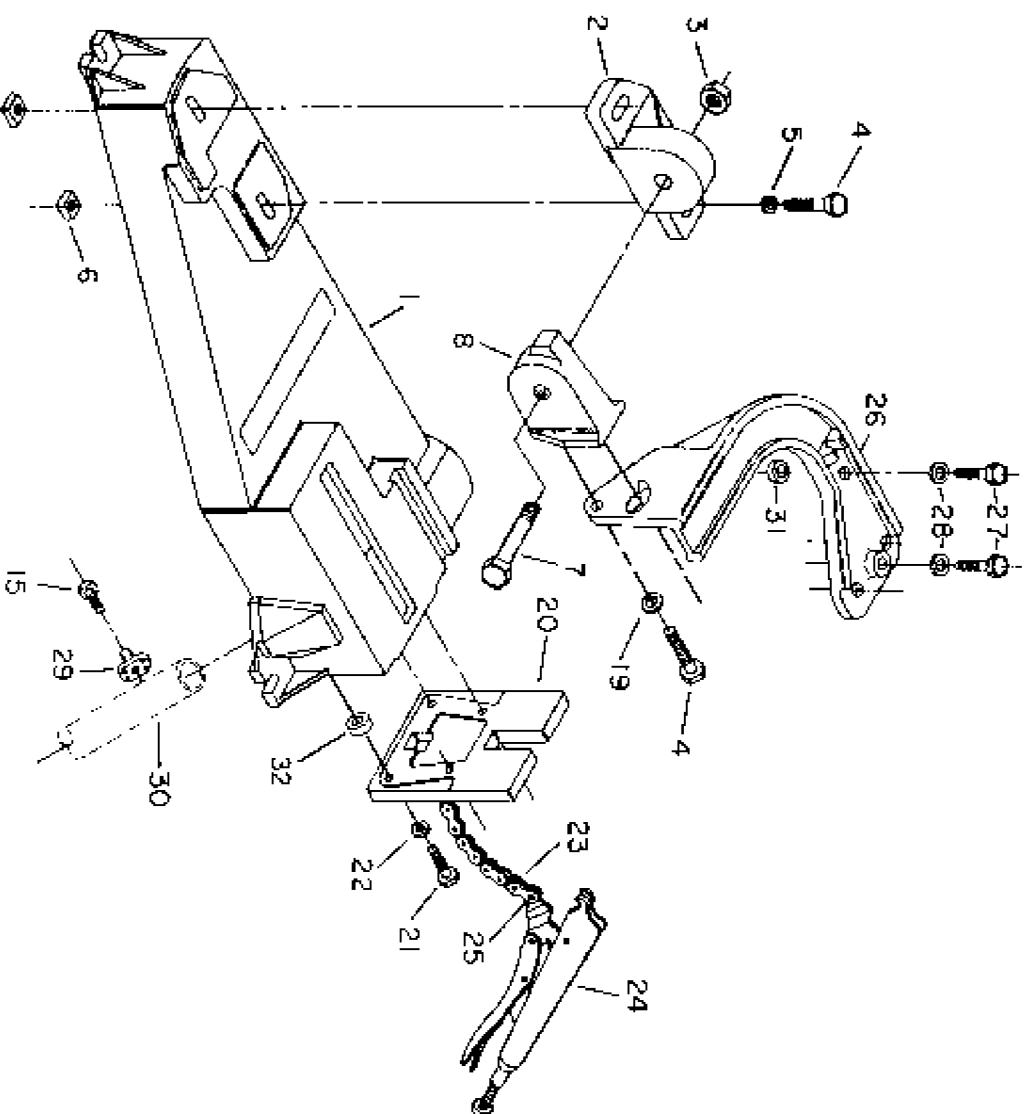
PORTER-CABLE

PORTA-BAND

BANDSAW STAND

WARNING: Electrical repairs should only be attempted by trained repairmen. Contact the nearest Porter-Cable Service Center or other competent repair center.

5028



Parts List for 5028 Type 1

| Item Number | Part Number | Description | Qty Required |
|-------------|-------------|----------------------|--------------|
| 1 | 000000-00 | No Longer Available | 1 |
| 2 | 000000-00 | No Longer Available | 1 |
| 3 | 000000-00 | No Longer Available | 10 |
| 4 | 826485 | SCREW | 10 |
| 5 | 803424 | WASHER | 10 |
| 6 | 828811 | NUT | 10 |
| 7 | 846235 | BOLT | 10 |
| 8 | 866790 | HINGE | 1 |
| 15 | 000000-00 | No Longer Available | 10 |
| 19 | 866346 | WASHER | 10 |
| 20 | 878751 | STATIONARY JAW | 1 |
| 21 | 823193 | SCREW | 10 |
| 22 | 098197-09 | LOCKWASHER | 10 |
| 23 | 000000-00 | No Longer Available | 1 |
| 24 | 846915 | WRENCH VISE GRIP CLP | 1 |
| 25 | 000000-00 | No Longer Available | 10 |
| 26 | 878752 | ARM | 1 |
| 27 | 861849 | SCREW | 10 |
| 28 | 801687 | WASHER | 10 |
| 29 | 000000-00 | No Longer Available | 10 |
| 30 | 000000-00 | No Longer Available | 1 |
| 31 | 866102 | SPACER | 10 |
| 32 | 880873 | SPACER | 10 |

COPYRIGHT© 2005. All Rights Reserved.

Parts list, pricing, and availability subject to change. Please visit www.dewaltservicenet.com for current parts information.