



SERVICE PARTS LIST

BULLETIN NO.
54-06-8920

SPECIFY CATALOG NO. AND SERIAL NO. WHEN ORDERING PARTS		REVISED BULLETIN	DATE
CORDLESS 18 VOLT WORKLIGHT			Sept. 2008
CATALOG NO. 49-24-0171	STARTING SERIAL NO. B52A	WIRING INSTRUCTION	

EXAMPLE:
Component Parts (Small #) Are Included
When Ordering The Assembly (Large #).

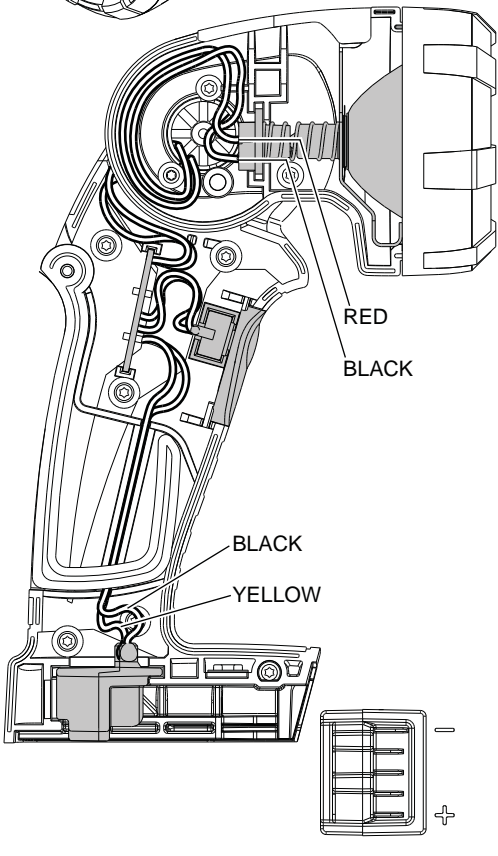
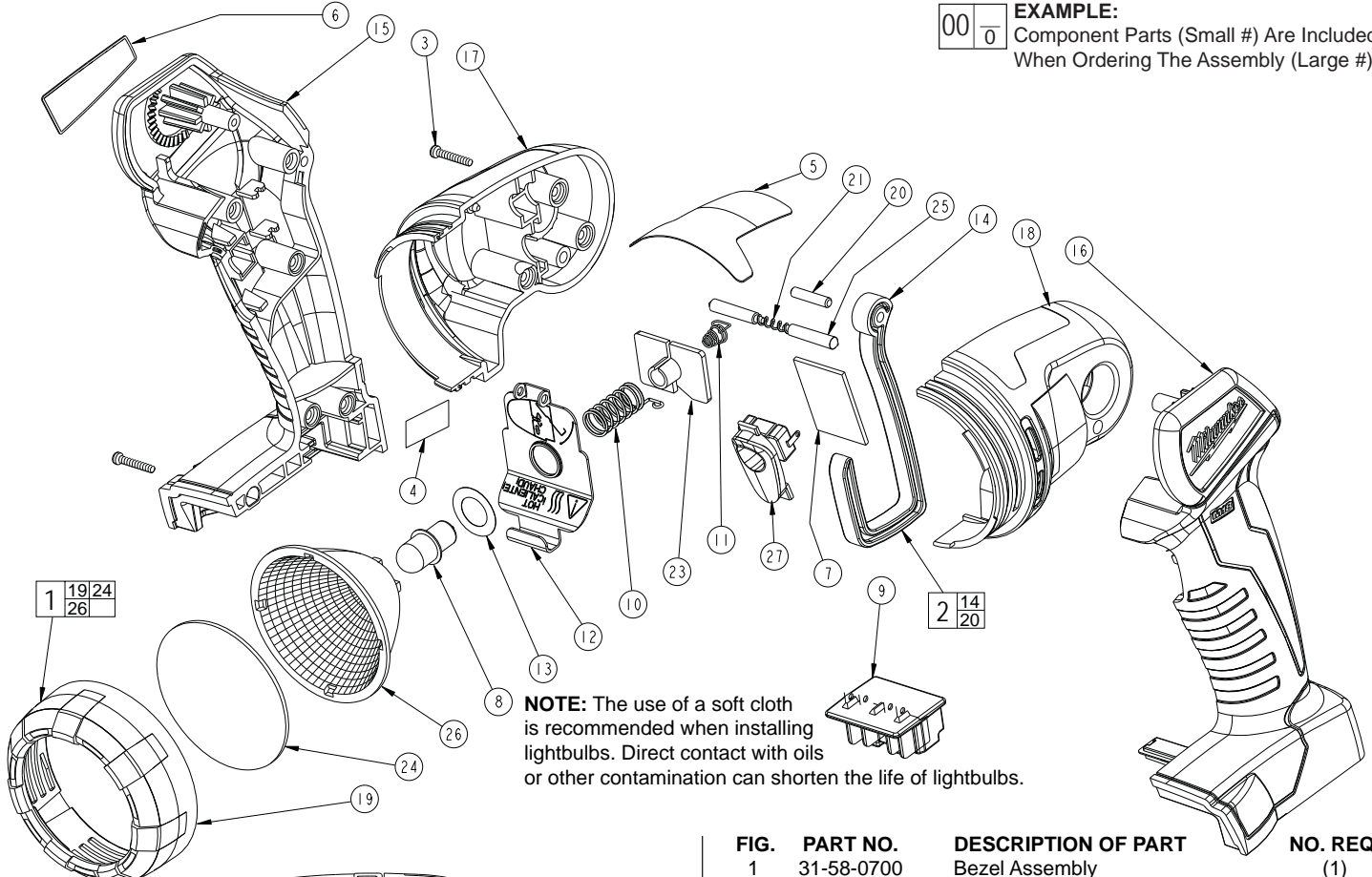


FIG.	PART NO.	DESCRIPTION OF PART	NO. REQ.
1	31-58-0700	Bezel Assembly	(1)
2	43-74-0500	Hook and Pivot Pin Assembly	(1)
3	06-82-7225	4-20 x 1/2" Pan Hd. Plast. T-10 Screw	(10)
4	-----	Bulb Label	(1)
5	10-20-2220	Warning Label	(1)
6	12-20-2110	Service Nameplate Kit	(1)
7	-----	PCB Assembly	(1)
8	49-81-0030	18 Volt Light Bulb (Pkg. of 2)	(1)
9	-----	Connector Block	(1)
10	-----	Negative Contact	(1)
11	-----	Positive Contact	(1)
12	-----	Heat Sink	(1)
13	-----	Insulator	(1)
14	-----	Hook	(1)
15	-----	Handle Halve - Right	(1)
16	-----	Handle Halve - Left	(1)
17	-----	Housing - Right	(1)
18	-----	Housing - Left	(1)
19	-----	Bezel	(1)
20	-----	Pivot Pin	(1)
21	-----	Compression Spring	(1)
23	-----	Contact Holder	(1)
24	-----	Lens	(1)
25	-----	Detent Pin	(2)
26	-----	Reflector	(1)
27	-----	Push Button Switch	(1)