



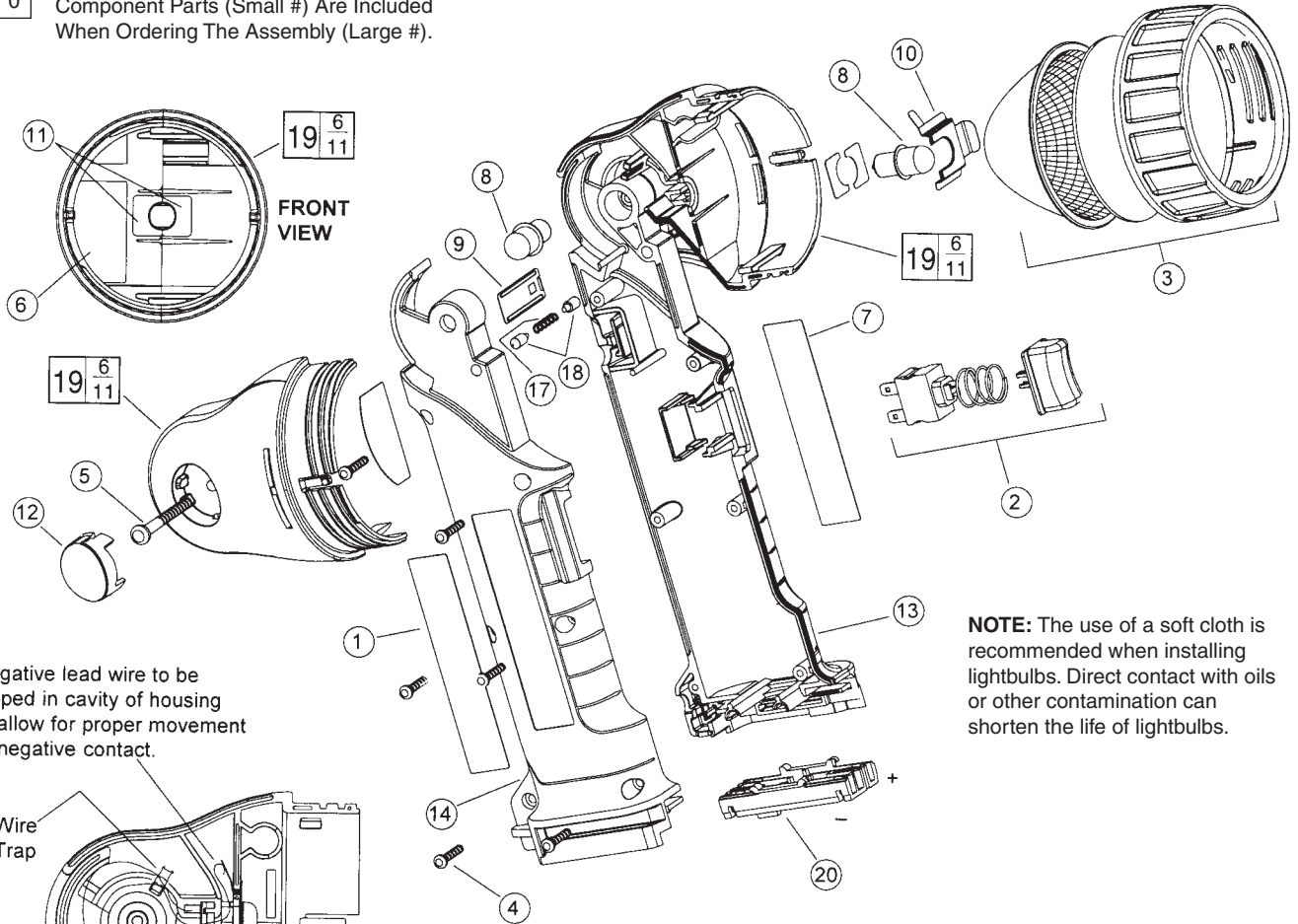
# SERVICE PARTS LIST

**BULLETIN NO.**  
**54-06-9925**

SPECIFY CATALOG NO. AND SERIAL NO. WHEN ORDERING PARTS		REVISED BULLETIN	DATE
<b>12 / 14.4 VOLT WORKLIGHT</b>			July 2007
<b>CATALOG NO.</b>	<b>49-24-0150</b>	<b>STARTING SERIAL NO.</b>	<b>969A</b>
			<b>WIRING INSTRUCTION</b> <b>See Below</b>

00 0

**EXAMPLE:**  
Component Parts (Small #) Are Included  
When Ordering The Assembly (Large #).



Negative lead wire to be looped in cavity of housing to allow for proper movement of negative contact.

**NOTE:** The use of a soft cloth is recommended when installing lightbulbs. Direct contact with oils or other contamination can shorten the life of lightbulbs.

Route lead wire assembly from negative contact first, then push positive contact into pocket of housing. Route positive lead wire assembly through wire trap on top of negative wire.

Excess lead wire should be tucked in this area. Care should be taken to prevent pinching of lead wires during reassembly.

FIG.	PART NO.	DESCRIPTION OF PART	QTY
1	12-20-0730	Service Nameplate Set	(1)
2	23-66-1991	Switch Assembly	(1)
*3	31-58-0675	Bezel Assembly	(1)
4	06-82-7236	4-20 x 5/8" Pan Hd. St. Plastite T-20	(6)
5	06-82-7344	7-18 x 1-1/2" Pan Hd. St. Plastite T-20	(1)
6	10-15-1515	Label - Bulb Instruction	(1)
7	10-20-1710	Product Label	(1)
8	49-81-0020	Light Bulb (Pack of 2)	(1)
9	22-58-0141	Bulb Contact Assembly - Positive	(1)
10	22-58-0126	Bulb Contact Assembly - Negative	(1)
11	23-16-0550	Insulator	(2)
12	31-12-0230	Cap	(1)
13	31-44-2031	Left Handle Half	(1)
14	31-44-2036	Right Handle Half	(1)
15	23-94-6625	Lead Wire Assembly	(1)
16	43-74-0220	Hook	(1)
17	40-50-1320	Compression Spring	(1)
18	44-60-0020	Detent Pin	(2)
19	31-50-0205	Housing Assembly	(1)
20	22-56-0195	Connector Block	(1)

**NOTE:** When bulb becomes dim, do not continue to use worklight. Remove battery and charge. Failure to do so can result in a deep discharge and damage or destroy battery.