



SERVICE PARTS LIST

BUL. 54-00-2201

8 H.P. ALTERNATOR - 3000 WATTS

REVISED BUL.
54-00-2200

DATE
Feb. '83

Catalog No. 4613

Starting
Serial No. G-773266605

WIRING INSTRUCTIONS
58-01-0961.

Specify Catalog and Serial No. when ordering parts

REFER TO REVERSE SIDE FOR ENGINE AND MOUNTING BASE

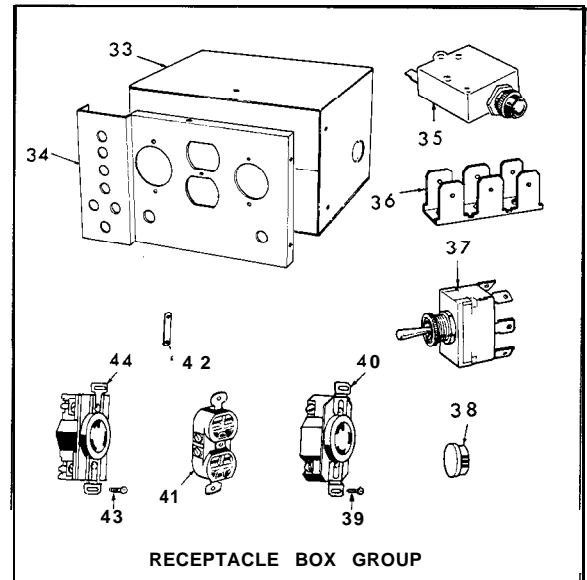
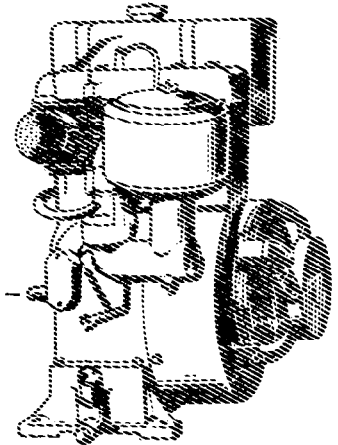
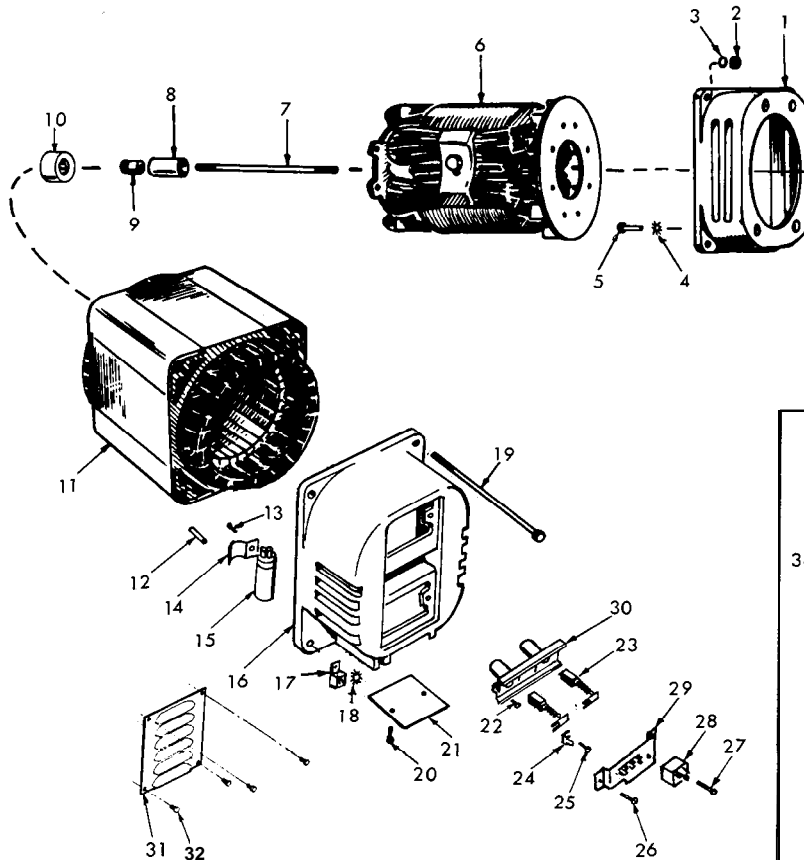


FIG.	PART NO.	DESCRIPTION OF PART	NO. REQ.
	1	42-04-0490 Generator Adapter	(1)
	2	06-55-1 500 1/4-20 Hex. Hd. Nut	(4)
	3	06-97-4000 1/4" Lock Washer	(4)
	4	06-97-2650 5/16" Lock Washer	(4)
	5	06-75-0345 5/16-24x3/4" Hex. Hd. Cap Screw	(4)
	6	23-40-0440 Rotor Assembly	(1)
	7	06-92-0815 5/16x7-9/16 Rotor Through Stud	(1)
	8	45-22-0370 Shaft Sleeve	(1)
	9	06-55-3780 5/16-18 Internal Wrenching Nut	(1)
	10	02-50-4250 Roller Bearing	(1)
	11	23-58-0570 Stator Assembly	(1)
	12	06-65-0960 End Bell Locating Pin	(4)
	13	06-81-5670 6x3/8 Pan Hd. Tapping Screw	(1)
	14	42-36-0990 Capacitor Mounting Bracket	(1)
	15	22-33-0230 Capacitor	(1)
	16	42-25-0280 End Bell	(1)
	17	23-74-0590 Solderless Terminal Lug	(1)
	18	06-97-5600 1/4" Lock Washer	(1)
	19	06-75-0265 1/4-20x5-1/2 Hex. Hd. Cap Screw	(4)
	20	06-81-0030 10x3/8 Hex. Hd. Cap Screw	(2)
	21	22-68-0160 Protection Cover	(1)
	22	06-81-5670 6x3/8 Pan Hd. Tapping Screw	(2)
	23	22-1 8-0510 Alternator Brush	(2)
	24	23-74-0490 Terminal Tab	(1)
	25	06-95-0120 6x1/2 Pan Hd. Tapping Screw	(2)

FIG.	PART NO.	DESCRIPTION OF PART	NO. REQ.
	26	06-81-5670 6x3/8 Pan Hd. Tapping Screw	(2)
	27	06-81-4568 8-32x5/8 Rd. Hd. Mach. Screw	(1)
	28	23-38-2781 Bridge Rectifier	(1)
	29	23-74-0600 Bracket and Terminal Assembly	(1)
	30	22-20-0310 Brush Guide	(1)
	31	23-35-0230 Louver Panel	(1)
	32	06-75-2350 10-32x3/8 Hex. Hd. Cap Screw	(4)
	33	22-1 2-0140 Receptacle Box and Bracket	(1)
	34	23-35-0220 Receptacle Panel	(1)
	35	22-36-0 100 Circuit Breaker - 15 Amp	(1)
		22-36-01 IO Circuit Breaker - 20 Amp	(2)
		22-36-0120 Circuit Breaker - 30 Amp	(1)
	36	23-74-0580 Terminal Strip	(1)
	37	23-66-1 120 Voltage Selector Toggle Switch	(1)
	38	42-42-0170 1/2" Hole Plug	(4)
	39	06-81-4569 6-32x3/8" Rd. Hd. Mach. Screw	(2)
	40	23-33-0300 Twistlock Receptacle - 30 Amp 125V	(1)
	41	23-33-0280 Duplex Receptacle 120V	(1)
	42	45-56-0160 Ground Strap	(1)
	43	06-81-4569 6-32x3/8" Rd. Hd. Mach. Screw	(2)
	44	23-33-0310 Twistlock Receptacle - 20 Amp 240V	(1)

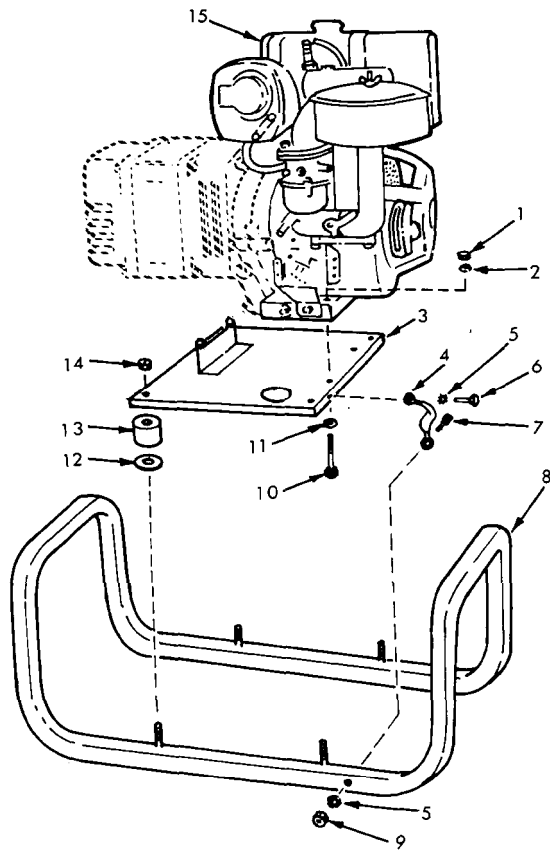


FIG.	PART NO.	DESCRIPTION OF PART	NO. REQ.
	1	06-55-2400 3/8-16 Hex Nut	(2)
	2	06-97-4125 3/8" Lock Washer	(2)
	3	42-20-0480 Mounting Base	(1)
	4	45-56-0171 Ground Strap	(1)
	5	06-97-5600 1/4" Lock Washer	(4)
	6	06-75-0075 1/4-20x1/2 Hex Hd. Cap Screw	(1)
	7	06-75-0210 1/4-20x1-1/2 Hex. Hd. Cap Screw	(1)
	8	43-40-O 130 Carrying Frame	(1)
	9	06-55-1 500 1/4-20 Hex Nut	(2)
	10	06-75-0535 3/8-16x1-1/4 Hex. Hd. Cap Screw	(2)
	11	45-88-5261 25/64IDx1"ODx1/16" Flat Washer	(2)
	12	45-88-5265 25/64IDx1-1/4 ODx.598 Flat Washer	(4)
	13	44-34-0080 Vibration Dampner	(4)
	14	06-57-5150 3/8-16 Self Locking Hex Nut	(4)
	15	— 8 HP Engine (For Components Refer To Engine Manufacturer)	(1)