



SERVICE PARTS LIST

BUL. 54-00-1180

ALTERNATOR WIRING DIAGRAM

REVISED BUL

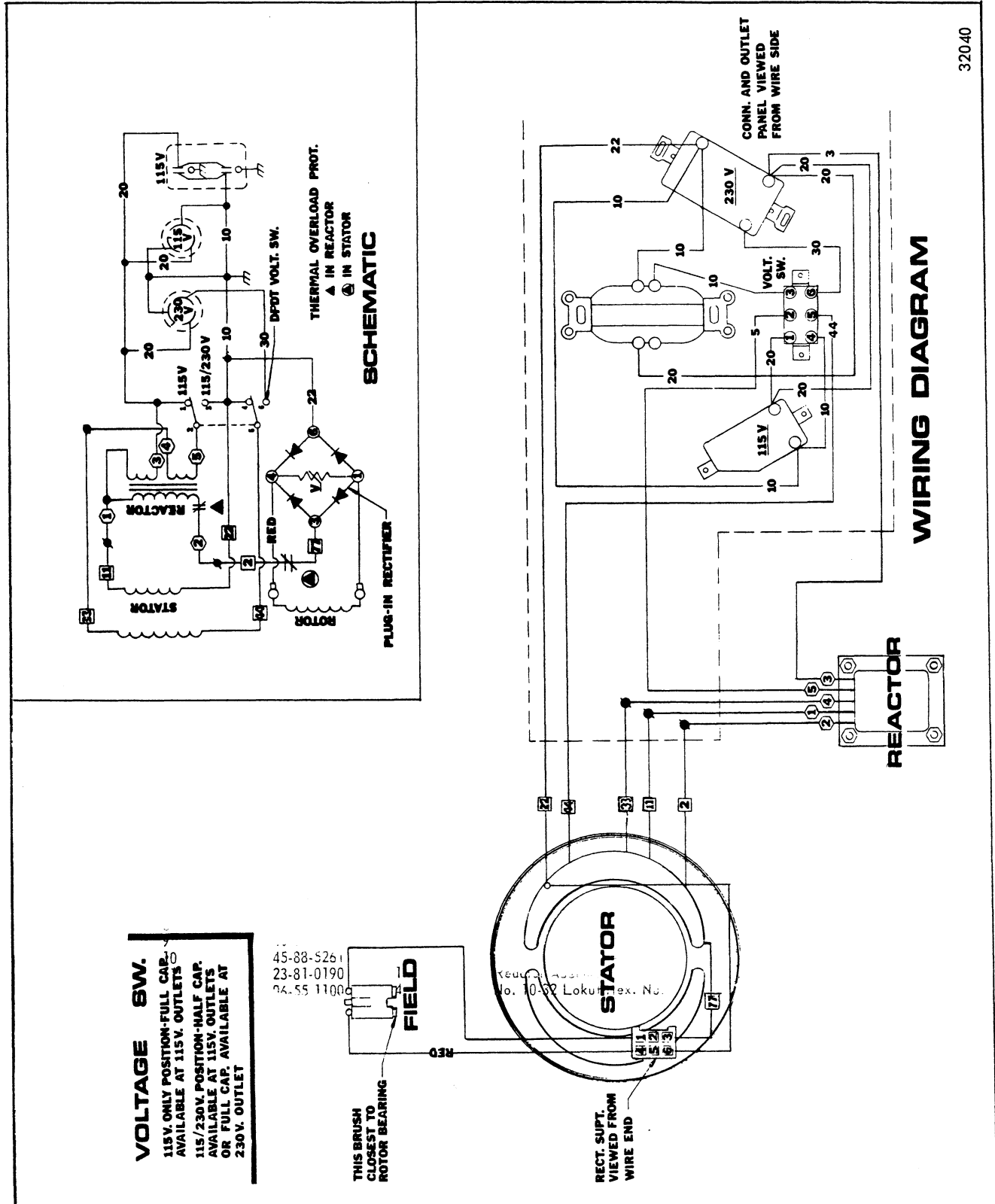
DATE
March '71

Catalog No. **4611**

Starting
Serial No. **456-1001**

WIRING INSTR.

Both Model and Serial No. must be furnished to obtain correct parts.





SERVICE PARTS LIST

BUL. 54-00-1150

3000 WATT ALTERNATOR

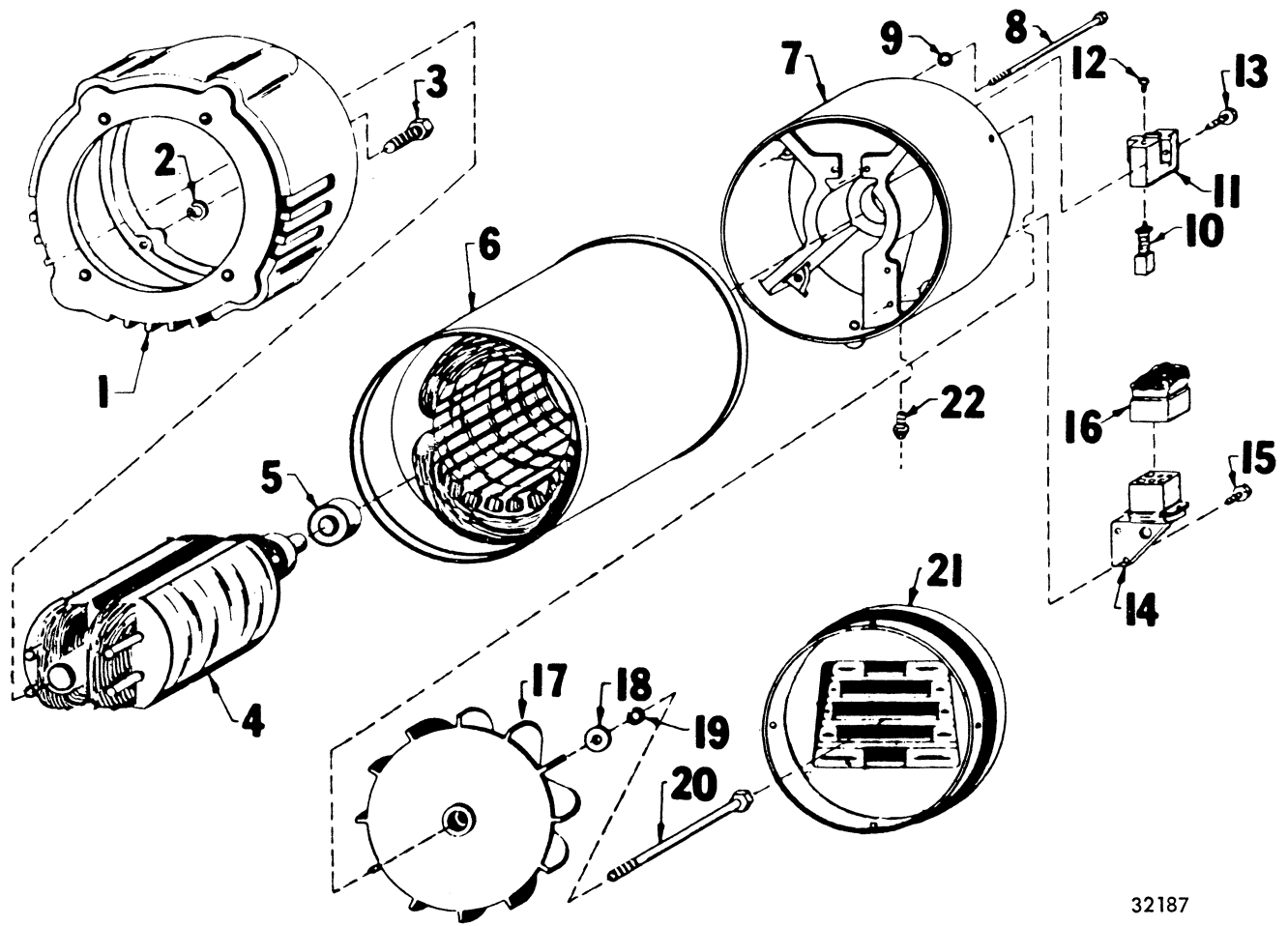
REVISED BUL DATE
March '71

Catalog No. **4611**

Starting Serial No. **456-1001**

WIRING INSTR. **54-00-1180**

Both Model and Serial No. must be furnished to obtain correct parts.



32187

Item	Part No.	Req'd	Description
1	42-04-0360	1	Adaptor Housing
2	06-97-4125	4	3/8 Lockwasher
3	06-75-4500	4	3/8 - 16 x 1" Lg. Hex. Hd. Capscrew
4	23-40-0160	1	Rotor Assembly
5	02-04-1545	1	Bearing
6	23-58-0420	1	Stator Assembly
7	43-76-0171	1	Rear Bearing Carrier
8	06-75-0065	4	Indented Hex. Hd. Machine Screw
9	06-97-2200	4	#10 Shakeproof Lockwasher, Int.
10	22-18-0340	2	Brush Assembly
11	22-20-0220	1	Brush Holder
12	06-81-8650	2	#6 - 32 x 1/4 Lg. Rd. Hd. Machine Sc. & Lockwasher
13	06-81-3640	2	#8 - 32 x 5/8 Lg. Taptite Screw
14	45-60-0300	1	Rectifier Support Assembly
15	01-81-0030	2	#10 - 32 x 3/8 Lg. Taptite Screw
16	23-38-2560	1	Rectifier Assembly
17	22-84-0400	1	Fan
18	45-88-5245	2	5/16 Flatwasher
19	06-97-4100	1	5/16 Lockwasher
20	06-75-0468	1	Hex. Hd. Capscrew
21	42-92-0161	1	Fan Cover
22	06-75-2400	3	#10 - 32 x 1/2 Lg. Taptite Screw



SERVICE PARTS LIST

BUL. 54-00-1160

ALTERNATOR CONNECTION PANEL

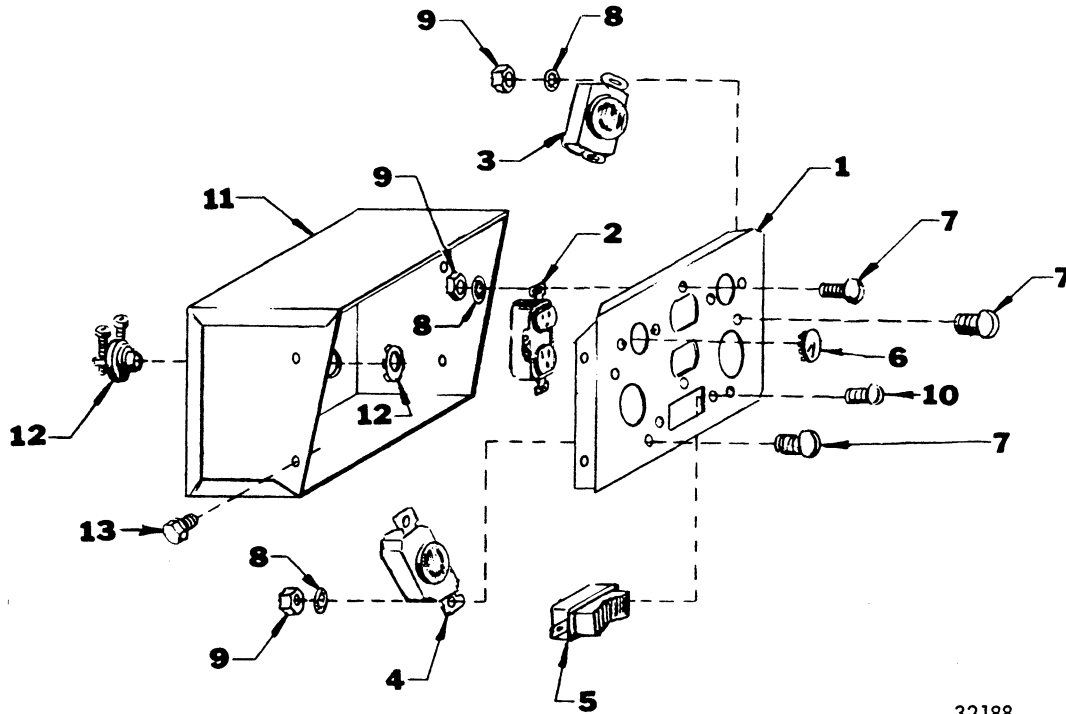
REVISED BUL DATE
March '71

Catalog No. **4611**

Starting
Serial No. **456-1001**

WIRING INSTR.
54-00-1180

Both Model and Serial No. must be furnished to obtain correct parts.



32188

Item	Part No.	Req'd	Description
1	22-68-0140	1	Outlet Panel Front
2	23-33-0200	1	115V Outlet
3	23-33-0205	1	115V Outlet
4	23-33-0160	1	230V Outlet
5	23-66-0835	1	Switch
6	44-68-0090	2	Plug Button
7	06-81-4650	6	RHMS
9	06-55-1100	6	Hex. Nuts
10	06-81-8650	2	Sim RHMS
11	22-12-0070	1	Outlet Panel Back
12	22-56-0140	1	3/8 Straight Connector
13	06-75-2400	4	Tapite



SERVICE PARTS LIST

BUL. 54-00-1170

ALTERNATOR MOUNTING BASE

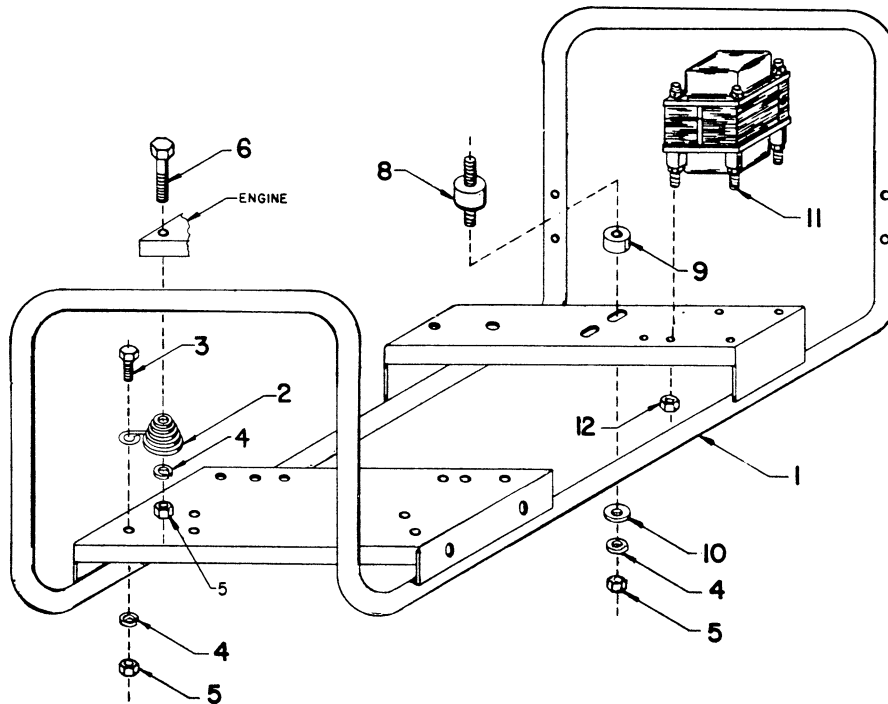
REVISED BUL DATE
March '71

Catalog No. 4611

Starting
Serial No. **456-1001**

WIRING INSTR.
54-00-1180

Both Model and Serial No. must be furnished to obtain correct parts.



34860

Item	Part No.	Req'd	Description
1	42-20-0260	1	Mounting Base
2	40-50-6900	4	Springs
3	96-75-0300	4	5/16-18x3/4 Lg. Hex.Hd. Capscrew
4	06-97-4100	9	5/16 Lockwasher
5	06-55-1980	9	5/16-18 Hex. Hd. Nut
6	06-75-0342	4	5/16-18x1-3/4 Lg. Hex. Hd. Capscrew
8	43-33-0208	1	Vibration Damper
9	45-36-0430	1	Spacer
10	45-88-5261	1	5/16 Flatwasher
11	23-81-0190	1	Reactor Assembly
12	06-55 1100	4	No. 10-32 Lokut Hex. Nut