



SERVICE PARTS LIST

BUL. 54-00-0160

ALTERNATOR CONNECTION PANEL

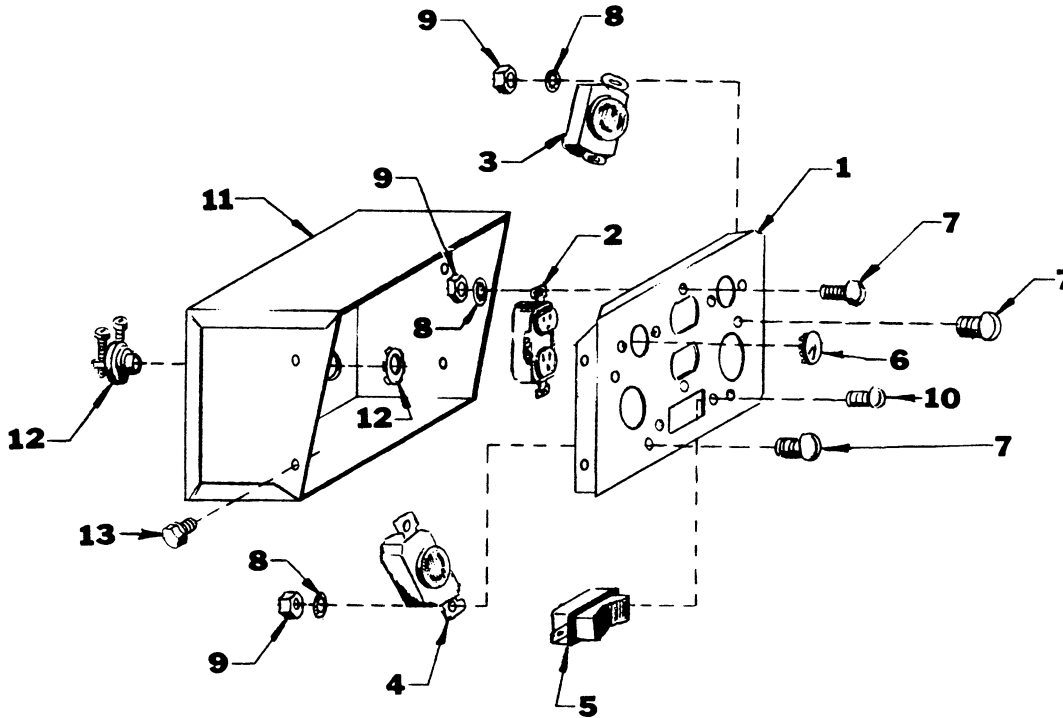
REVISED BUL DATE June '70

Catalog No. **4610**

Starting Serial No. **443-1001**

WIRING INSTR. **54-00-0180**

Both Model and Serial No. must be furnished to obtain correct parts.



Item	Part No.	Req'd	Description
1	22-68-0140	1	Outlet Panel Front
2	23-33-0200	1	115V Outlet
3	23-33-0205	1	115V Outlet
4	23-33-0160	1	230V Outlet
5	23-66-0835	1	Switch
6	44-68-0090	2	Plug Button
7	06-81-4650	6	RHMS
9	06-55-1100	6	Hex. Nuts
10	06-81-8650	2	Sim RHMS
11	22-12-0070	1	Outlet Panel Back
12	22-56-0140	1	3/8 Straight Connector
13	06-75-2400	4	Tapite



SERVICE PARTS LIST

BUL. 54-00-0170

ALTERNATOR MOUNTING BASE

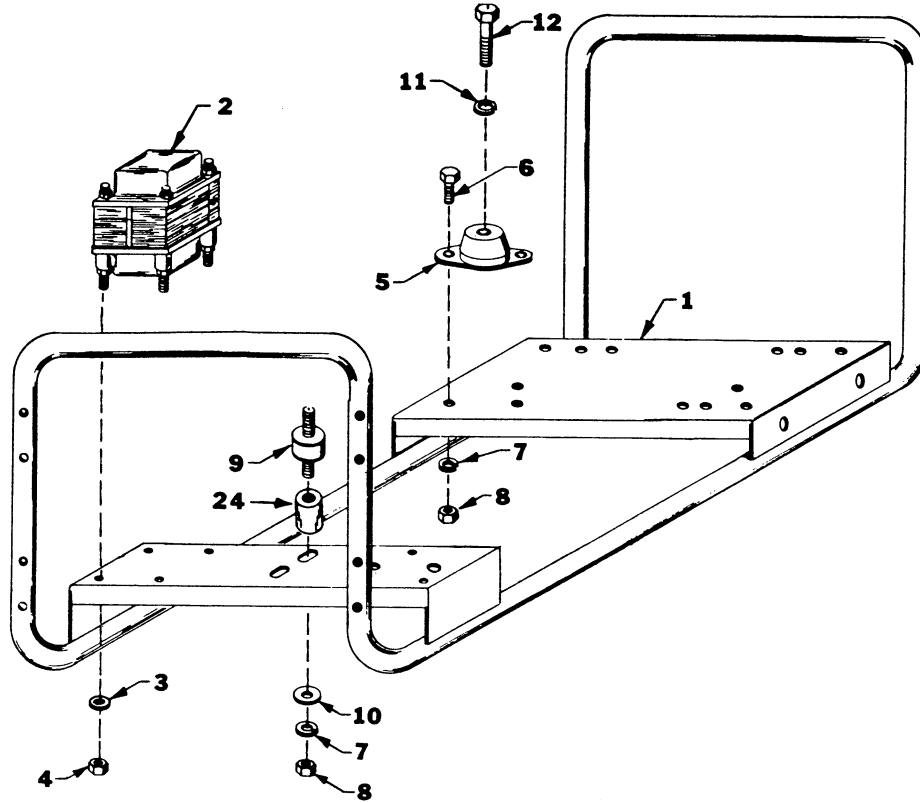
REVISED BUL DATE June '70

Catalog No. **4610**

Starting Serial No. **443-1001**

WIRING INSTR. **54-00-0180**

Both Model and Serial No. must be furnished to obtain correct parts.



Item	Part No.	Req'd	Description
1	42-20-0260	1	Mounting Base
2	23-81-0160	1	Reactor Assembly
4	6-55-1100	4	#10 - 32 Hex. Nut
5	43-33-0310	4	Vibration Dampener
6	06-75-0300	8	5/16 - 18 x 3/4 Lg. Hex. Hd. Capscrew
7	06-97-4100	9	5/16 Lockwasher
8	06-55-1980	9	5/16 - 18 Hex. Nut
9	43-33-0280	1	Vibration Dampener
10	45-88-5245	3	5/16 Flatwasher
11	06-97-4125	4	3/8 Lockwasher
12	06-75-0575	4	3/8 - 16 x 1 1/2 Lg. Hex. Hd. Capscrew
24	45-36-0535	1	Spacer



SERVICE PARTS LIST

3000 WATT ALTERNATOR

BUL. 54-00-0150

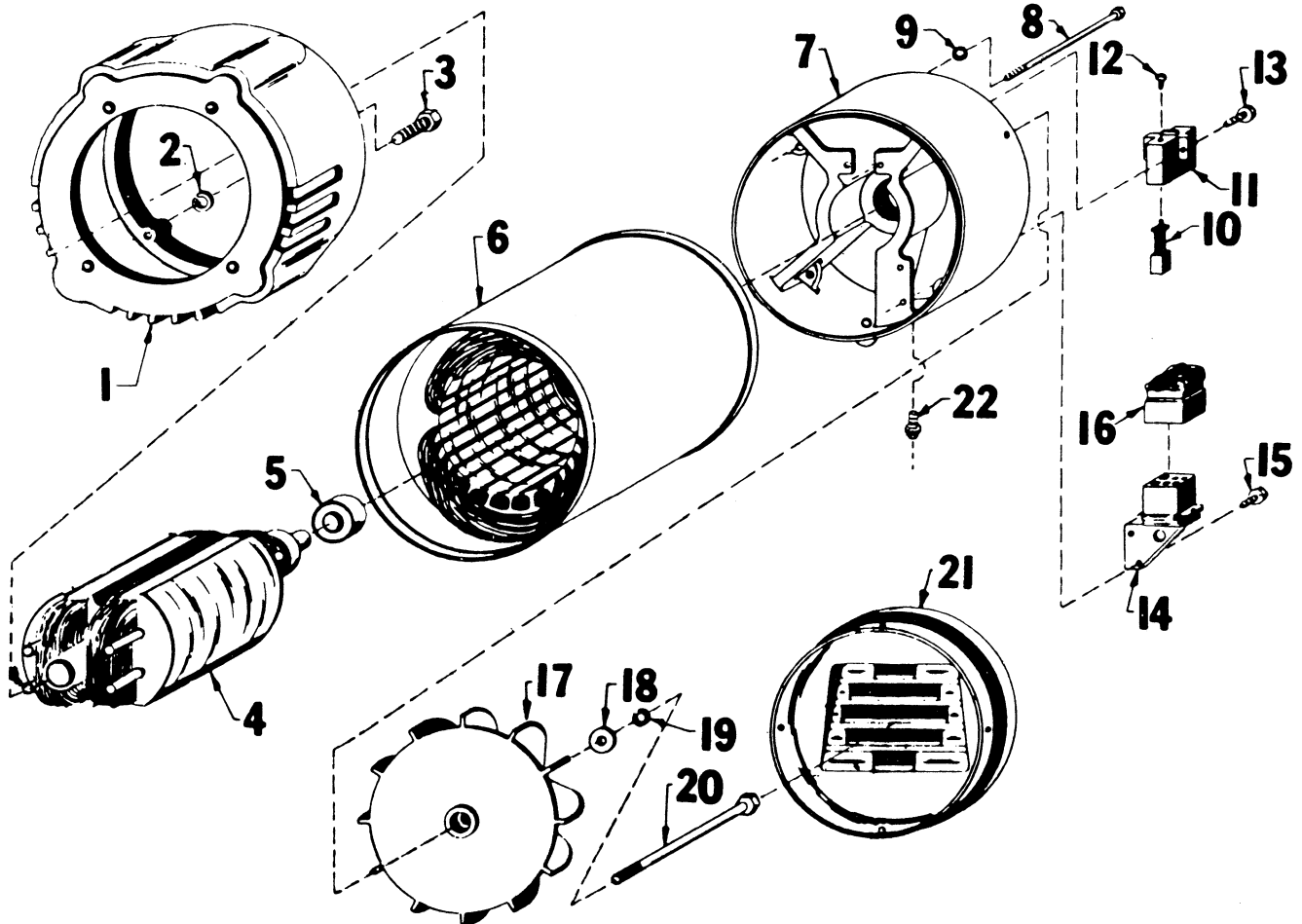
REVISED BUL DATE June '70

Catalog No. 4610

Starting Serial No. 443-1001

WIRING INSTR. 54-00-0180

Both Model and Serial No. must be furnished to obtain correct parts.



Item	Part No.	Req'd	Description
1	42-04-0360	1	Adaptor Housing
2	06-97-4125	4	3/8 Lockwasher
3	06-75-4500	4	3/8 - 16 x 1" Lg. Hex. Hd. Capscrew
4	23-40-0160	1	Rotor Assembly
5	02-04-1545	1	Bearing
6	23-58-042C	1	Stator Assembly
7	43-76-0171	1	Rear Bearing Carrier
8	06-75-0065	4	Indented Hex. Hd. Machine Screw
9	06-97-2200	4	#10 Shakeproof Lockwasher, Int.
10	22-18-0340	2	Brush Assembly
11	22-20-0220	1	Brush Holder
12	06-81-8650	2	#6 - 32 x 1/4 Lg. Rd. Hd. Machine Sc. & Lockwasher
13	06-81-3640	2	#8 - 32 x 5/8 Lg. Taptite Screw
14	45-60-0300	1	Rectifier Support Assembly
15	01-81-0030	2	#10 - 32 x 3/8 Lg. Taptite Screw
16	23-38-2560	1	Rectifier Assembly
17	22-84-0400	1	Fan
18	45-88-5245	2	5/16 Flatwasher
19	06-97-4100	1	5/16 Lockwasher
20	06-75-0468	1	Hex. Hd. Capscrew
21	42-92-0161	1	Fan Cover
22	06-75-2400	3	#10 - 32 x 1/2 Lg. Taptite Screw



SERVICE PARTS LIST

BUL. 54-00-0180

ALTERNATOR WIRING DIAGRAM

REVISED BUL

DATE
June '70

Catalog No. **4610**

Starting
Serial No. **443-1001**

WIRING INSTR.

Both Model and Serial No. must be furnished to obtain correct parts.

