



SERVICE PARTS LIST

BULLETIN NO.
54-00-2550

SPECIFY CATALOG NO. AND SERIAL NO. WHEN ORDERING PARTS		REVISED BULLETIN	DATE
4 H.P. ALTERNATOR—1750 WATTS			July '80
CATALOG NO. 4453	STARTING SERIAL NO. H793 477202	WIRING INSTRUCTION	
3600 R.P.M.		58-01-0965	

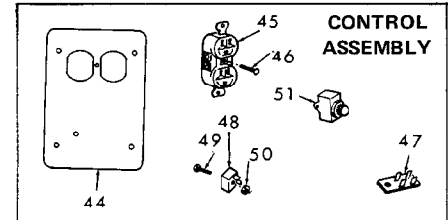
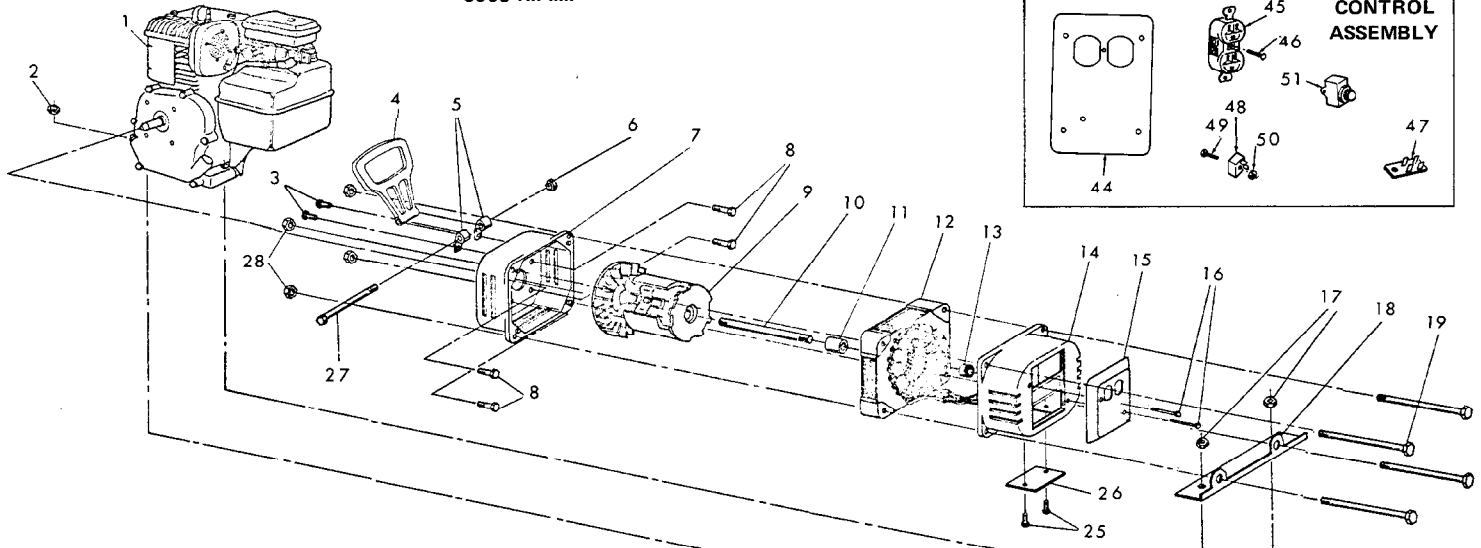


FIG. PART NO.	DESCRIPTION OF PART	NO. REQ.	
1 -	4 H.P. Engine (For Components Refer to Engine Manufacturer)	(1)	
2 06-55-1 970	5/16-18 Hex Nut W/E.T. Lockwasher	(2)	
3 06-75-0298	5/16-18x5/8" Hex Hd. Cap Screw	(2)	
4 43-62-0780	Carrying Handle	(1)	
5 43-70-0060	Carrying Handle Hinge	(2)	
6 06-57-5000	1/4-20 Hex Nut	(1)	
7 42-04-3540	Engine to Generator Adapter	(1)	
8 06-75-0352	5/16-24x3/4" Hex Hd. Cap Screw	(4)	
9 23-40-0510	Rotor (Includes 22-84-0730 Fan)	(1)	
10 06-92-1 254	5/16x5.56" Stud	(1)	
11 45-22-0370	Sleeve	(1)	
12 23-58-0670	Stator	(1)	
13 06-55-3780	Nut	(1)	
14 -	End Bell	(1)	
15 -	Receptacle Box	(1)	
16 06-81-5490	6-32x1.88" Hex. Hd. Cap Screw	(2)	
17 06-55-1 970	5/16-18 Hex Nut W/E.T. Lockwasher	(2)	
18 42-36-1 290	Generator Mounting Bracket	(1)	
19 06-75-0253	1/4-20x3-3/4" Hex. Hd. Cap Screw	(4)	
20 06-75-0021	10-32x1/2" Hex Hd. Cap Screw W/E.T.	(1)	
21 23-74-0760	Ground Lug	(1)	
22 42-20-0560	Mounting Channel	(2)	
23 06-75-0302	5/16-18x3/4" Hex Hd. Cap Screw W/E.T.	(2)	
24 06-75-0330	5/16-18x1/2" Hex. Hd. Cap Screw W/E.T.	(2)	
25 06-75-2350	10-32x3/8" Hex. Hd. Cap Screw	(2)	
26 22-68-0160	Cover	(1)	
27 06-75-1 240	1/4-20x4-1/2" Hex. Hd. Cap Screw	(1)	
28 06-55-1 505	1/4-20 Hex. Nut W/E.T. Lockwasher	(4)	
29 44-34-0130	Vibration Dampener	(4)	
30 45-88-7710	1-1/2" O.D.x1/4" Thick Washer	(4)	
31 06-75-0297	5/16-18x1/2" Hex. Hd. Cap Screw	(4)	
32 02-50-4250	Roller Bearing	(1)	
33 44-60-0580	Locking Pin	(4)	
34 06-81-5670	No. 6x3/8" Pan Hd. Tapping Screw	(4)	
35 42-36-0990	Capacitor Mounting Bracket	(1)	
36 22-33-0230	Capacitor	(1)	
37 42-25-0320	End Bell	(1)	
38 23-94-9690	3" Lead	(1)	
	23-94-9695	3 1/4" Lead	(1)
39 22-20-0310	Brush Guide	(1)	
40 22-18-0510	Carbon Brush	(2)	
41 23-74-0770	Terminal Tab	(2)	
42 23-74-0490	Terminal Tab	(1)	
43 06-75-0014	No. 6x5/8" Hex Hd. Cap Screw	(1)	

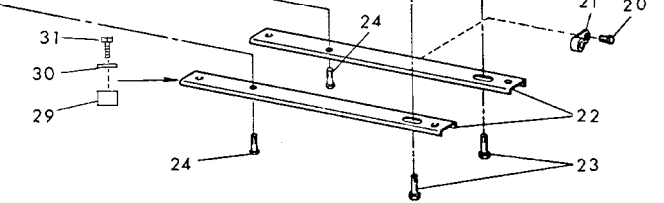


FIG. PART NO.	DESCRIPTION OF PART	NO. REQ.
44 22-12-0165	Receptacle Box	(1)
45 23-33-0370	120V Duplex Receptacle	(1)
46 06-81-5477	6-32x3/8" Pan Hd. Screw W/E.T. Lockwasher	(1)
47 23-74-0795	Two Place Tab Terminal	(1)
48 23-38-2781	Bridge Rectifier	(1)
49 06-81-5640	8-32x3/4" Pan Hd. Screw W/E.T. Lockwasher	(1)
50 06-55-0830	8-32 Hex Nut	(1)
51 22-36-0100	15 AMP Circuit Breaker	(1)

