



# SERVICE PARTS LIST

**4 H.P. ALTERNATOR - 1500 WATTS**

**Catalog No. 4443**

Starting  
Serial No. **519-1001**

Specify Catalog and Serial No. when ordering parts

**BUL. 54-00-2000**

REVISED BUL. DATE  
July '74

WIRING INSTRUCTIONS  
**58-01-0950**

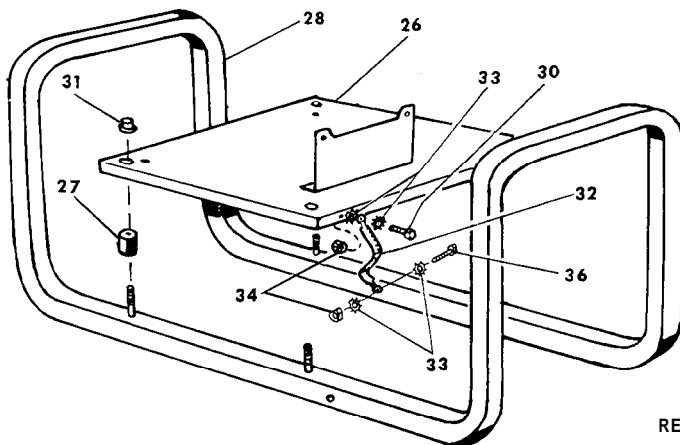
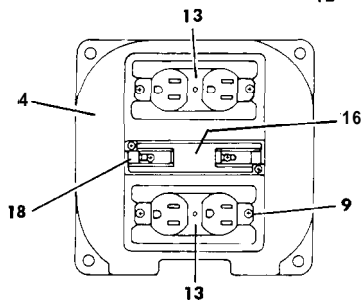
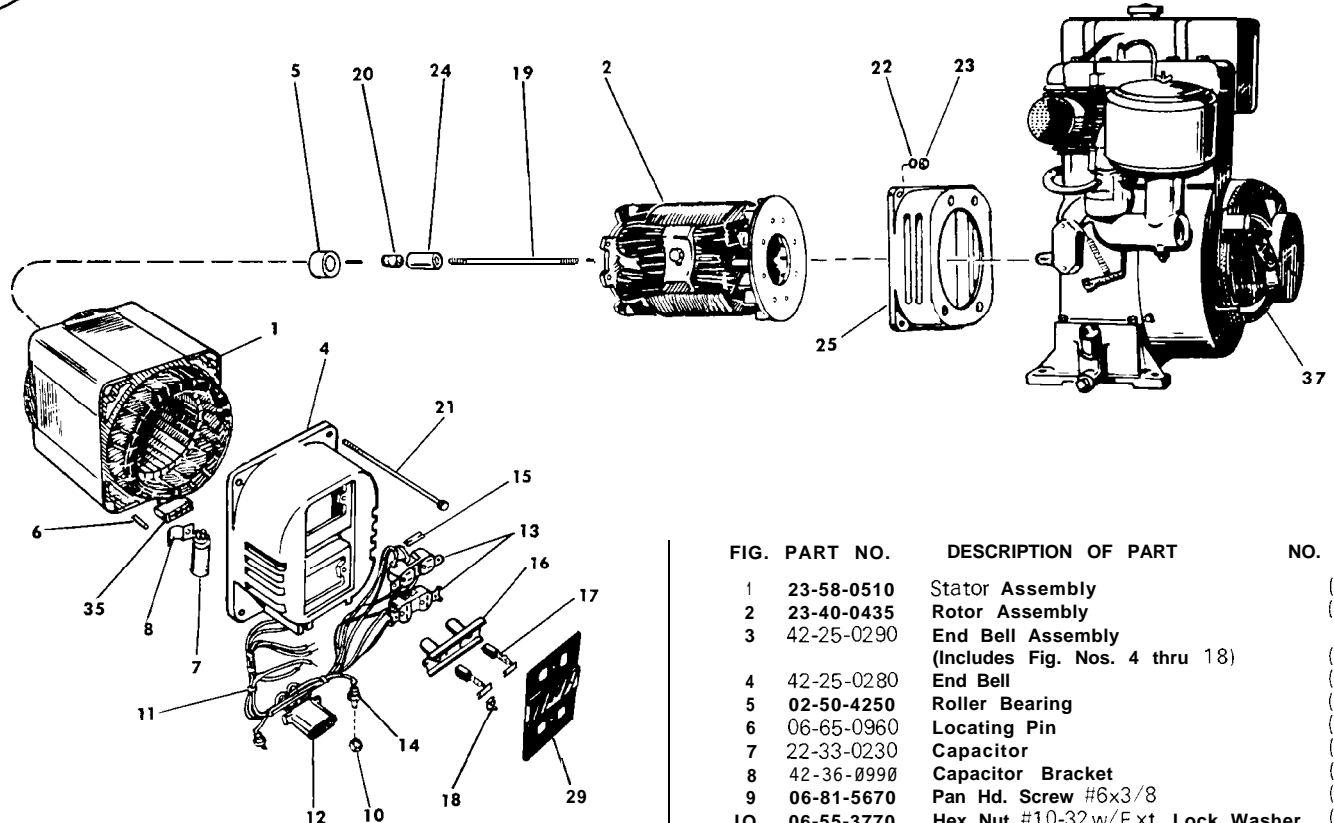


FIG.	PART NO.	DESCRIPTION OF PART	NO. REQ
1	23-58-0510	Stator Assembly	(1)
2	23-40-0435	Rotor Assembly	(1)
3	42-25-0290	End Bell Assembly (Includes Fig. Nos. 4 thru 13)	(1)
4	42-25-0280	End Bell	(1)
5	02-50-4250	Roller Bearing	(1)
6	06-65-0960	Locating Pin	(4)
7	22-33-0230	Capacitor	(1)
8	42-36-0990	Capacitor Bracket	(1)
9	06-81-5670	Pan Hd. Screw #6x3/8	(9)
10	06-55-3770	Hex Nut #10-32 w/Ext. Lock Washer	(2)
11	42-25-0270	End Bell Wiring Harness (Includes Fig. Nos. 12 thru 15)	(1)
12	22-56-0310	Wiring Harness Connector	(1)
13	23-33-0280	Receptacle 120V	(2)
14	23-38-2710	Diode Rectifier	(2)
15	45-56-0160	Ground Strap	(1)
16	22-20-0310	Brush Guide	(1)
17	22-1 8-0510	Carbon Brush	(2)
18	23-74-0490	Tab Terminal	(1)
19	06-92-0400	Rotor Through Stud	(1)
20	06-55-3780	Rotor Through Stud Nut	(1)
21	06-75-0260	Hex Hd. Cap Screw	(4)
22	06-97-4000	Lock Washer	(4)
23	06-55-1 500	Hex Nut	(4)
24	45-22-0370	Shaft Sleeve	(1)
25	42-04-0480	Adapter	(1)
26	42-20-0470	Engine Mounting Base	(1)
27	44-34-0080	Isolation Mount	(4)
28	43-40-0130	Carrying Frame	(1)
29	42-92-0370	Receptacle Cover	(1)
30	06-75-0075	Hex Hd. Cap Screw 1/4-20x1/2	(1)
31	06-57-5170	Flange Nut	(4)
32	45-56-0170	Bond Strap	(1)
33	06-97-5600	Shakeproof Washer	(4)
34	06-55-1 500	Nut 1/4-20	(2)
35	42-86-0090	Housing Tab Connector	(1)
36	06-75-0230	Hex Hd. Cap Screw 1/4-20x1-3/4	(1)
37	—	Engine 4 HP (For components refer to engine manufacturer.)	(1)

REFER TO BULL. 54-00-0010 FOR ALTERNATOR DOLLY REPAIR PARTS