

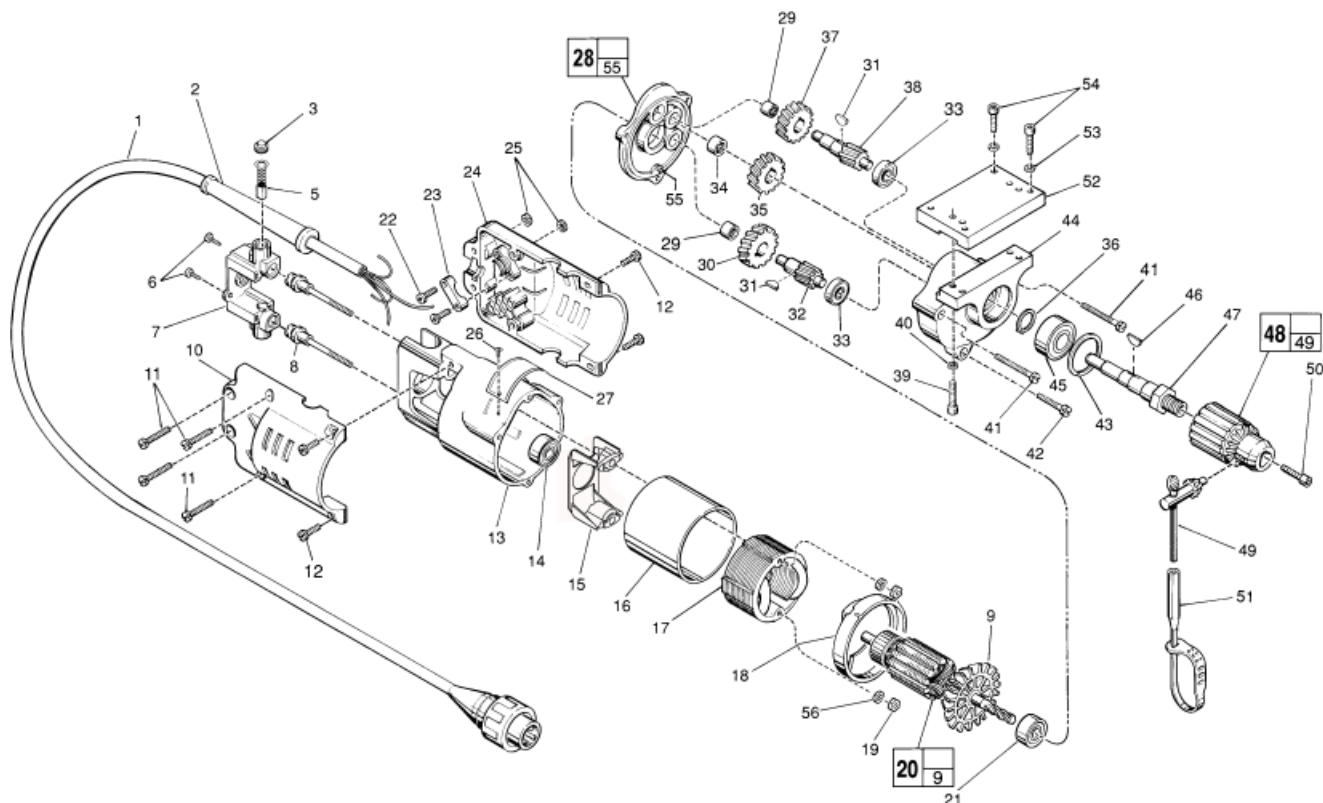


# SERVICE PARTS LIST

**BULLETIN NO.**  
54-14-1123

| SPECIFY CATALOG NO. AND SERIAL NO. WHEN ORDERING PARTS |               |                            |             | REVISED BULLETIN                               | DATE      |
|--|---------------|----------------------------|-------------|--|-----------|
| <b>1/2" POWER PACK DRILL MOTOR</b>                     |               |                            |             | 54-14-1122                                     | Dec. 2009 |
| <b>CATALOG NO.</b>                                     | <b>4253-1</b> | <b>STARTING SERIAL NO.</b> | <b>587A</b> | <b>WIRING INSTRUCTION</b><br><b>58-01-0402</b> |           |

**EXAMPLE:**  
Component Parts (Small #) Are Included  
When Ordering The Assembly (Large #).



| FIG. | PART NO. | DESCRIPTION OF PART                                | NO. REQ. |
|------|----------|--|----------|
|      | 1        | 22-64-0760 Cord Set                                | (1)      |
|      | 2        | 44-76-0050 Cord Protector                          | (1)      |
|      | 3        | 23-44-0190 Brush Retaining Screw                   | (2)      |
| ★    | 5        | 22-18-0910 Carbon Brush Assembly                   | (2)      |
|      | 6        | 06-95-0075 6-32 x 3/8" Truss Hd. Taptite Screw     | (2)      |
| ★    | 7        | 22-22-1380 Brush Holder Assembly                   | (1)      |
| ★    | 8        | 06-81-1060 Insulated Field Bolt                    | (2)      |
|      | 9        | 22-84-0531 Fan                                     | (1)      |
|      | 10       | 31-15-0120 Cover Half                              | (1)      |
|      | 11       | 06-81-0425 8-32 x 7/8" Pan Hd. Screw               | (4)      |
| ★    | 12       | 06-82-5316 8-32 x 1/2" Pan Hd. Slit. Taptite T-20  | (4)      |
| ★    | 13       | 28-50-6220 Motor Housing                           | (1)      |
|      | 14       | 02-04-0845 Ball Bearing                            | (1)      |
| ★    | 15       | 31-55-0190 Coil Shield                             | (1)      |
|      | 16       | 23-16-0456 Field Insulator                         | (1)      |
|      | 17       | 18-30-0100 120 Volt Field                          | (1)      |
| ★    | 18       | 31-05-0055 Baffle                                  | (1)      |
| ★    | 19       | 06-55-0825 8-32 UNC-2B Hex Nut                     | (2)      |
|      | 20       | 16-30-0225 120 Volt Armature                       | (1)      |
|      | 21       | 02-04-0911 Ball Bearing                            | (1)      |
|      | 22       | 06-81-4205 6-32 x 3/4" Pan Hd. Phillips Mach. Scr. | (2)      |
|      | 23       | 31-17-0065 Cord Clamp                              | (1)      |
|      | 24       | 31-15-0121 Cover Half Assembly                     | (1)      |
|      | 25       | 06-55-0825 8-32 Hex Nut                            | (4)      |
| ★    | 26       | 06-72-1720 Nameplate Rivet                         | (2)      |
| ★    | 27       | 12-99-1305 Service Nameplate                       | (1)      |
| ★    | 28       | 28-28-0611 Diaphragm                               | (1)      |
|      | 29       | 02-50-1640 Needle Bearing                          | (2)      |
|      | 30       | 32-40-1241 Intermediate Gear                       | (1)      |
|      | 31       | 06-42-0800 Woodruff Key                            | (2)      |
|      | 32       | 36-66-2801 Intermediate Shaft                      | (1)      |

| FIG. | PART NO. | DESCRIPTION OF PART                            | NO. REQ. |
|------|----------|--|----------|
|      | 33       | 02-04-0640 Ball Bearing                        | (2)      |
|      | 34       | 02-50-2440 Needle Bearing                      | (1)      |
|      | 35       | 32-75-2061 Spindle Gear                        | (1)      |
|      | 36       | 34-60-1200 Retaining Ring                      | (1)      |
|      | 37       | 32-75-2041 Spindle Gear                        | (1)      |
|      | 38       | 36-66-2901 Intermediate Shaft                  | (1)      |
|      | 39       | 06-75-3090 1/4-20 x 7/8" Socket Hd. Screw      | (4)      |
|      | 40       | 06-97-4050 1/4" Lockwasher                     | (4)      |
| ★    | 41       | 06-82-3210 8-32 x 1-7/8" Fil. Hd. Taptite T-20 | (2)      |
|      | 42       | 06-95-5250 8-32 x 1-1/8" Fil. Hd. Sems         | (1)      |
|      | 43       | 34-80-2500 Retaining Ring                      | (1)      |
|      | 44       | 28-14-0761 Gear Case                           | (1)      |
|      | 45       | 02-04-1536 Ball Bearing                        | (1)      |
|      | 46       | 06-42-1600 Woodruff Key                        | (1)      |
|      | 47       | 38-50-5470 Spindle                             | (1)      |
|      | 48       | 48-66-1360 1/2" Chuck                          | (1)      |
|      | 49       | 48-66-3280 Chuck Key                           | (1)      |
|      | 50       | 06-75-3150 1/4-20 x 1" L.H. Skt.Hd. Cap Screw  | (1)      |
|      | 51       | 48-66-4040 Key Holder                          | (1)      |
|      | 52       | 42-04-0580 Adaptor Plate                       | (1)      |
|      | 53       | 06-97-4050 1/4" Lockwasher                     | (4)      |
|      | 54       | 06-75-3050 1/4-20 x 3/4" Socket Hd. Screw      | (4)      |
|      | 55       | 06-65-0825 Groove Pin                          | (1)      |
| ★    | 56       | 45-88-0765 Nord-Lock Washer                    | (2)      |

**FIG. LUBRICATION**  
44 3-1/4 Oz. Type "A" Grease, No. 49-08-0800