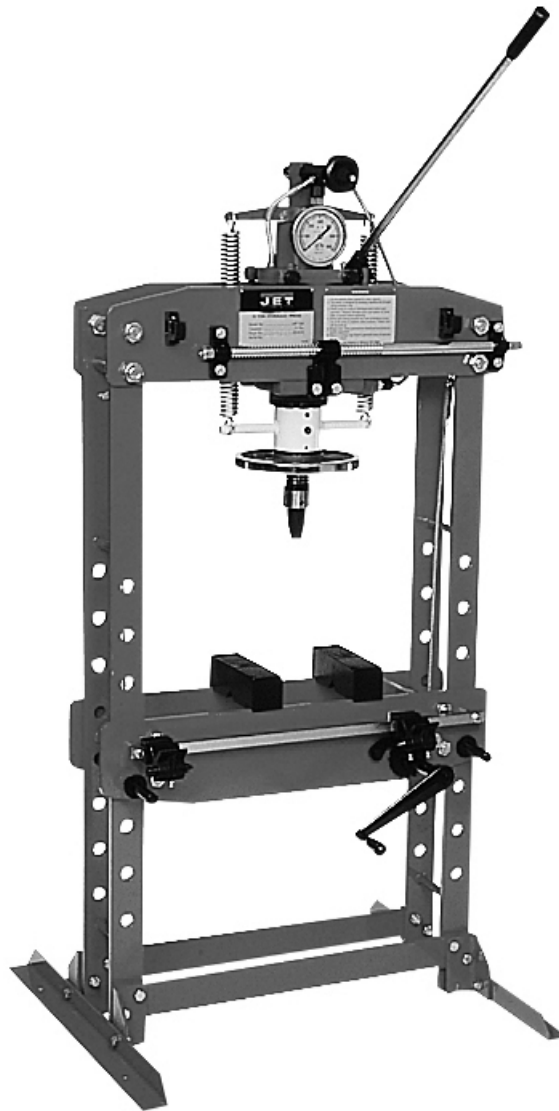




Hydraulic Press Parts List

Models HP-5A/15A/35A



Model HP-15A shown

WALTER MEIER (Manufacturing) Inc.

427 New Sanford Road
LaVergne, Tennessee 37086
Ph.: 800-274-6848
www.waltermeier.com

Part No. M-331406

Revision B 12/09

Copyright © 2009 Walter Meier (Manufacturing) Inc.

Warranty and Service

Walter Meier (Manufacturing) Inc., warrants every product it sells. If one of our tools needs service or repair, one of our Authorized Service Centers located throughout the United States can give you quick service. In most cases, any of these Walter Meier Authorized Service Centers can authorize warranty repair, assist you in obtaining parts, or perform routine maintenance and major repair on your JET® tools. For the name of an Authorized Service Center in your area call 1-800-274-6848.

MORE INFORMATION

Walter Meier is consistently adding new products to the line. For complete, up-to-date product information, check with your local Walter Meier distributor, or visit waltermeier.com.

WARRANTY

JET products carry a limited warranty which varies in duration based upon the product (MW = Metalworking, WW = Woodworking).

90 DAY WARRANTY	1 YEAR WARRANTY	Body Repair Kits Bottle Jacks Cable Pullers Cold Saws Hoists-Air Hoists-Electric Metal forming Mill/Drills Milling Machines MW Bandsaws MW Drill Presses MW Finishing Equipment MW Lathes MW Precision Vises	2 YEAR WARRANTY	Palet Trucks Rigging Equip. Service Jacks Stackers Surface Grinders Tapping Trolleys-Air Trolleys-Electric Web Slings Winches-Electric	3 YEAR WARRANTY	WW Benchtop Tools	5 YEAR WARRANTY	Beam Clamps Chain Hoist-Manual Lever Hoists Pullers-JCH Models Scissor Lift Tables Screw Jacks Trolleys-Geared Trolleys-Plain Winches-Manual WW Air Filtration WW Bandsaws WW Buffers	WW Drill Presses WW Dust Collectors WW Dust Filters WW Dust Fittings WW Jointers WW Lathes WW Planers WW Sanders WW Shapers WW Tablesaws	LIFE LIFETIME WARRANTY	Fastening Tools Mechanics Hand Tools Striking Tools Vises (no -precision) Clamps
Warranty reverts to 1 Year Warranty if woodworking (WW) products listed above are used for industrial or educational purposes.											

WHAT IS COVERED?

This warranty covers any defects in workmanship or materials subject to the exceptions stated below. Cutting tools, abrasives and other consumables are excluded from warranty coverage.

WHO IS COVERED?

This warranty covers only the initial purchaser of the product.

WHAT IS THE PERIOD OF COVERAGE?

The general JET warranty lasts for the time period specified in the product literature of each product.

WHAT IS NOT COVERED?

Five Year Warranties do not cover woodworking (WW) products used for commercial, industrial or educational purposes. Woodworking products with Five Year Warranties that are used for commercial, industrial or education purposes revert to a One Year Warranty. This warranty does not cover defects due directly or indirectly to misuse, abuse, negligence or accidents, normal wear-and-tear, improper repair or alterations, or lack of maintenance.

HOW TO GET SERVICE

The product or part must be returned for examination, postage prepaid, to a location designated by us. For the name of the location nearest you, please call 1-800-274-6848.

You must provide proof of initial purchase date and an explanation of the complaint must accompany the merchandise. If our inspection discloses a defect, we will repair or replace the product, or refund the purchase price, at our option. We will return the repaired product or replacement at our expense unless it is determined by us that there is no defect, or that the defect resulted from causes not within the scope of our warranty in which case we will, at your direction, dispose of or return the product. In the event you choose to have the product returned, you will be responsible for the shipping and handling costs of the return.

HOW STATE LAW APPLIES

This warranty gives you specific legal rights; you may also have other rights which vary from state to state.

LIMITATIONS ON THIS WARRANTY

WALTER MEIER (MANUFACTURING) INC., LIMITS ALL IMPLIED WARRANTIES TO THE PERIOD OF THE LIMITED WARRANTY FOR EACH PRODUCT. EXCEPT AS STATED HEREIN, ANY IMPLIED WARRANTIES OR MERCHANTABILITY AND FITNESS ARE EXCLUDED. SOME STATES DO NOT ALLOW LIMITATIONS ON HOW LONG THE IMPLIED WARRANTY LASTS, SO THE ABOVE LIMITATION MAY NOT APPLY TO YOU.

WALTER MEIER SHALL IN NO EVENT BE LIABLE FOR DEATH, INJURIES TO PERSONS OR PROPERTY, OR FOR INCIDENTAL, CONTINGENT, SPECIAL, OR CONSEQUENTIAL DAMAGES ARISING FROM THE USE OF OUR PRODUCTS. SOME STATES DO NOT ALLOW THE EXCLUSION OR LIMITATION OF INCIDENTAL OR CONSEQUENTIAL DAMAGES, SO THE ABOVE LIMITATION OR EXCLUSION MAY NOT APPLY TO YOU.

Walter Meier sells through distributors only. The specifications in Walter Meier catalogs are given as general information and are not binding. Members of Walter Meier reserve the right to effect at any time, without prior notice, those alterations to parts, fittings, and accessory equipment which they may deem necessary for any reason whatsoever. JET®-branded products are not sold in Canada by Walter Meier.

Table of Contents

Warranty and Service.....	2
Table of Contents	3
Warning	4
Specifications	5
Assembly	5
Replacement Parts	5
HP-5A Head Assembly	6
HP-5A Head Assembly – Parts List.....	7
HP-5A Frame Assembly.....	8
HP-5A Frame Assembly – Parts List.....	9
HP-15A Head Assembly	10
HP-15A Head Assembly – Parts List.....	11
HP-15A Frame Assembly.....	13
HP-15A Frame Assembly – Parts List	14
HP-35A Head Assembly	15
HP-35A Head Assembly – Parts List.....	16
HP-35A Frame Assembly.....	18
HP-35A Frame Assembly – Parts List.....	19



Warnings

1. Read and understand all safety warnings.
2. Replace the warning labels if they become obscured or removed.
3. This press is designed and intended for use by properly trained and experienced personnel only. If you are not familiar with the proper and safe operation of an hydraulic press, do not use until proper training and knowledge has been obtained
4. Do not operate this press beyond its rated capacity.
5. This press is designed for pressing, bending, and straightening purposes only.
6. Do not operate this tool while tired or under the influence of drugs, alcohol or any medication.
7. Check the press for loose or damaged parts before each operation. Replace damaged parts and tighten all loose bolts before operating.
8. Some parts being pressed may have a tendency to pop out of the press or explode under pressure. Protect yourself accordingly.
9. Always wear approved safety glasses/face shields and personal safety equipment. (Everyday eyeglasses only have impact resistant lenses; they are *not* safety glasses.)
10. Failure to comply with these warnings may result in serious injury.

Specifications

	HP-5A	HP-15A	HP-35A
Model Number	331406	331416	331431
Stock Number	331406	331416	331431
Capacity (ton)	5	15	35
Ram Diameter (in.)	1-3/4	2-1/2	3
Piston Stroke (in.)	4	4-1/2	4-3/4
Screw Stroke (in.)	3	3-1/8	4
Work Table (in.)	19 x 5-1/2	24-3/4 x 7-1/2	31 x 10-3/8
Lateral Movement (in.)	NA	10-3/16	15
Vertical Travel (in.)	18-3/4	22-3/16	22-1/4
Base Size (in.)	23-1/2 x 26	33-7/8 x 29-1/2	43-1/2 x 55-1/2
Height (in.)	51-1/2	65	68
Net Weight (lbs.)	154	431	704

The above specifications were current at the time this manual was published, but because of our policy of continuous improvement, Walter Meier (Manufacturing) Inc., reserves the right to change specifications at any time and without prior notice, without incurring obligations.

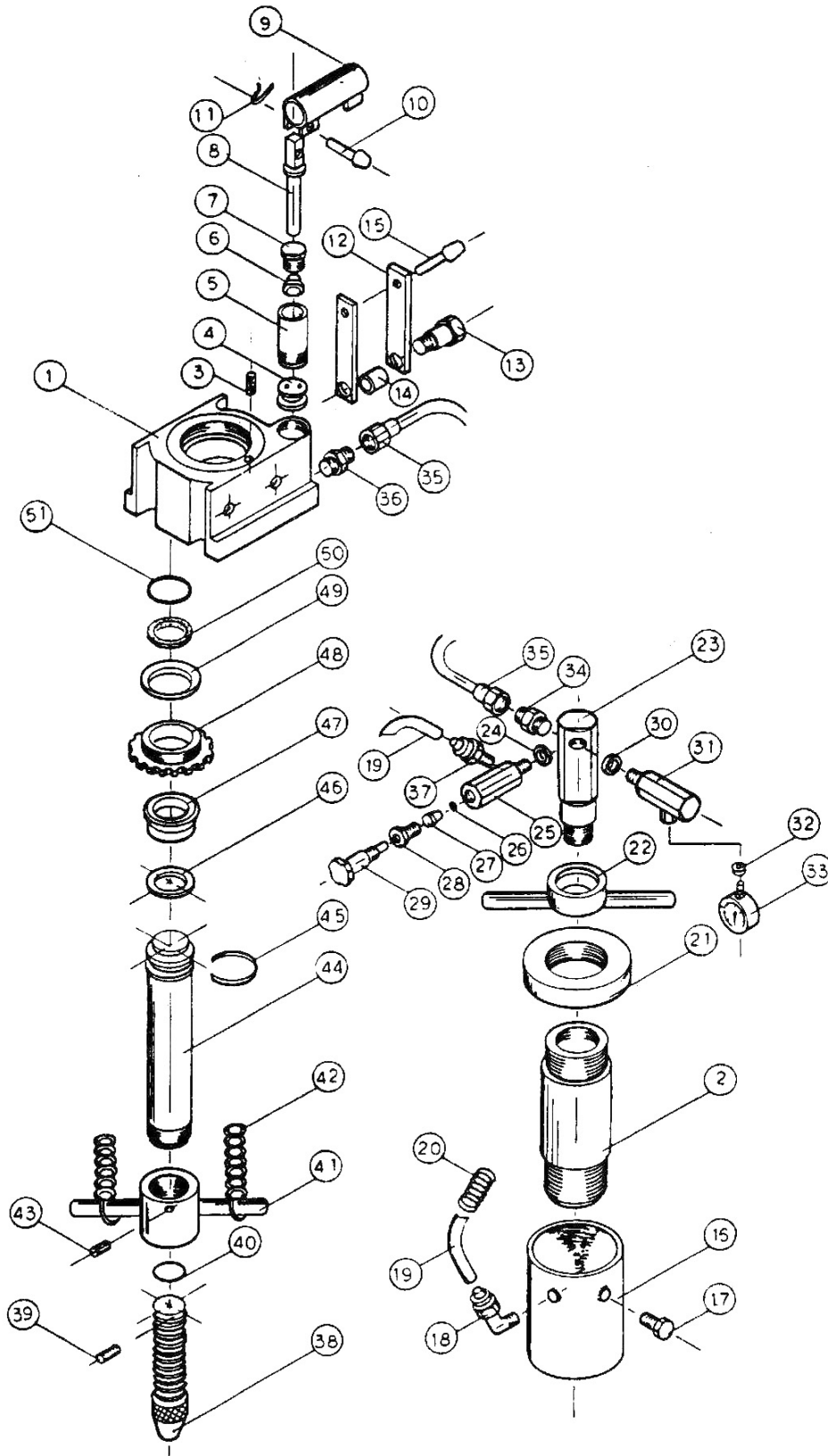
Assembly

1. Bolt the stand feet to the stand frame with the enclosed hardware.
2. Replace the hex filler plug (part #17 – HP-5A, part #8A – HP-15A, and part #8D – HP-35A) with the enclosed vented plug.

Replacement Parts

To order parts or reach our service department, call 1-800-274-6848, Monday through Friday (see our website for business hours, www.waltermeier.com). Having the Model Number and Serial Number of your machine available when you call will allow us to serve you quickly and accurately.

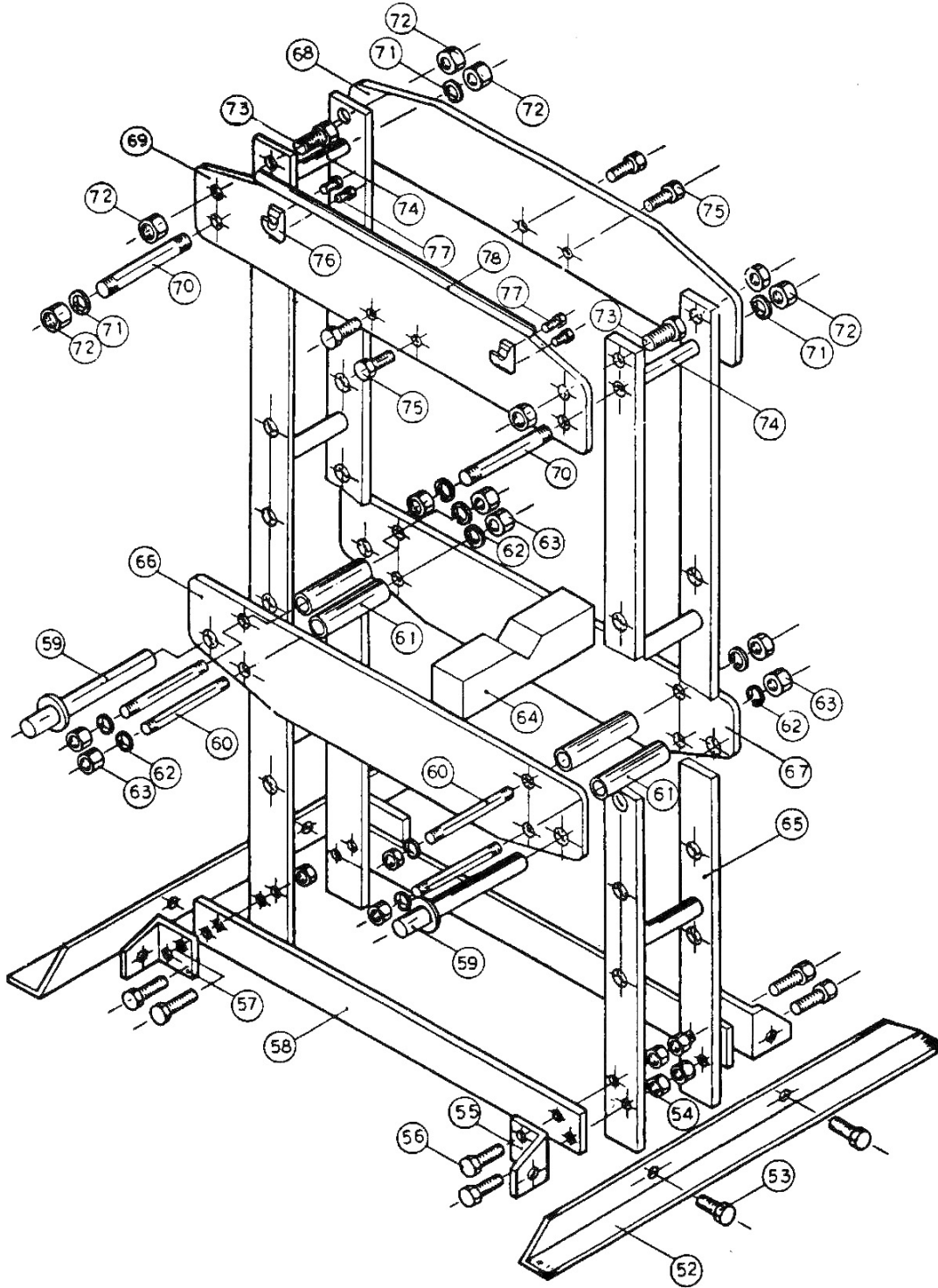
HP-5A Head Assembly



HP-5A Head Assembly – Parts List

Index No.	Part No.	Description	Size	Qty
1	HP5A-1	Hydraulic Base		1
2	HP5A-2	Cylinder		1
3	HP5A-3	Base Filter **		1
4	HP5A-4	Single Action Valve		1
5	HP5A-5	Pump Cylinder		1
6	HP5A-6	Cup Seal **		1
7	HP5A-7	Release Valve Assembly		1
8	HP5A-8	Pin		1
9	HP5A-9	Handle Socket		1
10	HP5A-10	Bolt		1
11	HP5A-11	C-Clip		1
12	HP5A-12	Linking Sleeve		1
13	HP5A-13	Fixed Screw		2
14	HP5A-14	Spacer		1
15	HP5A-15	Bolt		1
16	HP5A-16	Reservoir		1
17	HP5A-17	Hex Filler Plug w/Seal **		2
18	HP5A-18	Brass Tube Connector **		1
19	HP5A-19	Plastic Tube **		1
20	HP5A-20	Spring **		1
21	HP5A-21	Top Base		1
22	HP5A-22	Spring Top Holder		1
23	HP5A-23	Oil Pass Connector		1
24	HP5A-24	Washer **		1
25	HP5A-25	Release Valve Block		1
26	HP5A-26	Steel Ball **		1
27	HP5A-27	Rubber Spacer		1
28	HP5A-28	Release Valve Assembly		1
29	HP5A-29	Release Valve Spindle		1
30	HP5A-30	Washer **		1
31	HP5A-31	Release Valve Block		1
32	HP5A-32	Washer **		1
33	HP5A-33	Pressure Gauge		1
34	HP5A-34	Male Connect Tube		1
35	HP5A-35	Bronze Tube		1
36	HP5A-36	Male Connector		1
37	HP5A-37	Brass Tube Connector **		1
38	HP5A-38	Extension Screw		1
39	HP5A-39	Stopper Roll Pin		1
40	HP5A-40	Stopper **		1
41	HP5A-41	Connector Post		1
42	HP5A-42	Return Spring		2
43	TS-0270031	Set Screw	5/16"-18 x 3/8"	1
44	HP5A-44	Plunger		1
45	HP5A-45	Teflon Support Ring **		1
46	HP5A-46	Support Seal **		1
47	HP5A-47	Cup Seal **		1
48	HP5A-48	Plug Nut		1
49	HP5A-49	Gasket **		1
50	HP5A-50	Oil Absorber **		1
51	HP5A-51	Seal		1
	HP5A-RK	Repair Kit (includes items marked with **)		

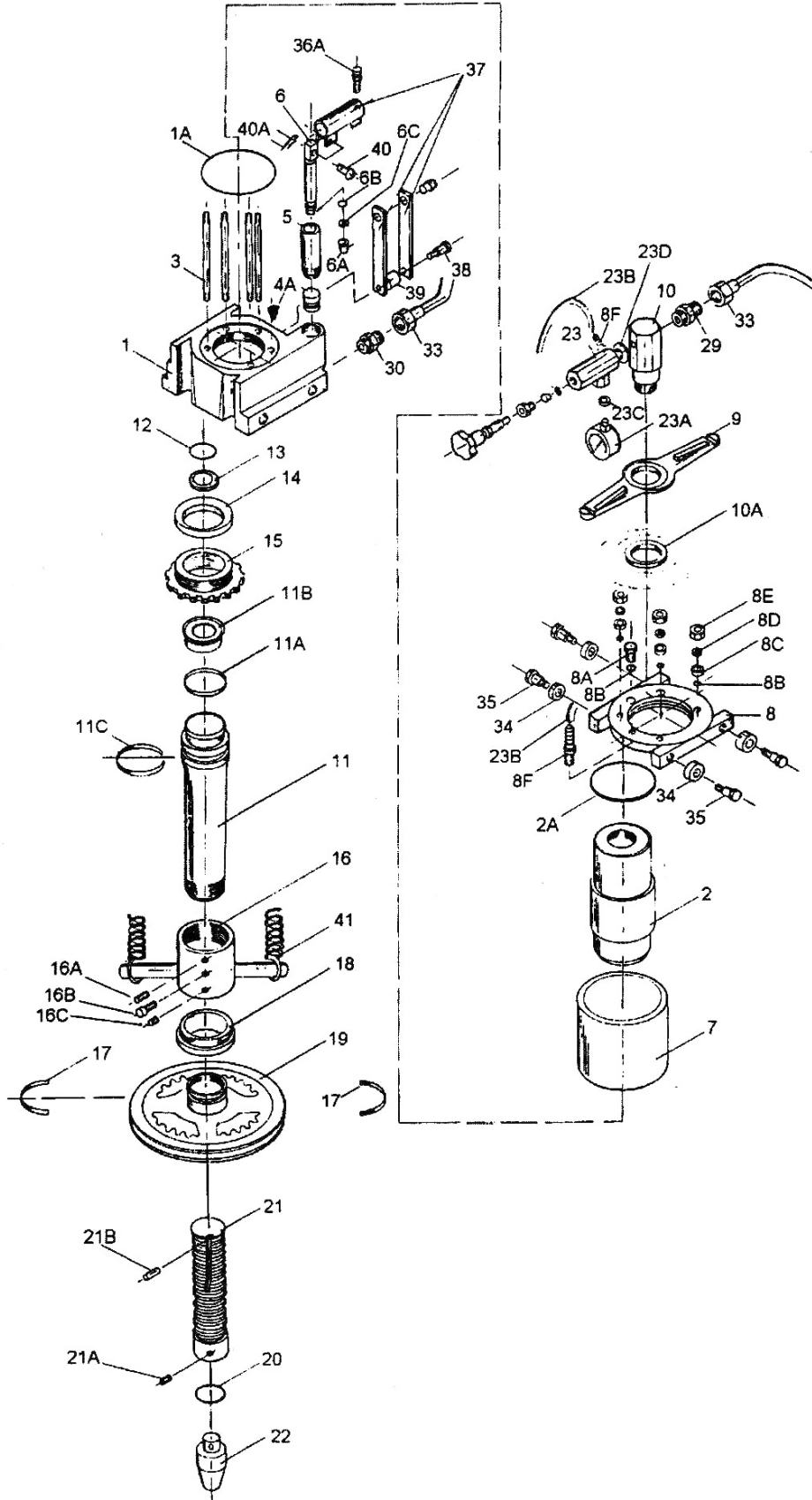
HP-5A Frame Assembly



HP-5A Frame Assembly – Parts List

Index No.	Part No.	Description	Size	Qty
52	HP5A-52	Frame Bracket		2
53	TS-0060051	Hex Cap Screw	3/8"-16 x 1"	4
54	TS-0561031	Hex Nut	3/8"-16	12
55	HP5A-55	Frame Base Bracket		2
56	TS-0060071	Hex Cap Screw	3/8"-16 x 1-1/2"	8
57	HP5A-57	Frame Base Bracket		2
58	HP5A-58	Lower Frame Support		2
59	HP5A-59	Table Holder		2
60	HP5A-60	Table Spindle		4
61	HP5A-61	Crank Shaft Sleeve		4
62	TS-0720111	Lock Washer	1/2"	8
63	TS-0561051	Hex Nut	1/2"-13	8
64	HP5A-64	Bed Plate		1
65	HP5A-65	Main Frame (L-R post)		2
66	HP5A-66	Table Frame (Front)		1
67	HP5A-67	Table Frame (Rear)		1
68	HP5A-68	Top Frame (rear)		1
69	HP5A-69	Top Frame (front)		1
70	HP5A-70	Frame Spindle		1
71	TS-0720131	Lock Washer	5/8"	8
72	TS-0561071	Hex Nut	5/8"-11	8
73	TS-0071011	Hex Cap Screw	5/8"-11 x 1-1/2"	4
74	HP5A-74	Spindle Sleeve		2
75	TS-0071011	Hex Cap Screw	5/8"-11 x 1-1/2"	4
76	HP5A-76	Handle Holder		2
77	TS-0081031	Hex Cap Screw	5/16"-18 x 3/4"	4
78	HP5A-78	Pump Handle		1
79	HP5A-ID	Identification Label (not shown)		1

HP-15A Head Assembly

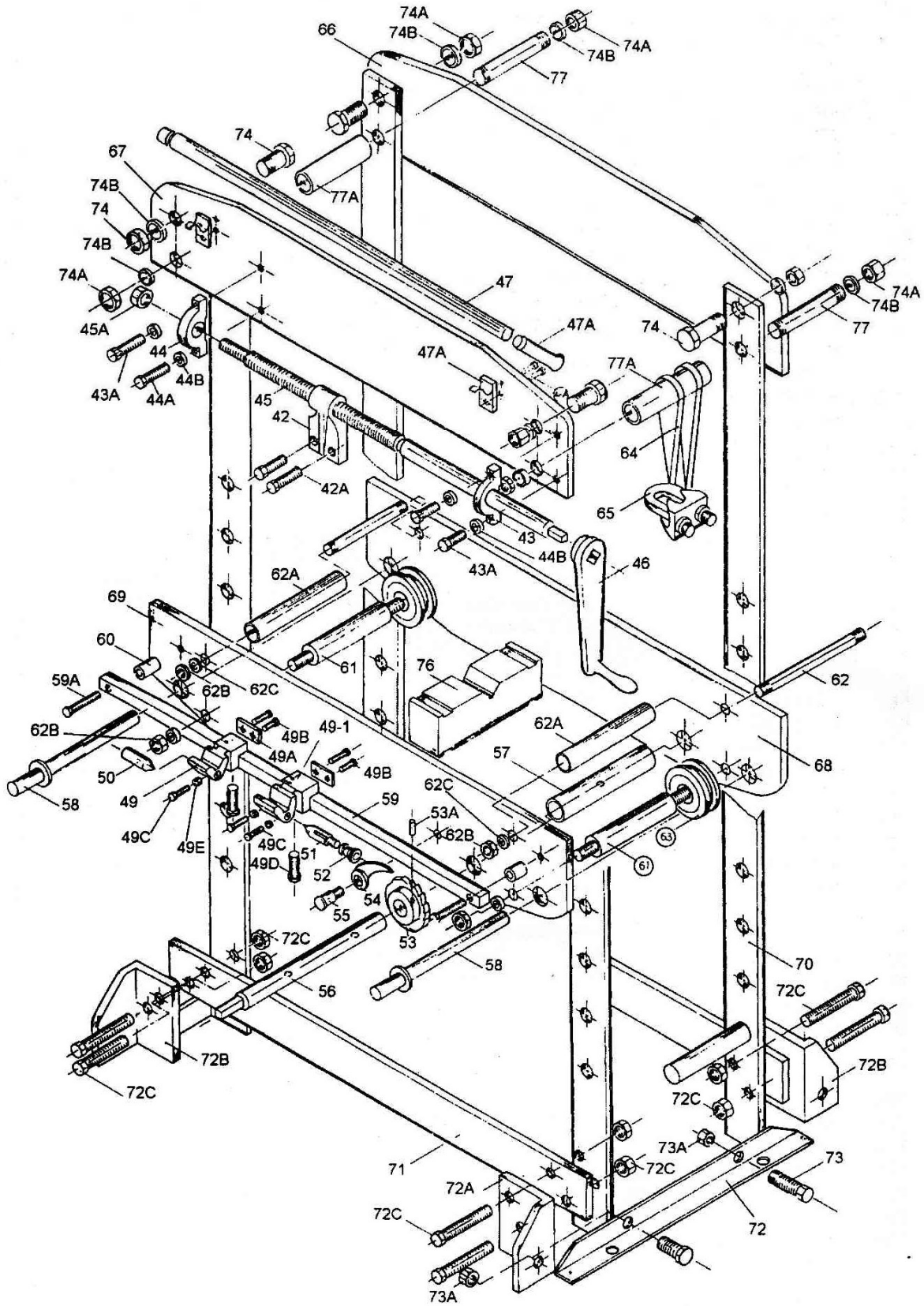


HP-15A Head Assembly – Parts List

Index No.	Part No.	Description	Size	Qty
1	HP15A-01	Hydraulic Base		1
1A	HP15A-01A	Base Seal **		1
2	HP15A-02	Cylinder		1
2A	HP15A-02A	Seal **		1
3	HP15A-03	Support Rod		4
4	HP15A-04	Single Action Valve		1
4A	HP15A-04A	Base Filter **		1
5	HP15A-05	Pump Cylinder		1
6	HP15A-06	Piston		1
6A	HP15A-06A	Cup Seal **		1
6B	HP15A-06B	Seal **		1
6C	HP15A-06C	Wiper Seal **		1
7	HP15A-07	Reservoir		1
8	HP15A-08	Top Base		1
8A	HP15A-08A	Hex Filler Plug w/ Seal		1
8B	HP15A-08B	O-Ring **		5
8C	HP15A-08C	Spacer		4
8D	TS-0720091	Lock Washer	3/8"	4
8E	TS-0561031	Hex Nut	3/8"-16	4
8F	HP15A-08F	Brass Tube Connector		2
9	HP15A-09	Spring Top Holder		1
10	HP15A-10	Oil Pass Connector		1
10A	HP15A-10A	Spacer		1
11	HP15A-11	Plunger		1
11A	HP15A-11A	Support Seal **		1
11B	HP15A-11B	Cup Seal **		1
11C	HP15A-11C	Teflon Support Ring **		1
12	HP15A-12	Seal **		1
13	HP15A-13	Oil Absorber **		1
14	HP15A-14	Gasket **		1
15	HP15A-15	Plug Nut Fixer		1
16	HP15A-16	Connector Post		1
16A	HP15A-16A	Screw		1
16B	HP15A-16B	Screw		1
16C	HP15A-16C	Screw		1
17	HP15A-17	Hand Wheel Fixer		2
18	HP15A-18	Hand Wheel Spacer		1
19	HP15A-19	Hand Wheel		1
20	HP15A-20	Seal		1
21	HP15A-21	Extension Screw		1
21A	HP15A-21A	Set Screw		1
21B	HP15A-21B	Stopper Roll Pin		1
22	HP15A-22	Press Head		1
23	HP15A-23	Release Valve Block		1
23A	HP15A-23A	Pressure Gauge		1
23B	HP15A-23B	Plastic Tube		1
23C	HP15A-23C	Washer		1
23D	HP15A-23D	Spacer		1
24	HP15A-24	Steel Ball		1
25	HP15A-25	Release Valve Seal **		1
26	HP15A-26	Release Valve Nut		1
27	HP15A-27	Release Valve		1
29	HP15A-29	Male Connector		1
30	HP15A-30	Male Connector		1
33	HP15A-33	Bronze Tube		1
34	HP15A-34	Sliding Wheel		4
35	HP15A-35	Locking Screw		4

36A.....	HP15A-36A	Hand Stopper	1
37.....	HP15A-37	Complete Handle Sleeve Assembly	1
38.....	HP15A-38	Fixed Screw	1
39.....	HP15A-39	Spacer	1
40.....	HP15A-40	Pin.....	1
40A.....	HP15A-40A	Cotter Pin.....	1
41.....	HP15A-41	Return Spring	2
.....	HP15A-RKA	Hydraulic Repair Kit (includes items marked with **)

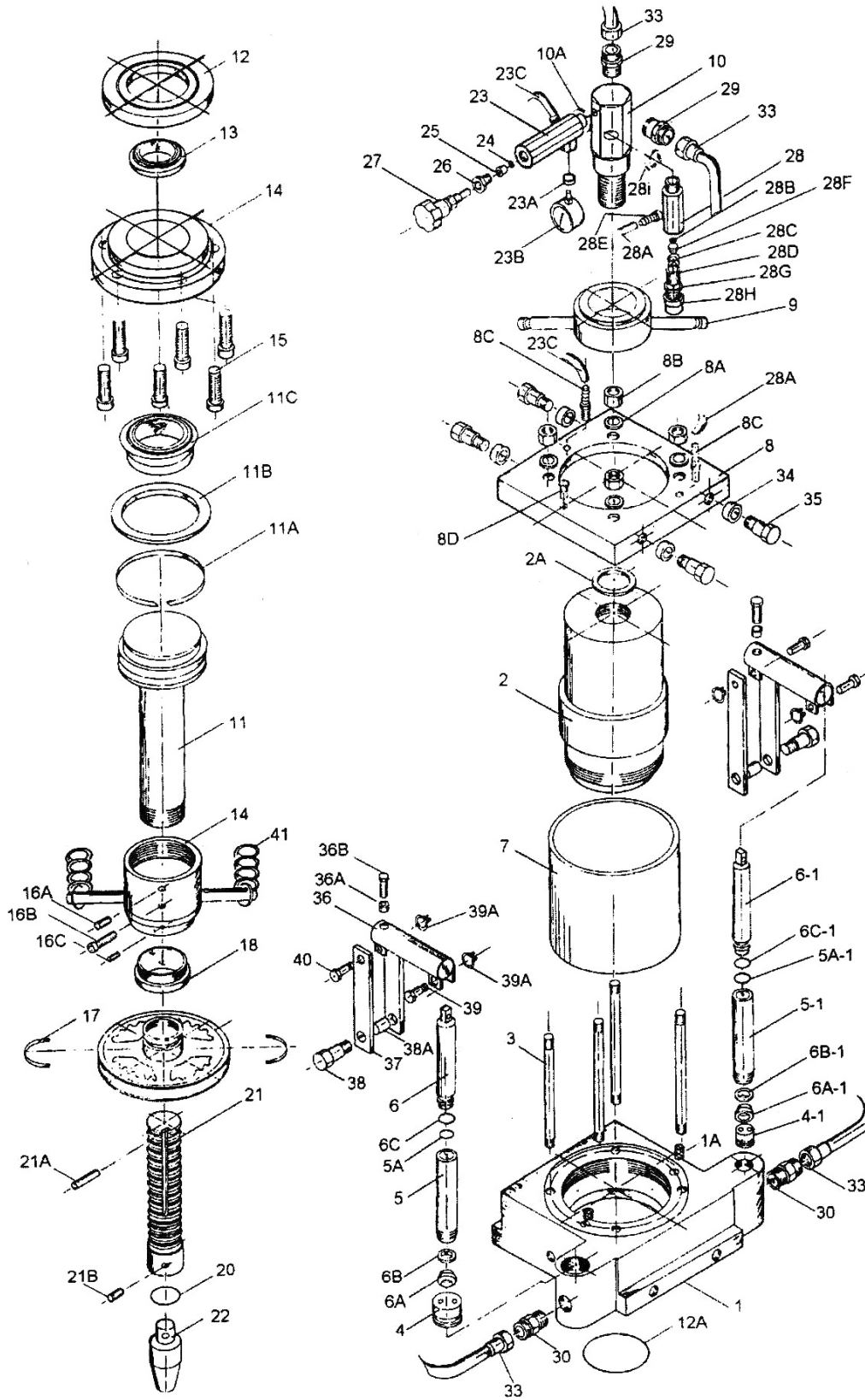
HP-15A Frame Assembly



HP-15A Frame Assembly – Parts List

Index No.	Part No.	Description	Size	Qty
42	HP15A-42	Shaft Holder		1
42A	TS-0070011	Hex Cap Screw	1/2"-13 x 1"	2
43	HP15A-43	Rolling Shaft Block without Thread		1
43A	TS-0060061	Hex Cap Screw	3/8"-16 x 1-1/4"	3
44	HP15A-44	Rolling Shaft Block with Thread		1
44A	TS-0060051	Hex Cap Screw	3/8"-16 x 1"	1
44B	HP15A-44B	Washer		4
45	HP15A-45	Rolling Shaft		1
45A	HP15A-45A	Nut		2
46	HP15A-46	Hand Crank		1
47	HP15A-47	Pump Handle		1
47A	HP15A-47A	Rubber Grip		1
48	HP15A-48	Handle Holder		2
48A	HP15A-48A	Handle Holder Screw		2
49	HP15A-49	V-Block Body		1
49A	HP15A-49A	Body Sliding Plate		2
49-1	HP15A-49-1	V-Block Body		1
49B	HP15A-49B	Body Sliding Plate		2
49C	HP15A-49C	Hex Screw		4
49D	HP15A-49D	Hex Screw		3
49E	HP15A-49E	Stopper		2
50	HP15A-50	Center Tails		2
51	HP15A-51	Adjustable Center – Tail Body		1
52	HP15A-52	Adjustable Center – Tail Knob		1
53	HP15A-53	Crank Gear		1
53A	HP15A-53A	Roll Pin		1
54	HP15A-54	Crank Gear Pawl		1
55	HP15A-55	Pawl Stud Screw		1
56	HP15A-56	Crank Gear Shaft		1
57	HP15A-57	Spindle Sleeve		2
58	HP15A-58	Table Holder		1
59	HP15A-59	Square Bar		1
59A	HP15A-59A	Center Tail Assembly Screw		2
60	HP15A-60	Screw Spacer		2
61	HP15A-61	Cable Sliding Spindle		1
61A	HP15A-61A	Hex Nut		2
62	HP15A-62	Table Spindle		2
62A	HP15A-62A	Crank Shaft Sleeve		1
63	HP15A-63	Cable Slide Wheel		1
64	HP15A-64	Cable		1
65	HP15A-65	Wire Rope Clip		1
66	HP15A-66	Top Frame (Rear)		1
67	HP15A-67	Top Frame (Front)		2
68	HP15A-68	Table Frame (Rear)		1
69	HP15A-69	Table Frame (Front)		1
70	HP15A-70	Main Frame (Left/Right Post)		2
71	HP15A-71	Lower Frame Support		2
72	HP15A-72	Frame Bracket		2
72A	HP15A-72A	Frame Base Bracket		2
72B	HP15A-72B	Frame Base Bracket		2
72C	HP15A-72C	Bolt		8
72D	HP15A-72D	Nut		8
73	HP15A-73	Bolt		4
73A	HP15A-73A	Nut		4
74	HP15A-74	Hex Bolt		4
76	HP15A-76	Bed Plate		2
77	HP15A-77	Frame Spindle		2
77A	HP15A-77A	Spindle Sleeve		2
78	HP15A-ID	Identification Label (not shown)		1

HP-35A Head Assembly

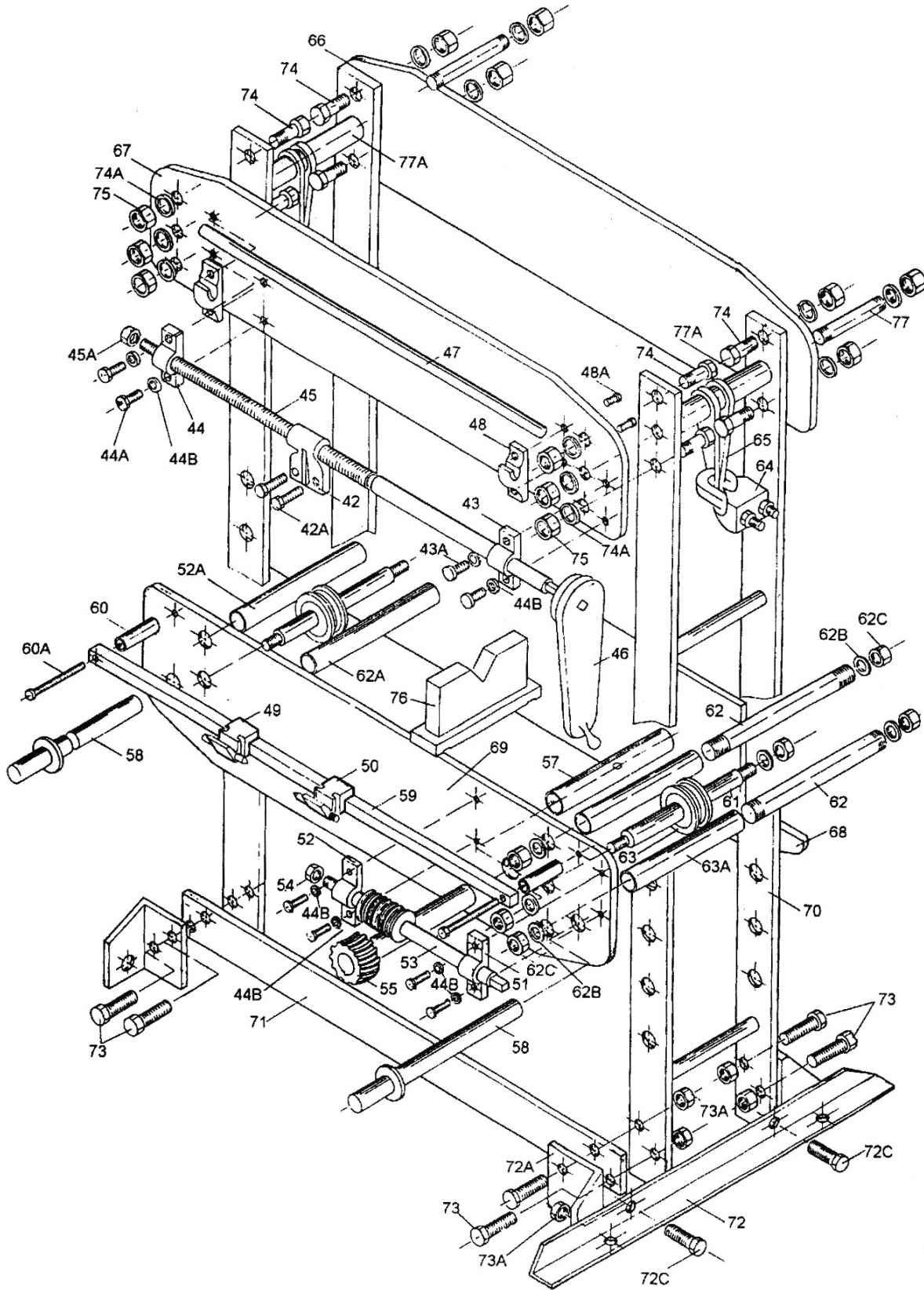


HP-35A Head Assembly – Parts List

Index No.	Part No.	Description	Size	Qty
1	HP35A-01	Base		1
1A	HP35A-01A	Base Filter **		2
2	HP35A-02	Cylinder		1
2A	HP35A-02A	Spacer		1
3	HP35A-03	Support Rod		4
4	HP35A-04	Single Action Valve		1
4-1	HP35A-04-1	Single Action Valve		1
5	HP35A-05	Pump Cylinder – Fast		1
5-1	HP35A-05-1	Pump Cylinder – Slow		1
5A	HP35A-05A	O-Ring **		1
5A-1	HP35A-05A-1	O-Ring **		1
6	HP35A-06	Shaft		1
6-1	HP35A-06-1	Shaft		1
6A	HP35A-06A	Cup Seal **		1
6A-1	HP35A-06A-1	Cup Seal **		1
6B	HP35A-06B	Wiper Seal **		1
6B-1	HP35A-06B-1	Wiper Seal **		1
6C	HP35A-06C	O-Ring **		1
6C-1	HP35A-06C-1	O-Ring **		1
7	HP35A-07	Reservoir		1
8	HP35A-08	Hydraulic Base Top		1
8A	TS-0720111	Lock Washer	1/2"	4
8B	TS-0561051	Hex Nut	1/2"-13	4
8C	HP35A-08C	Brass Tube Connector		3
8D	HP35A-08D	Hex Filler Plug w/ Seal		1
9	HP35A-09	Connector Post		1
10	HP35A-10	Oil Pass Connector		1
10A	HP35A-10A	Spacer		1
11	HP35A-11	Plunger		1
11A	HP35A-11A	Teflon Supporting Ring **		1
11B	HP35A-11B	Spacer Ring		1
11C	HP35A-11C	Cup Seal **		1
12	HP35A-12	Brass Gasket		1
12A	HP35A-12A	O-Ring **		1
13	HP35A-13	Seal **		1
14	HP35A-14	Plunger Plate w/Gasket		1
15	TS-0209061	Socket Head Cap Screw	3/8"-16 x 1-1/4"	6
16	HP35A-16	Connector Post		1
16A	HP35A-16A	Socket Set Screw		1
16B	HP35A-16B	Socket Head Cap Screw		1
16C	HP35A-16C	Socket Set Screw		1
17	HP35A-17	Handle Wheel Retainer Clip		2
18	HP35A-18	Handle Wheel Spacer		1
19	HP35A-19	Handle Wheel		1
20	HP35A-20	Seal		1
21	HP35A-21	Extension Screw		1
21A	HP35A-21A	Stopper Roll Pin		1
21B	HP35A-21B	Set Screw		1
22	HP35A-22	Press Head		1
23	HP35A-23	Release Valve Block		1
23A	HP35A-23A	Spacer		1
23B	HP35A-23B	Pressure Gauge		1
23C	HP35A-23C	Plastic Tube		1
24	HP35A-24	Steel Ball		1
25	HP35A-25	Release Valve Seal **		1
26	HP35A-26	Release Valve Nut		1
27	HP35A-27	Release Valve		1

28	HP35A-28	Safety Valve Block	1
28A	HP35A-28A	Plastic Tube	1
28B	HP35A-28B	Steel Ball	1
28C	HP35A-28C	Safety Spring	1
28D	HP35A-28D	Safety Valve Set Screw	1
28E	HP35A-28E	Brass Tube Connector	1
28F	HP35A-28F	Release Valve Seal **	1
28G	HP35A-28G	Washer	1
28H	HP35A-28H	Hex Nut	1
28I	HP35A-28I	Spacer	1
29	HP35A-29	Male Connector	2
30	HP35A-30	Male Connector	2
33	HP35A-33	Bronze Tube	2
34	HP35A-34	Sliding Wheel	4
35	HP35A-35	Hex Locking Bolt	4
36	HP35A-36	Handle Socket	2
36A	TS-0561031	Hex Nut 3/8"-16	2
36B	TS-0060051	Hex Cap Screw 3/8"-16 x 1"	2
37	HP35A-37	Linking Sleeve	4
38	HP35A-38	Bottom Fixed Bolt	2
38A	HP35A-38A	Spacer	2
39	HP35A-39	Bolt	2
39A	HP35A-39A	C-Clip	4
40	HP35A-40	Bolt	2
41	HP35A-41	Return Spring	2
	HP35A-RK	Hydraulic Repair Kit (includes items marked with **)	

HP-35A Frame Assembly



HP-35A Frame Assembly – Parts List

Index No.	Part No.	Description	Size	Qty
42	HP35A-42	Shaft Holder		1
42A	HP35A-42A	Hex Cap Head Bolt		2
43	HP35A-43	Rolling Shaft Block		1
43A	TS-0060061	Hex Cap Screw	3/8"-16 x 1-1/4"	2
44	HP35A-44	Rolling Shaft Block		1
44A	TS-0060051	Hex Cap Screw	3/8"-16 x 1"	2
44B	TS-0680041	Flat Washer	3/8"	8
45	HP35A-45	Sliding Shaft		1
45A	TS-0561072	Hex Nut	5/8"-18	1
46	HP35A-46	Hand Crank		1
47	HP35A-47	Handle		1
48	HP35A-48	Handle Holder		2
48A	TS-0051051	Hex Cap Screw	5/16"-18 x 1"	4
49	HP35A-49	Center Post Assembly (left)		1
50	HP35A-50	Center Post Assembly (right)		1
51	HP35A-51	Fixed Holder		1
52	HP35A-52	Shaft Fixed Block		1
53	HP35A-53	Drive Gear Shaft Assembly		1
54	HP35A-54	Hex Nut		1
55	HP35A-55	Worm Gear w/ Shaft		1
56	TS-0060051	Hex Cap Screw	3/8"-16 x 1"	4
57	HP35A-57	Spacer Sleeve		1
58	HP35A-58	Table Holder Pin		1
59	HP35A-59	Square Bar		1
60	HP35A-60	Screw Spacer		2
60A	TS-0060151	Hex Cap Screw	3/8" x 3-1/2"	2
61	HP35A-61	Slide Wheel Shaft		2
62	HP35A-62	Table Bolt		4
62A	HP35A-62A	Spindle Sleeve		8
62B	TS-0720131	Lock Washer	5/8"	12
62C	TS-0561071	Hex Nut	5/8"-11	12
63	HP35A-63	Cable Slide Wheel		2
64	HP35A-64	Wire Rope Clip		2
65	HP35A-65	Cable		1
66	HP35A-66	Top Frame (Rear)		1
67	HP35A-67	Top Frame (Front)		1
68	HP35A-68	Table Frame (Rear)		1
69	HP35A-69	Table Frame (Front)		1
70	HP35A-70	Main Frame		2
71	HP35A-71	Lower Frame Support		2
72	HP35A-72	Base Frame Bracket		2
72A	HP35A-72A	Frame Bracket (Left)		2
72B	HP35A-72B	Frame Bracket (Right)		2
72C	TS-0071011	Hex Cap Screw	5/8"-11 x 1-1/2"	4
73	TS-0071031	Hex Cap Screw	5/8"-11 x 2"	8
73A	TS-0561071	Hex Nut	5/8"-11	12
74	HP35A-74	Hex Head Bolt	3/4" x 2"	8
74A	TS-0720141	Lock Washer	3/4"	12
75	TS-0561081	Hex Nut	3/4"-10	12
76	HP35A-76	V-Block Bed Plate		2
77	HP35A-77	Top Link Bolt		2
77A	HP35A-77A	Spacer Sleeve		2
78	HP35A-ID	Identification Label (not shown)		1



WALTER MEIER (Manufacturing) Inc.

427 New Sanford Road
LaVergne, Tennessee 37086
Phone: 800-274-6848
www.waltermeier.com