

JET[®]

Model No.:	Stock No.:
Serial No.:	
Purchased From:	
Date Purchased:	Date Installed:

Parts List and Electrical Diagrams ZH Series Large Bore Lathes Models GH-2680ZH; GH-26120ZH



Model GH-2680ZH shown

For ZH-Series Lathes Operation and Maintenance Instructions, see document M-321860

WALTER MEIER (Manufacturing) Inc.

427 New Sanford Road
LaVergne, Tennessee 37086
Ph.: 800-274-6848
www.waltermeier.com

Part No. M-321860-1
Revision B 07/2012

Copyright © 2012 Walter Meier (Manufacturing) Inc.

1.0 Warranty and Service

Walter Meier (Manufacturing) Inc., warrants every product it sells. If one of our tools needs service or repair, one of our Authorized Service Centers located throughout the United States can give you quick service. In most cases, any of these Walter Meier Authorized Service Centers can authorize warranty repair, assist you in obtaining parts, or perform routine maintenance and major repair on your JET® tools. For the name of an Authorized Service Center in your area call 1-800-274-6848.

MORE INFORMATION

Walter Meier is consistently adding new products to the line. For complete, up-to-date product information, check with your local Walter Meier distributor, or visit waltermeier.com.

WARRANTY

JET products carry a limited warranty which varies in duration based upon the product (MW = Metalworking, WW = Woodworking).

90 DAY WARRANTY	1 YEAR WARRANTY	Body Repair Kits Bottle Jacks Cable Pullers Cold Saws Hoists-Air Hoists-Electric Metal forming Mill/Drills Milling Machines MW Bandsaws MW Drill Presses MW Finishing Equipment MW Lathes MW Precision Vises	2 YEAR WARRANTY	Palet Trucks Rigging Equip. Service Jacks Stackers Surface Grinders Tapping Trolleys-Air Trolleys-Electric Web Slings Winches-Electric	3 YEAR WARRANTY	WW Benchtop Tools	5 YEAR WARRANTY	Beam Clamps Chain Hoist- Manual Lever Hoists Pullers-JCH Models Scissor Lift Tables Screw Jacks Trolleys-Geared Trolleys-Plain Winches-Manual WW Air Filtration WW Bandsaws WW Buffers	WW Drill Presses WW Dust Collectors WW Dust Filters WW Dust Fittings WW Jointers WW Lathes WW Planers WW Sanders WW Shapers WW Tablesaws	LIFE LIFETIME WARRANTY	Fastening Tools Mechanics Hand Tools Striking Tools Vises (no -precision) Clamps
Warranty reverts to 1 Year Warranty if woodworking (WW) products listed above are used for industrial or educational purposes.											

WHAT IS COVERED?

This warranty covers any defects in workmanship or materials subject to the exceptions stated below. Cutting tools, abrasives and other consumables are excluded from warranty coverage.

WHO IS COVERED?

This warranty covers only the initial purchaser of the product.

WHAT IS THE PERIOD OF COVERAGE?

The general JET warranty lasts for the time period specified in the product literature of each product.

WHAT IS NOT COVERED?

Five Year Warranties do not cover woodworking (WW) products used for commercial, industrial or educational purposes. Woodworking products with Five Year Warranties that are used for commercial, industrial or education purposes revert to a One Year Warranty. This warranty does not cover defects due directly or indirectly to misuse, abuse, negligence or accidents, normal wear-and-tear, improper repair or alterations, or lack of maintenance.

HOW TO GET SERVICE

The product or part must be returned for examination, postage prepaid, to a location designated by us. For the name of the location nearest you, please call 1-800-274-6848.

You must provide proof of initial purchase date and an explanation of the complaint must accompany the merchandise. If our inspection discloses a defect, we will repair or replace the product, or refund the purchase price, at our option. We will return the repaired product or replacement at our expense unless it is determined by us that there is no defect, or that the defect resulted from causes not within the scope of our warranty in which case we will, at your direction, dispose of or return the product. In the event you choose to have the product returned, you will be responsible for the shipping and handling costs of the return.

HOW STATE LAW APPLIES

This warranty gives you specific legal rights; you may also have other rights which vary from state to state.

LIMITATIONS ON THIS WARRANTY

WALTER MEIER (MANUFACTURING) INC., LIMITS ALL IMPLIED WARRANTIES TO THE PERIOD OF THE LIMITED WARRANTY FOR EACH PRODUCT. EXCEPT AS STATED HEREIN, ANY IMPLIED WARRANTIES OR MERCHANTABILITY AND FITNESS ARE EXCLUDED. SOME STATES DO NOT ALLOW LIMITATIONS ON HOW LONG THE IMPLIED WARRANTY LASTS, SO THE ABOVE LIMITATION MAY NOT APPLY TO YOU.

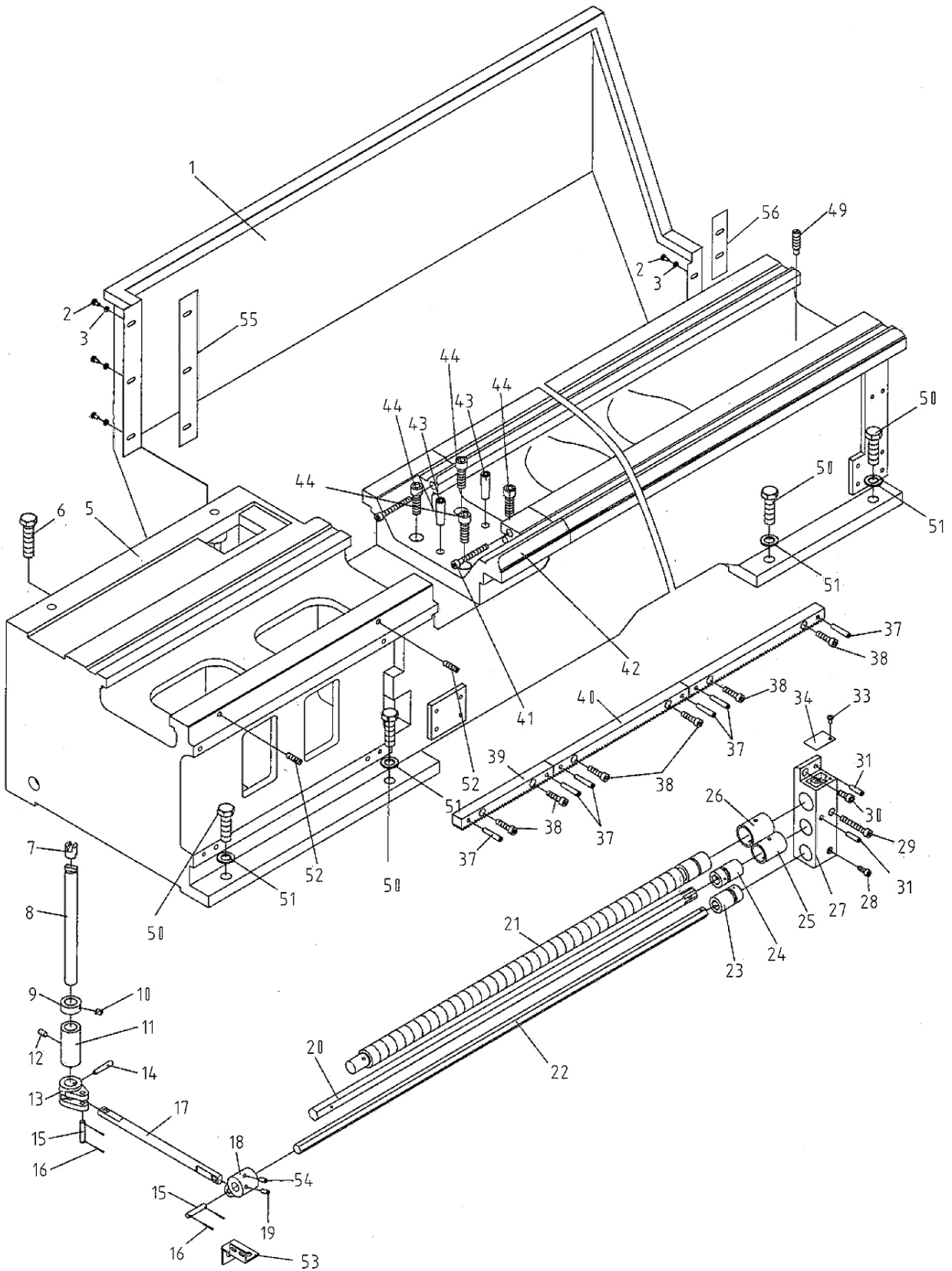
WALTER MEIER SHALL IN NO EVENT BE LIABLE FOR DEATH, INJURIES TO PERSONS OR PROPERTY, OR FOR INCIDENTAL, CONTINGENT, SPECIAL, OR CONSEQUENTIAL DAMAGES ARISING FROM THE USE OF OUR PRODUCTS. SOME STATES DO NOT ALLOW THE EXCLUSION OR LIMITATION OF INCIDENTAL OR CONSEQUENTIAL DAMAGES, SO THE ABOVE LIMITATION OR EXCLUSION MAY NOT APPLY TO YOU.

Walter Meier sells through distributors only. The specifications in Walter Meier catalogs are given as general information and are not binding. Members of Walter Meier reserve the right to effect at any time, without prior notice, those alterations to parts, fittings, and accessory equipment which they may deem necessary for any reason whatsoever. JET®-branded products are not sold in Canada by Walter Meier.

2.0 Table of Contents

1.0 Warranty and Service.....	2
2.0 Table of Contents.....	3
3.0 Bed Assembly I – Exploded View.....	4
3.1 Bed Assembly I – Parts List	5
4.0 Bed Assembly II – Exploded View.....	6
4.1 Bed Assembly II – Parts List	7
5.0 Headstock Assembly I – Exploded View	8
5.1 Headstock Assembly I – Parts List	9
6.0 Headstock Assembly II – Exploded View	11
6.1 Headstock Assembly II – Parts List	12
7.0 Headstock Assembly III – Exploded View	14
7.1 Headstock Assembly III – Parts List	15
8.0 Headstock Assembly IV – Exploded View.....	16
8.1 Headstock Assembly IV – Parts List	17
9.0 Headstock Assembly V – Exploded View.....	19
9.1 Headstock Assembly V – Parts List	20
10.0 Gear Assembly – Exploded View	21
10.1 Gear Assembly – Parts List.....	21
11.0 Gear Box Assembly I – Exploded View	22
11.1 Gear Box Assembly I – Parts List.....	22
12.0 Gear Box Assembly II – Exploded View	23
12.1 Gear Box Assembly II – Parts List.....	24
13.0 Gear Box Assembly III – Exploded View	26
13.1 Gear Box Assembly III – Parts List.....	27
14.0 Saddle and Cross Slide Assembly – Exploded View	29
14.1 Saddle and Cross Slide Assembly – Parts List	30
15.0 Brake Assembly – Exploded View.....	32
15.1 Brake Assembly – Parts List	33
16.0 Tool Post and Compound Rest Assembly – Exploded View.....	34
16.1 Tool Post and Compound Rest Assembly – Parts List.....	35
17.0 Apron Assembly I – Exploded View	36
17.1 Apron Assembly I – Parts List	37
18.0 Apron Assembly II – Exploded View	39
18.1 Apron Assembly II – Parts List	40
19.0 Apron Assembly III – Exploded View	42
19.1 Apron Assembly III – Parts List	43
20.0 Apron Assembly IV – Exploded View	44
20.1 Apron Assembly IV – Parts List.....	45
21.0 Tailstock Assembly I – Exploded View	46
21.1 Tailstock Assembly I – Parts List.....	47
22.0 Tailstock Assembly II – Exploded View	48
22.1 Tailstock Assembly II – Parts List.....	49
23.0 Steady Rest Assembly (Small and Large) – Exploded View.....	50
23.1 Steady Rest Assembly (Small) – Parts List.....	51
23.2 Steady Rest Assembly (Large) – Parts List.....	51
24.0 Follow Rest Assembly – Exploded View	52
24.1 Follow Rest Assembly – Parts List	52
25.0 Coolant and Work Light Assembly – Exploded View	53
25.1 Coolant and Work Light Assembly – Parts List	53
26.0 Travel Stop Assembly – Exploded View.....	54
26.1 Travel Stop Assembly – Parts List	54
27.0 Small Carriage Stop – Exploded View	55
27.1 Small Carriage Stop – Parts List	55
28.0 Chuck Guard Assembly – Exploded View.....	56
28.1 Chuck Guard Assembly – Parts List.....	56
29.0 Toolbox, Accessories, and Attachments	57
30.0 Electrical Components	58
30.1 Electrical Diagram	59
30.2 Electrical Components – Parts List	60
31.0 Ordering Replacement Parts.....	60

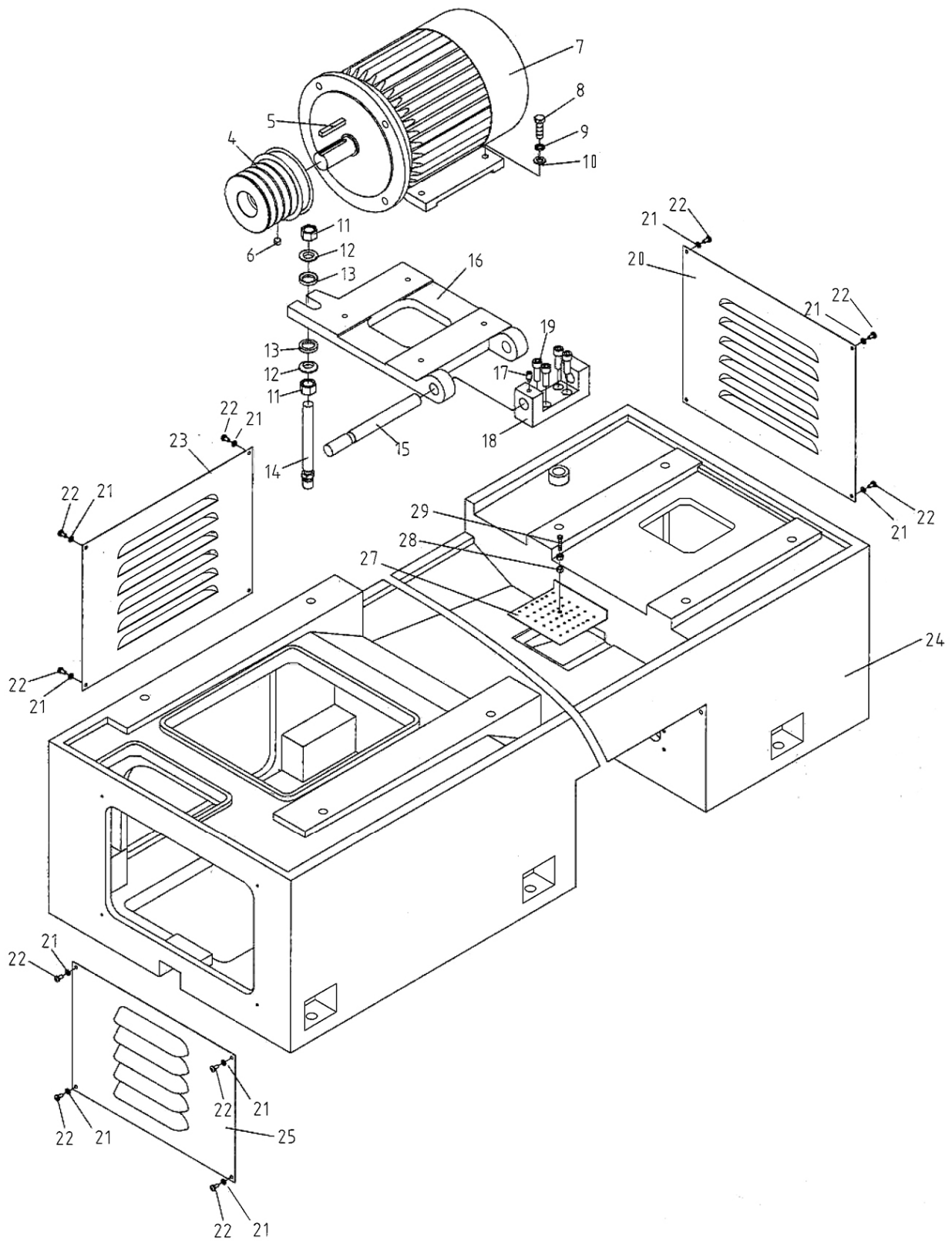
3.0 Bed Assembly I – Exploded View



3.1 Bed Assembly I – Parts List

Index No.	Part No.	Description	Size	Qty
1	C6266C12701C	Splash Guard (80" ZH only)	80"	1
	C6266C12701D	Traveling Splash Guard (120" ZH only)	24"	1
2	TS-1503011	Hex Socket Cap Screw	M6x8	8
3	TS-1550041	Flat Washer	6 mm	8
5	C6266C01101C	Bed (for 80" ZH only)	80"	1
	C6266C01101D	Bed (for 120" ZH only)	120"	1
6	GB5782-M20x60	Hex Cap Bolt	M20x60	4
7	C6140W01705	Crossed Head		1
8	C6140W01706	Screw		1
9	C6140W01707	Collar		1
10	GB71-M10x12	Slotted Set Screw	M10x12	1
11	C6140W01709	Sleeve		1
12	GB71-M10x20	Slotted Set Screw	M10x20	1
13	C6140W01104	Crank		1
14	GB118-8x50	Taper Pin	8x50 mm	1
15	GB71-M10x14	Slotted Set Screw	M10x14	2
16	GB91-2x16	Split Pin	2x16 mm	4
17	C6140W01711A	Pulling Rod		1
18	C6266C01106	Sleeve		1
19	GB71-M8x16	Slotted Set Screw	M8x16	1
20	C6266C01703C	Hex Feed Rod (for 80" ZH only)		1
	C6266C01703D	Hex Feed Rod (for 120" ZH only)		1
21	C6266C01702C	Lead Screw (for 80" ZH only)		1
	C6266C01702D	Lead Screw (for 120" ZH only)		1
22	C6266C01705C	Hex Control Rod (for 80" ZH only)		1
	C6266C01705D	Hex Control Rod (for 120" ZH only)		1
23	C6140W01724	Sleeve		1
24	C6140W01725	Sleeve		1
25	C6140W01302	Bronze Bushing		1
26	C6140W01301	Bronze Bushing		1
27	C6140W01109	Bracket		1
28	TS-1505041	Hex Socket Cap Screw	M8x20	1
29	TS-1505111	Hex Socket Cap Screw	M10x70	1
30	TS-1505031	Hex Socket Cap Screw	M10x25	1
31	GB118-8x35	Taper Pin	8x35 mm	2
32	TS-1550041	Flat Washer	6 mm	8
33	TS-1503011	Hex Socket Cap Screw	M6x8	8
34	C6140W01726	Cover		1
37	C-GB11876845	Taper Pin	8x45 mm	6
38	TS-1505051	Hex Socket Cap Screw	M10x35	6
39	C6266C01704	Rack (both models)		1
40	C6140W01719	Rack (for 80" ZH)		5
	C6140W01719	Rack (for 120" ZH)		8
41	GB70-M10x85	Hex Socket Cap Screw	M10x85	2
42	C6266C01103	Gap		1
43	C-GB11876845	Taper Pin	16x60 mm	2
44	GB70-M16x50	Hex Socket Cap Screw	M16x50	4
49	C6140W01733	Pin		1
50	GB5782-M20x80	Hex Bolt	M20x80	4
51	GB97.2-20	Flat Washer	20 mm	8
52	GB85-M12x75	Set Screw	M12x75	2
53	C6266C18716	Bracket		1
54	C6266C01718	Nut		1
55	C6266CLRG80	Rubber Gasket (for 80" ZH only)		1

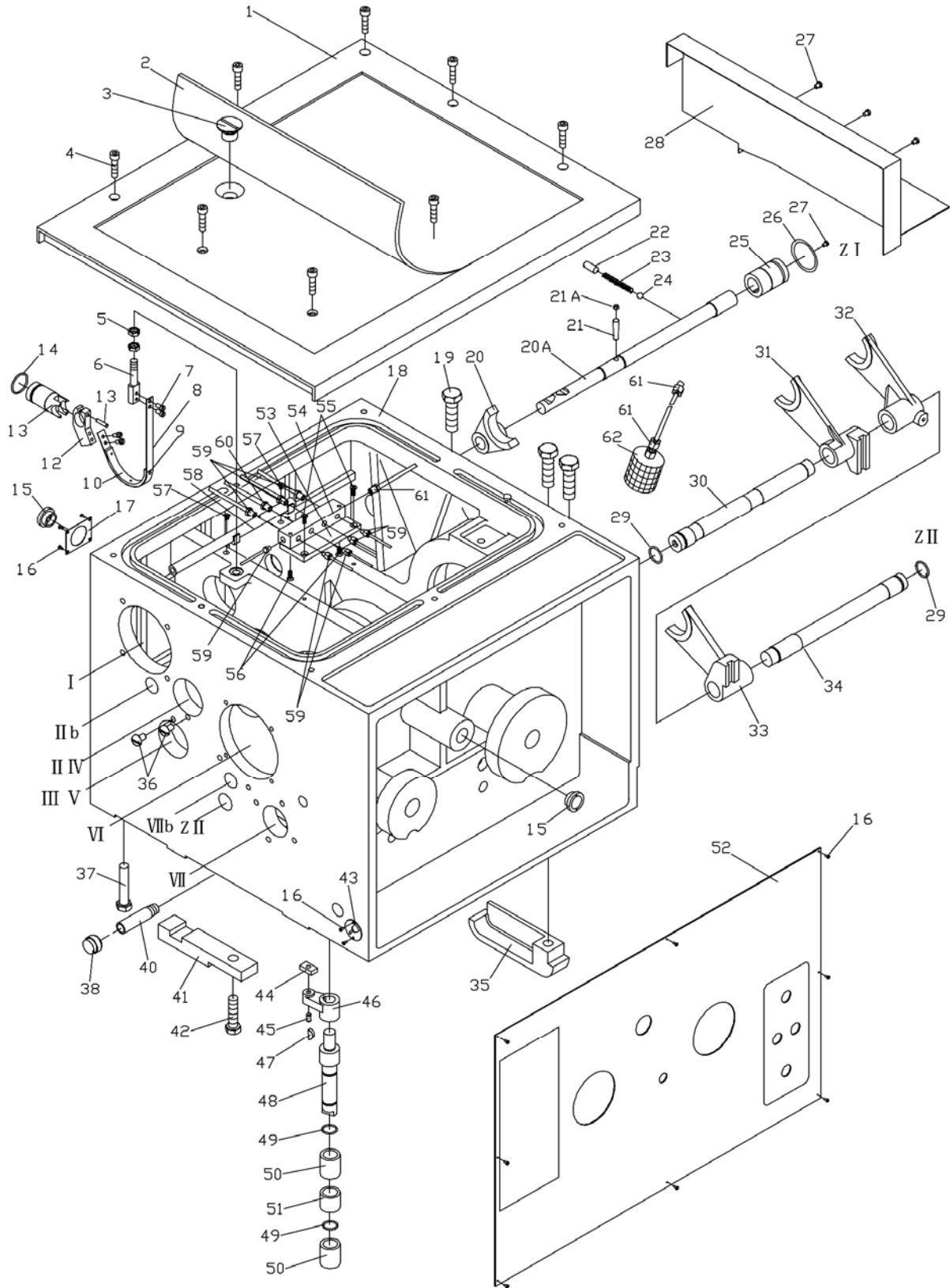
4.0 Bed Assembly II – Exploded View



4.1 Bed Assembly II – Parts List

Index No.	Part No.	Description	Size	Qty
4	C6266C01105	Pulley		1
5	GB1096-10x50	Flat Key	10x50 mm	1
6	GB71-M12x16	Slotted Set Screw	M12x16	1
7	Y132M-4TH/B3	Motor	10HP, 3PH, 230/460V	1
8	GB5782-M10x40	Hex Bolt	M10x40	4
9	GB93-10	Spring Washer	10 mm	4
10	GB97.2-10	Flat Washer	10 mm	4
11	GB6170-M20	Hex Nut	M20	2
12	GB850-20	Taper Washer	20 mm	2
13	GB849-20	Spherical Washer	20 mm	2
14	C6140W01714	Double Bolt		1
15	C6266C01711	Shaft		1
16	C6266C01104	Motor Mounting Plate		1
17	GB75-M10x14	Slotted Set Screw	M10x14	1
18	C6266C01107	Support		1
19	TS-1506041	Hex Socket Cap Screw	M12x35	4
20	C6266C01701	Cover		1
21	TS-1550041	Flat Washer	6 mm	12
22	GB818-M6x5	Cross Head Screw	M6x5	12
23	C6266C01710	Cover		1
24	C6266C01102C	Bed Stand (for 80" ZH only)		1
	C6266C01108	Front Bed Stand (for 120" ZH only)		1
	C6266C01109	Middle Bed Stand (for 120" ZH only)		1
	C6266C01110	Rear Bed Stand (for 120" ZH only)		1
25	C6266C01707	Cover		1
27	1440R01705	Drain Plate		1
28	TS-1540041	Hex Nut	M6	1
29	TS-1482041	Hex Cap Screw	M6x20	1
30	JETLOGO-1	JET Nameplate (not shown)		1
31	STRIPE-1-3/4	Stripe (not shown)		per ft.

5.0 Headstock Assembly I – Exploded View

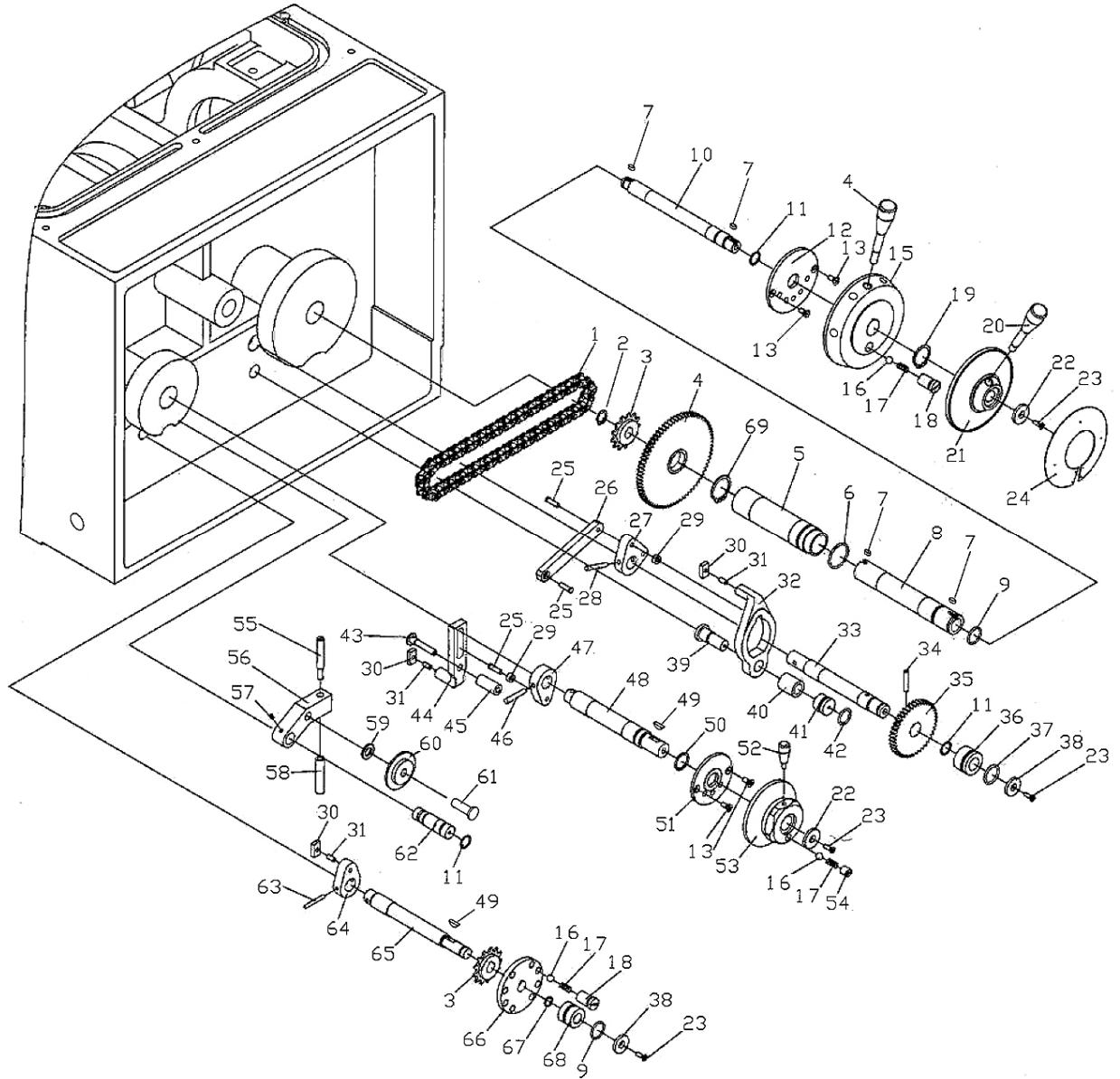


5.1 Headstock Assembly I – Parts List

Index No.	Part No.	Description	Size	Qty
1	C6266C02502	Headstock Cover		1
2	C6266C02501	Rubber Mat		1
3	C6140W02835	Flat Head Countersunk Screw		1
4	TS-1505051	Hex Socket Cap Screw	M10x35	8
5	GB6172-M12	Hex Nut	M12	2
6	C6266C02768	Braking Belt Support		1
7	GB65-M6x10	Slotted Socket Cap Screw	M6x10	4
8	C6266C02767	Braking Belt		1
9	GB867-3x10	Cup Head Rivet	3x10 mm	3
10	C6266C02503	Braking Friction Disc		1
11	GB119-6n6x14	Pin	6n6x14 mm	1
12	C6266C02770	Braking Belt Support		1
13	C6266C02769	Shaft		1
14	GB3452.1-30x2.65	O-Ring	30x2.65 mm	1
15	R51-2	Oil Glass		2
16	GB818-M3x4	Cross Recessed Pan Head Screw	M3x4	7
17	C6266C02306	Sign Plate – Oil Level		1
18	C6266C02101	Headstock		1
19	GB5782-M20x75	Hexagon Head Bolt	M20x75	3
20	C6266C02125	Fork		1
20A	C6266C02721	Control Shaft		1
21	GB118-8x40	Pin	8x40 mm	1
21A	GB6172-M8	Hex Nut	M8	1
22	GB71-M12x30	Slotted Set Screw	M12x30	1
23	Q81-1-1.6x8x70	Spring	1.6x8x70 mm	1
24	SB-10MM	Steel Ball	10 mm	1
25	C6140W02105	Bushing		1
26	GB3452.1-38.7x3.55	O-Ring	38.7x3.55 mm	1
27	GB818-M6x8	Cross Head Screw	M6x8	1
28	C6266C02757	Cover		1
29	GB3452.1-26.5x2.65	O-Ring	26.5x2.65 mm	1
30	C6266C02761	Control Shaft		1
31	C6266C02128	Fork		1
32	C6266C02124	Fork		1
33	C6266C02120	Fork		1
34	C6266C02762	Control Shaft		1
35	C6140W02141	Front Cover		1
36	C6140W02711	Screw		3
37	GB5782-M16x80	Hexagon Head Bolt	M16x80	2
38	C6140W02831	Nut		1
40	C6140W02832	Drain Pipe		1
41	C6140W02833	Clamping Plate		1
42	TS-1494052	Hex Cap Screw	M16x60	1
43	C6266C02303	Sign Plate		1
44	C6140W02143	Sliding Block		1
45	GB119-N6x20	Pin	n6x20 mm	1
46	C6140W02129	Rocker		1
47	GB1099-6x22	Woodruff Key	6x22 mm	1
48	C6266C02763	Shaft		1
49	G51-2A-25x2.4	O-Ring	25x2.4 mm	2
50	C6140W02127	Collar		2
51	C6266C02119	Collar		1
52	C6266C02305-23	Headstock Label Panel (for 80" ZH only)		1
	GH26120ZH-52	Headstock Label Panel (for 120" ZH only)		1
53	C6140W02837	Board		1
54	C6140W02836	Oil Distributor		1

Index No.	Part No.	Description	Size	Qty
55	GB819-M5x10	Cross Recessed Hd Countersunk Screw M5x10		2
56	GB819-M6x14	Cross Recessed Hd Countersunk Screw M6x14		2
57	GB818-M6x8	Cross Recessed Pan Head Screw	M6x8	2
58	C6266C02781	Oil Sprayer Assembly		1
59	G92-1A-4	Fitting	4 mm	group of 8
60	G92-1A-8	Fitting	8 mm	1
61	G92-1A-10	Fitting	10 mm	group of 4
62	SFW-02A	Oil Filter		1

6.0 Headstock Assembly II – Exploded View

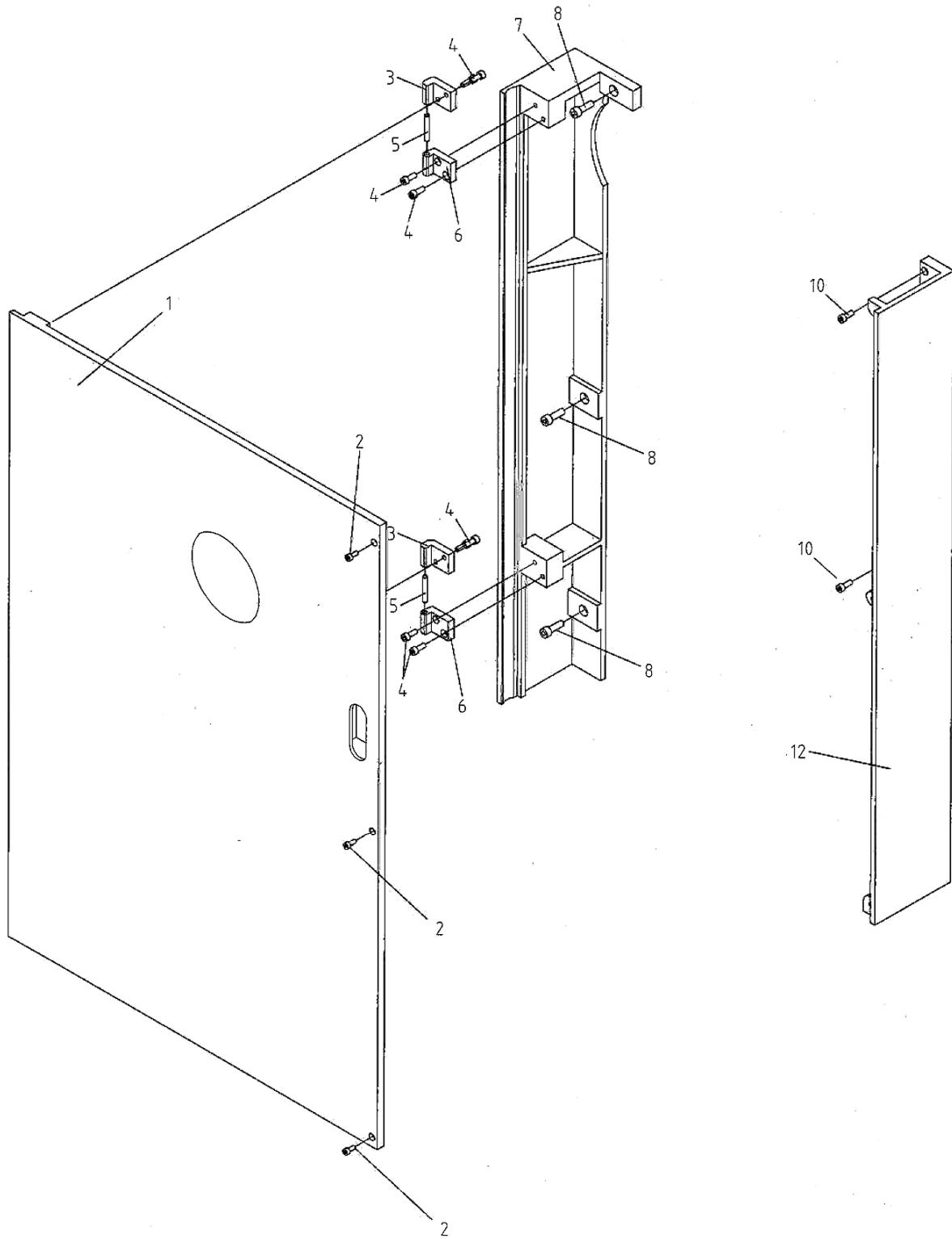


6.1 Headstock Assembly II – Parts List

Index No.	Part No.	Description	Size	Qty
1	C6266CHA01	Chain	12.7 x 58	1
2	GB894.1-16	Circlip for Shaft	16 mm	1
3	C6140W02808	Chain Wheel		2
4	C6266C02751	Gear		1
5	C6266C02780	Sleeve		1
6	GB3452.1-34.5x2.65	O-Ring	34.5x2.65 mm	1
7	GB1096-5x10	Flat Key	5x10 mm	4
8	C6266C02753	Collar		1
9	GB3452.1-25x2.65	O-Ring	25x2.65 mm	2
10	C6266C02752	Shaft		1
11	GB3452.1-17x1.8	O-Ring	17x1.8 mm	3
12	C6266C02756	Positioning Disc		1
13	GB819-M6x14	Cross Recessed Hd Countersunk Screw	M6x14	4
14	C6140W02799	Lever		1
15	C6266C02114	Lever Support		1
16	SB-10MM	Steel Ball	10 mm	3
17	Q81-1-1.6x8x18	Spring	1.6x8x18 mm	3
18	C6266C02754	Positioning Screw		2
19	GB894.1-30	Circlip for Shaft	30 mm	1
20	C6140W02801	Lever		1
21	C6140W02123	Lever Support		1
22	C6140W02821	Washer		2
23	GB819-M5x16	Cross Recessed Hd Countersunk Screw	M5x16	6
24	C6266C02304	Speed Label		1
25	C6140W02813	Pin		3
26	C6266C02775	Connector		1
27	C6266C02121	Rocker		1
28	GB117-6x45	Taper Pin	6x45 mm	1
29	C6140W02812	Roller		2
30	C6140W02119	Sliding Block		3
31	GB119-6n6x14	Pin	6n6x14 mm	3
32	C6266C02122	Fork		1
33	C6266C02765	Axis		1
34	GB117-6x35	Taper Pin	6x35 mm	1
35	C6266C02749	Gear		1
36	C6266C02112	Collar		1
37	GB3452.1-30x2.65	O-Ring	30x2.65 mm	1
38	C6266C02750	Washer		2
39	C6266C02764	Pin		1
40	C6266C02123	Collar		1
41	C6266C02111	Plug		1
42	GB3452.1-20x2.65	O-Ring	20x2.65 mm	1
43	C6266C02760	Shaft		1
44	C6266C02118	Fork		1
45	C6266C02116	Collar		1
46	GB117-6x40	Taper Pin	6x40 mm	1
47	C6266C02117	Rocker		1
48	C6266C02759	Shaft		1
49	GB1099-5x19	Woodruff Key	5x19 mm	2
50	GB3452.1-21.2x2.65	O-Ring	21.2x2.65 mm	1
51	C6266C02758	Positioning Disc		1
52	C6140W02822	Lever		1
53	C6266C02115	Lever Support		1
54	GB73-M12x14	Set Screw	M12x14	1
55	C6266C02774	Bolt		1
56	C6266C02129	Rocker		1

Index No.	Part No.	Description	Size	Qty
57	TS-1522021	Socket Set Screw	M5x8	1
58	C6266C02773	Screw		1
59	TS-2360121	Flat Washer	12 mm	1
60	C6140W02826	Tightening Wheel		1
61	C6140W02825	Pin		1
62	C6266C02771	Shaft		1
63	GB117-5x40	Taper Pin	5x40 mm	1
64	C6266C02127	Rocker		1
65	C6266C02766	Shaft		1
66	C6266C02772	Positioning Disc		1
67	GB3452.1-12.5x1.8	O-Ring	12.5x1.8 mm	1
68	C6266C02126	Collar		1
69	GB894.1-35	Circlip for Shaft	35 mm	1

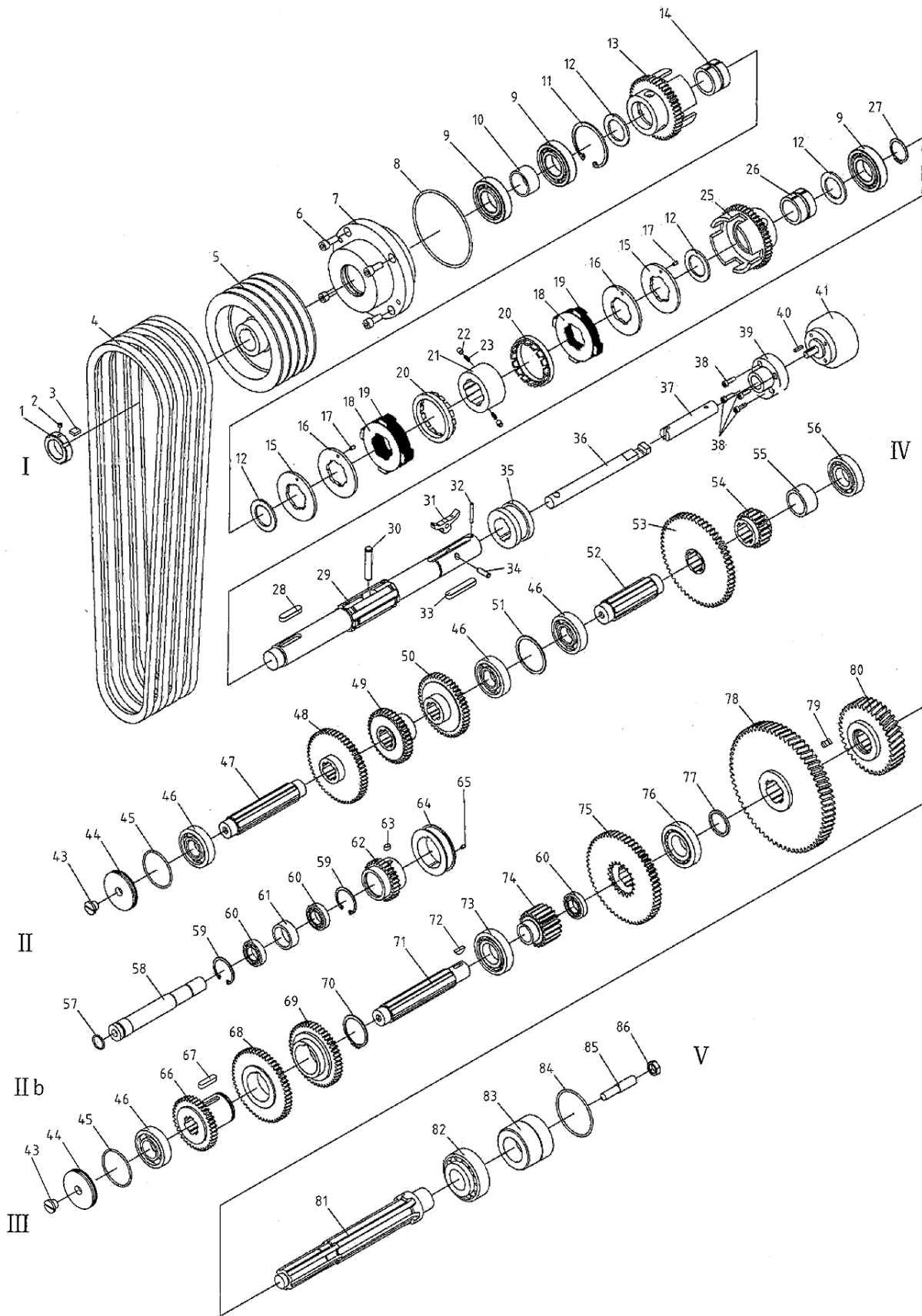
7.0 Headstock Assembly III – Exploded View



7.1 Headstock Assembly III – Parts List

Index No.	Part No.	Description	Size	Qty
1.....	C6266C08501.....	Back Cover		1
2.....	TS-1502031	Hex Socket Cap Screw.....	M5x12	3
3.....	C6266C08706.....	Upper Hinge.....		2
4.....	TS-2205201	Hex Socket Cap Screw.....	5x20 mm	2
5.....	GB119-6h8x40.....	Pin	6h8x40 mm	2
6.....	C6266C08707.....	Lower Hinge.....		2
7.....	C6266C08504.....	Rear Side Plate		1
8.....	TS-1503041	Hex Socket Cap Screw.....	M6x16	8
10.....	TS-1503031	Hex Socket Cap Screw.....	M6x14	2
12.....	C6266C08711A	Lower Front Side Plate		1

8.0 Headstock Assembly IV – Exploded View

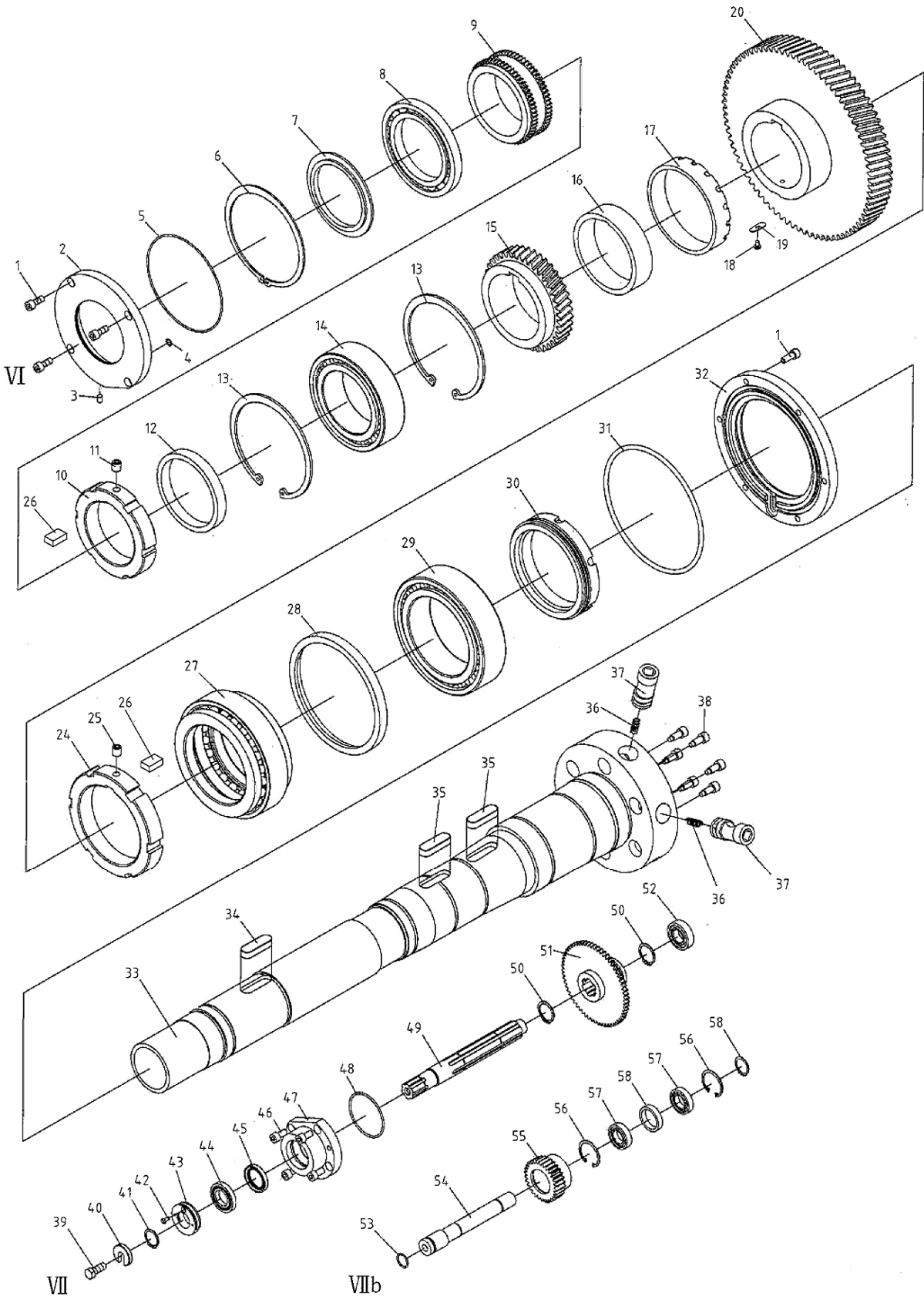


8.1 Headstock Assembly IV – Parts List

Index No.	Part No.	Description	Size	Qty
1	C6140W02752-1/2	Round Nut		1
2	TS-1523011	Hex Socket Set Screw	M6x6	1
3	C6140W02752-2/2	Clamping Piece		1
4	B2464	Belt		4
5	C6266C02107	Pulley		1
6	TS-1505031	Hex Socket Cap Screw	M10x25	4
7	C6266C02105	Bearing Cover		1
8	GB3452.1-125x3.55	O-Ring	125x3.55 mm	1
9	BB-6208	Ball Bearing	6208	3
10	C6266C02106	Spacer		1
11	GB894.1-40	Circlip for Shaft	40 mm	1
12	C6266C02723	Spacer		4
13	C6266C02730	Forward Clutch Housing		1
14	C6266C02302	Collar		1
15	C6140W02748	Pressure Plate		2
16	C6140W02747	Pressure Plate		2
17	GB119-5x10	Pin	5x10 mm	2
18	C6140W02746	Inner Friction Disc		13
19	C6140W02745	Outer Friction Disc		11
20	C6140W02741	Adjusting Nut		2
21	C6266C02727	Spline Sleeve		1
22	C6140W02744	Stop Pin		2
23	Q81-1-0.8x5x16	Spring	0.8x5x16	2
25	C6266C02724	Reverse Clutch Housing		1
26	C6266C02301	Collar		1
27	GB894.1-40	Circlip for Shaft	40 mm	1
28	GB1096-12x50	Flat Key	12x50 mm	1
29	C6266C02731	Shaft (I)		1
30	GB119-12x70	Pin	12x70 mm	1
31	C6240W02732	Pressure Piece		1
32	GB119-5x40	Pin	5x40 mm	1
33	GB1096-12x70	Flat Key	12x70 mm	1
34	GB119-8x25	Pin	8x25 mm	1
35	C6140W02733	Sliding Ring		1
36	C6266C02728	Shaft		1
37	C6266C02722	Shaft		1
38	TS-1503051	Hex Socket Cap Screw	M6x20	3
39	C6140W02106	Pump Support		1
40	GB1096-4x16	Flat Key	4x16 mm	1
41	DB-B4	Bracket		1
43	C6266C02740	Bolt		2
44	C6266C02736	Cover		2
45	GB3452.1-65x3.55	O-Ring	65x3.55 mm	2
46	BB-6306	Ball Bearing	6306	3
47	C6266C02735	Shaft (II)		1
48	C6266C02734	Gear		1
49	C6266C02733	Gear		1
50	C6266C02732	Gear		1
51	C6266C02737	Circlip		1
52	C6266C02718	Shaft (IV)		1
53	C6266C02720	Gear		1
54	C6266C02719A	Gear		1
55	C6266C02103	Sleeve		1
56	BB-6207	Ball Bearing	6207	2
57	GB3452.1-25x2.65	O-Ring	25x2.65 mm	1
58	C6266C02729	Shaft (IIb)		1

Index No.	Part No.	Description	Size	Qty
59	GB893.1-47	Circlip	47 mm	2
60	BB-6005	Ball Bearing	6005	2
61	C6266C02104	Sleeve		1
62	C6266C02726	Gear		1
63	GB1096-8x12	Flat Key	8x12 mm	1
64	C6266C02725	Brake Wheel		1
65	GB73-M5x8	Slotted Set Screw	M5x8	1
66	C6266C02741	Gear		1
67	GB1096-10x40	Flat Key	10x40 mm	1
68	C6266C02738	Gear		1
69	C6266C02742	Gear		1
70	GB894.1-55	Circlip for Shaft	55 mm	1
71	C6266C02739	Shaft (III)		1
72	GB1099-6x22	Woodruff Key	6x22 mm	1
73	BB-6208	Ball Bearing	6208	1
74	C6266C02717	Gear		1
75	C6266C02716A	Gear		1
76	BB-32208	Bearing	32208	1
77	C6266C02779	Circlip for Shaft		1
78	C6266C02715	Gear		1
79	C6140W02733	Clamping Sleeve		3
80	C6266C02714	Gear		1
81	C6266C02713	Shaft (V)		1
82	32308	Tapered Roller Bearing	32308	1
83	C6140W02103	Shaft Plug (VI)		1
84	GB3452.1-82.5x3.55	O-Ring	82.5x3.55 mm	1
85	C6140W02717	Hex Socket Cap Screw		1
86	GB6173-M16x1.5	Nut	M16x1.5	1

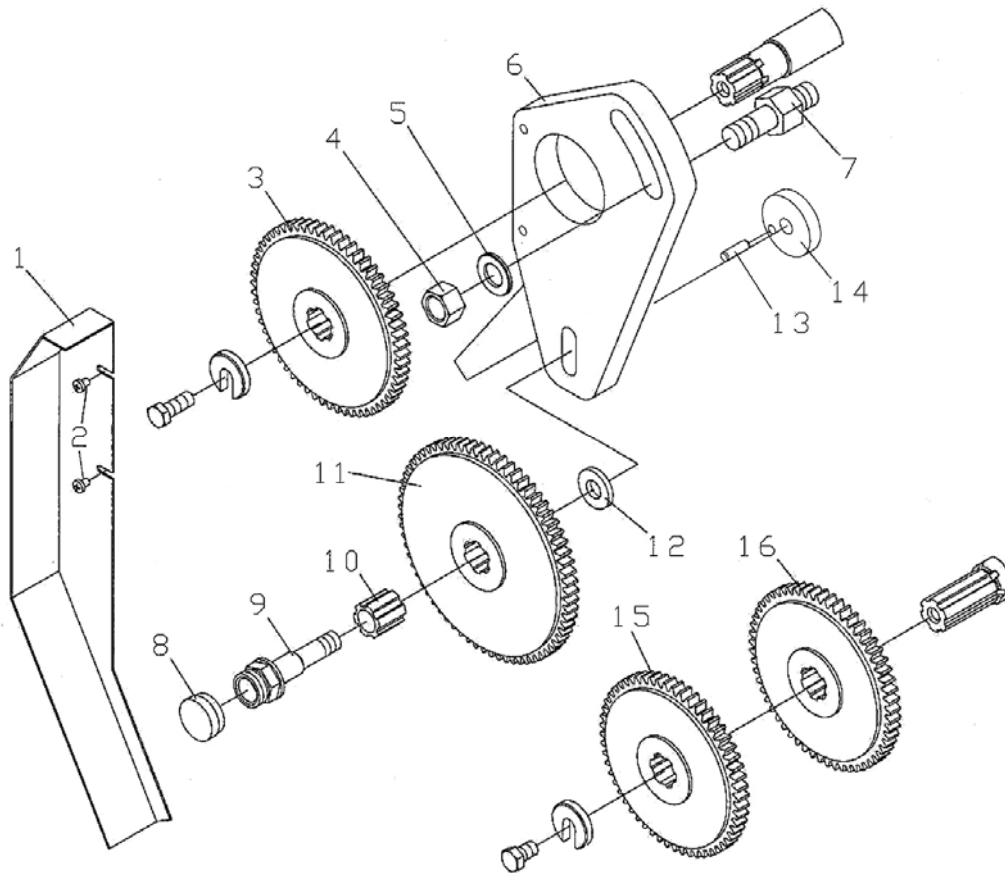
9.0 Headstock Assembly V – Exploded View



9.1 Headstock Assembly V – Parts List

Index No.	Part No.	Description	Size	Qty
1	TS-1505031	Hex Socket Cap Screw	M10x25	1
2	C6266C02108	Back Flange Cover		1
3	GB119-6x8	Pin	6x8 mm	1
4	G51-2A-12x1.9	O-Ring	12x1.9 mm	4
5	GB3452.1-180x2.65	O-Ring	18x2.65 mm	1
6	GB894.1-120	Circlip for Shaft	120 mm	1
7	C6266C02744	Bearing Back Circlip		1
8	16024	Ball Bearing	16024	1
9	C6266C02743	Double Gear		1
10	C6266C02702	Round Nut		1
11	TS-1526011	Hex Socket Cap Screw	M12x12	3
12	C6266C02703	Circlip		1
13	GB893.1-200	Circlip for Bore	200 mm	2
14	NN3026K	Cylindrical Roller Bearing		1
15	C6266C02704	Gear		1
16	C6266C02705	Thread Sleeve		1
17	C6266C02706	Nut		1
18	GB67-M6x10	Screw	M6x10	1
19	C6140W02715	Fixing Plate		1
20	C6266C02707	Gear		1
24	C6266C02708-1	Round Nut		1
25	TS-1526021	Hex Socket Cap Screw	M12x16	3
26	C6266C02708-2	Pin		3
27	2268930	Bearing		1
28	C6266C02709	Bearing Circlip		1
29	NN3030K	Bearing		1
30	C6266C02710	Round Nut		1
31	GB3452.1-250x5.3	O-Ring	250x5.3 mm	1
32	C6266C02102	Front Flange Cover		1
33	C6266C02701	Spindle		1
34	GB1096-10x40	Flat Key	10x40 mm	1
35	GB1096-10x50	Flat Key	10x50 mm	2
36	Q81-1-1x8x16	Spring	1x8x16	6
37	C6266C02711	Cam		6
38	C6266C02712	Positioning Screw		6
39	TS-1492021	Hex Cap Screw	M12x30	1
40	GB851-12	Split Washer	12 mm	1
41	GB894.1-30	Circlip for Shaft	30 mm	1
42	GB68-M5x12	Slotted Head Screw	M5x12	1
43	C6140W02776	Adjusting Screw		1
44	BB-6006	Ball Bearing	6006	1
45	GB13871-B-35x51x8	Oil Seal	B-35x51x8 mm	1
46	TS-1505021	Hex Cap Screw	M10x20	4
47	C6266C02110	Bearing Cover		1
48	G51-2A-80x3.1	Oil Seal	80x3.1	1
49	C6266C02747	Shaft (VII)		1
50	GB894.1-35	Circlip	35 mm	2
51	C6266C02746	Gear		1
52	BB-6205	Ball Bearing	6205	1
53	GB3452.1-25x2.65	O-Ring	25x2.65 mm	1
54	C6266C02748	Shaft (VIIb)		1
55	C6266C02745	Gear		1
56	GB893.1-47	Circlip for Bore	47 mm	2
57	BB-6005	Ball Bearing	6005	2
58	GB894.1-25	Circlip for Shaft	25 mm	1
59	C6266C02109	Sleeve		1

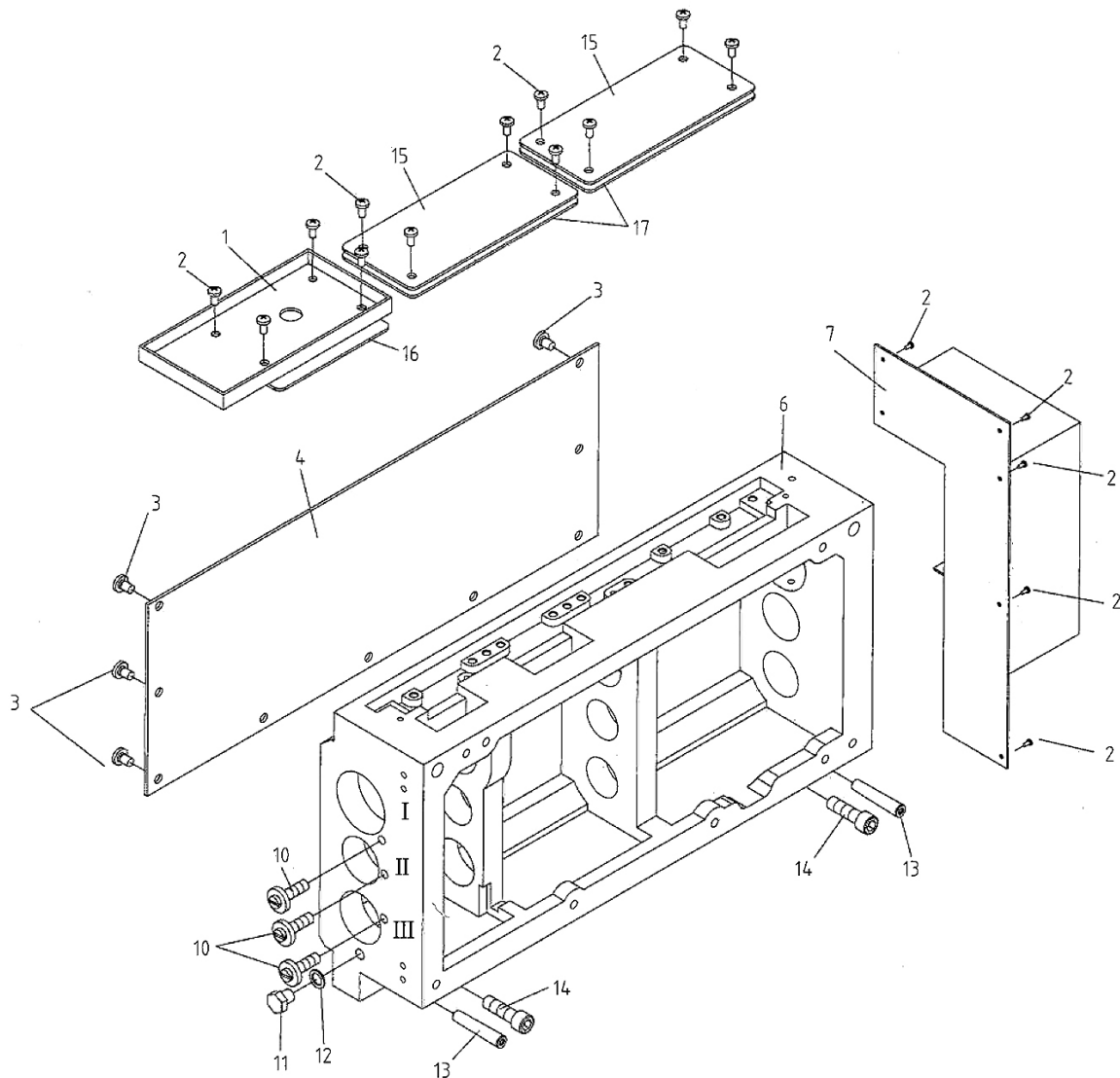
10.0 Gear Assembly – Exploded View



10.1 Gear Assembly – Parts List

Index No.	Part No.	Description	Size	Qty
1.....	C6266C08708.....	Splash Guard.....		1
2.....	GB818-M6x8.....	Screw.....	M6x8.....	2
3.....	C6266C08702.....	Gear (in.).....	2m82T.....	1
4.....	GB6172-M20.....	Hex Nut.....	M20.....	1
5.....	GB97.2-20.....	Washer.....	20 mm.....	1
6.....	C6266C08101.....	Quadrant.....		1
7.....	C6266C02776.....	Bolt.....		1
8.....	C6140W08703.....	Nut Cover.....		1
9.....	C6140W08702.....	Gear Shaft.....		1
10.....	C6140W08301.....	Spline Sleeve.....		1
11.....	C6266C08102.....	Gear (in.).....	2m97T.....	1
12.....	C6266C08701.....	Washer.....		1
13.....	GB119-8n6x20.....	Pin.....	8n6x20 mm.....	1
14.....	C6140W08704.....	Position Nut.....		1
15.....	C6266C08703.....	Gear (in.).....	2m81T.....	1
16.....	C6266C08704.....	Gear (in.).....	2m57T.....	1
16-2.....	C6266C08716.....	Gear (in.).....	2m69T.....	1
16-3.....	C6266C08717-63.....	Gear (in.).....	2m63T.....	1
16-4.....	C6266C08717-90.....	Gear (in.).....	2m90T.....	1
16-5.....	C6266C08717-78.....	Gear (in.).....	2m78T.....	1

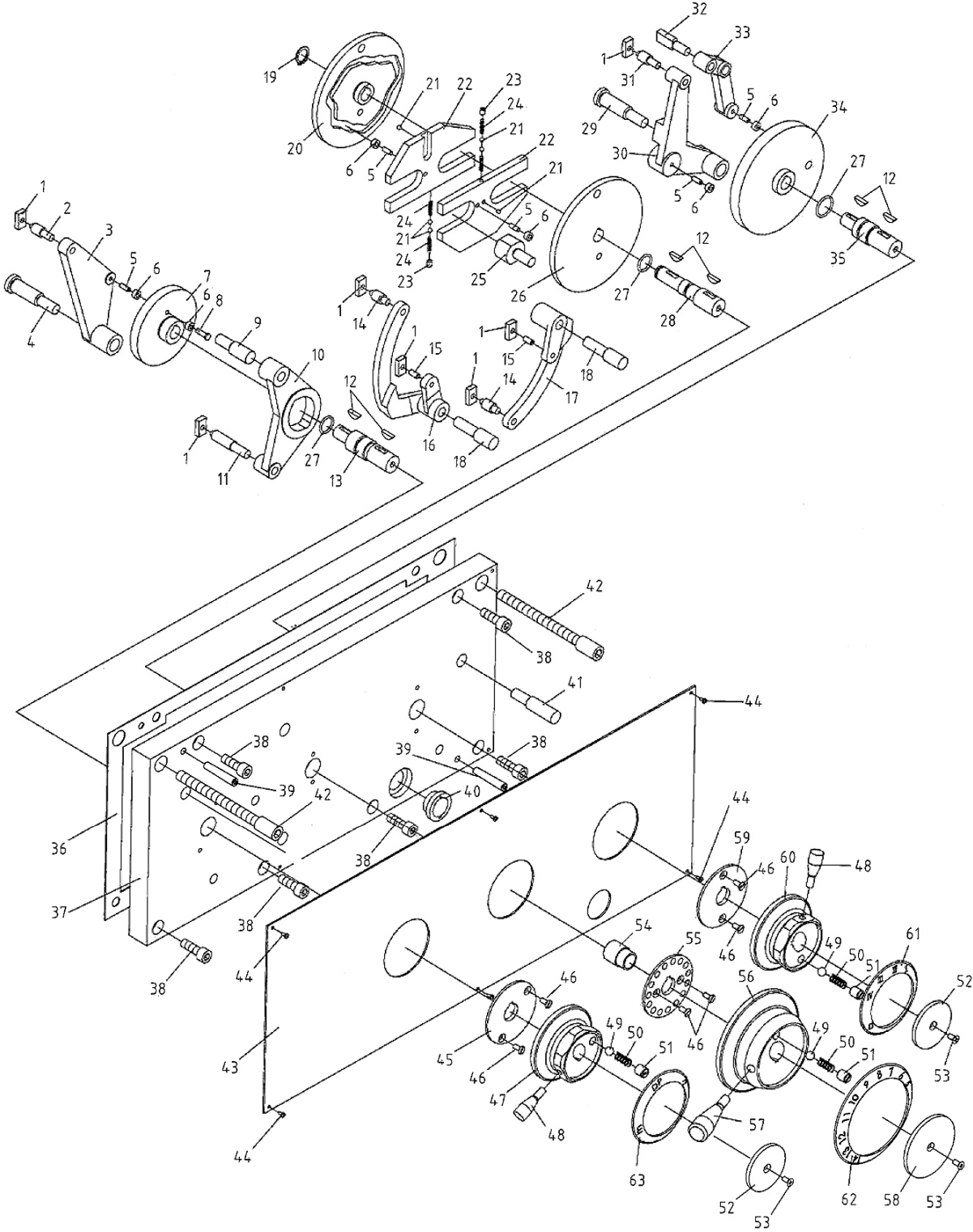
11.0 Gear Box Assembly I – Exploded View



11.1 Gear Box Assembly I – Parts List

Index No.	Part No.	Description	Size	Qty
1.....	C6140W05504.....	Upper Cover.....		1
2.....	TS-1534032.....	Cross Recessed Pan Head Screw.....	M6x10.....	14
3.....	TS-1490011.....	Hex Cap Screw.....	M8x12.....	9
4.....	C6140W05A729.....	Back Cover.....		1
6.....	C6140W05A101.....	Feed Box Casting.....		1
7.....	C6266C05765J.....	Side Splash Guard.....		1
10.....	C6140W05A728.....	Bolt with Washer.....		3
11.....	G38-2A-M12x1.5.....	Hex Cap Screw.....	M12x1.5.....	1
12.....	TS-2360121.....	Washer.....	12 mm.....	1
13.....	GB118-10x50.....	Taper Pin.....	10x50 mm.....	2
14.....	TS-1506051.....	Hex Socket Cap Screw.....	M12x40.....	2
15.....	C6266C05768.....	Panel.....		2
16.....	C6266C-05501.....	Gasket.....		1
17.....	C6266C-05502.....	Gasket.....		2

12.0 Gear Box Assembly II – Exploded View

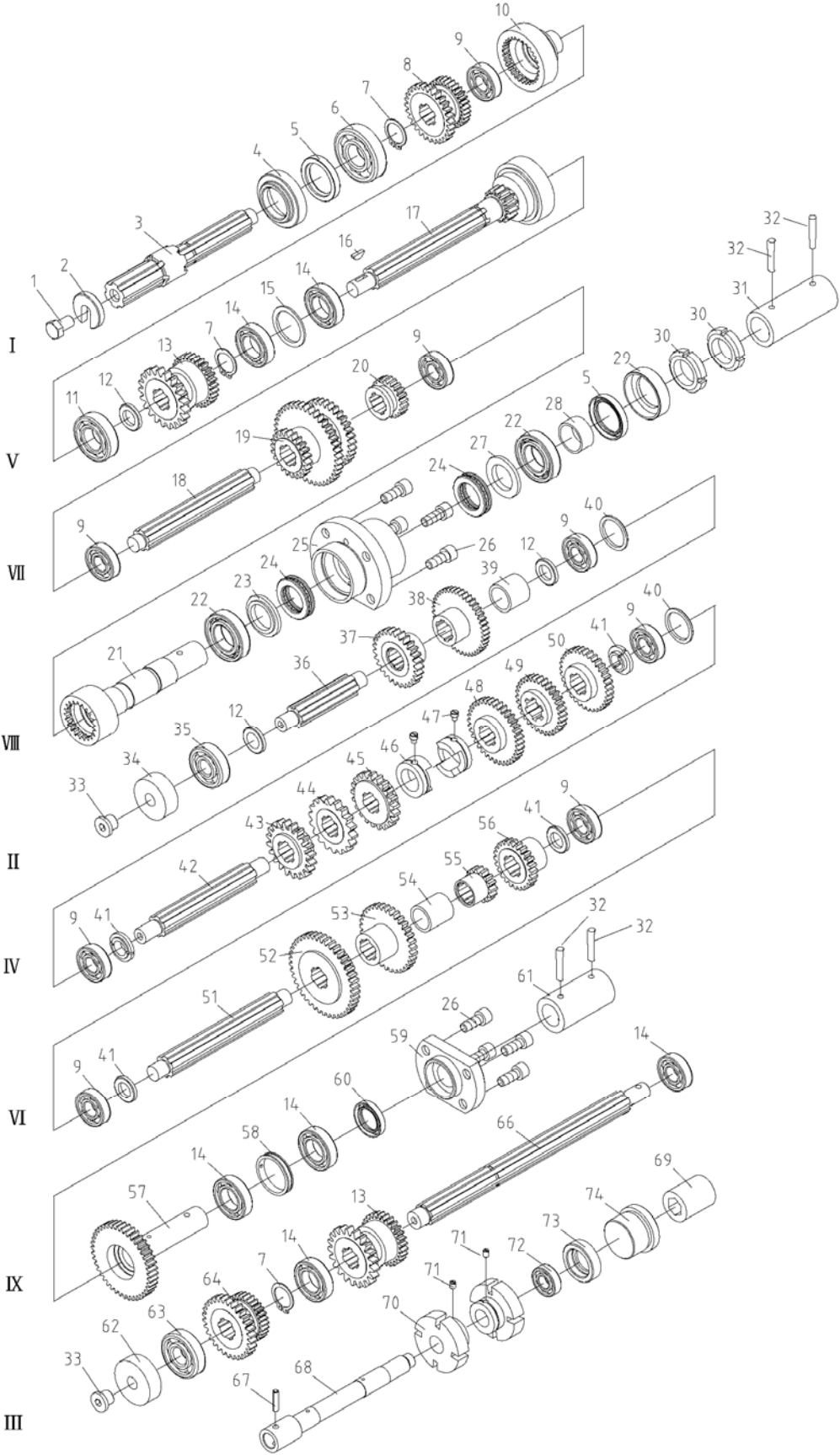


12.1 Gear Box Assembly II – Parts List

Index No.	Part No.	Description	Size	Qty
1	C6140W05109	Sliding Block		7
2	C6140W05A701	Shaft		2
3	C6140W05A105	Ratio Change Rocker		1
4	C6140W05709	Rocker Shaft		2
5	GB119-5x14	Pin	5x14 mm	6
6	C6140W05720	Roller		6
7	C6140W05A708	Cam		1
8	C6140W05A703	Roller Shaft		1
9	C6140W05702	Shaft		1
10	C6140W05A103	Rocker		1
11	C6140W05A710	Shaft		1
12	GB1099-5x19	Woodruff Key	5x19 mm	6
13	C6140W05707	Shaft		1
14	C6140W05A711	Shaft		1
15	GB119-6x14	Pin	6x14 mm	2
16	C6140W05A110	Shaft		1
17	C6140W05A106	Upper Rocker		1
18	C6140W05712	Shaft		2
19	GB894.1-16	Circlip for Shaft	16 mm	1
20	C6140W05A717	Cam		1
21	SB-5MM	Steel Ball	5 mm	6
22	C6140W05A719	Pulley		2
23	TS-1523021	Set Screw	M6x8	2
24	Q81-1-0.6x4x20	Spring	0.6x4x20 mm	4
25	C6140W05A718	Positioning Column		1
26	C6140W05109	Sliding Block		1
27	G51-2A-25x2.4	O-Ring	25x2.4 mm	3
28	C6140W05A716	Handle Axle		1
30	C6140W05A112	Rocker		1
31	C6140W05A721	Shaft		1
32	C6140W05A722	Shaft		1
33	C6140W05A111	Rocker		1
34	C6140W05A725	Cam		1
35	C6140W05A723	Shaft		1
36	C6140W05A501	Gasket		1
37	C6140W05A115	Front Cover		1
38	TS-1505041	Hex Socket Cap Screw	M10x30	6
39	GB118-8x50	Pin	8x50 mm	2
40	C6266CGBA40	Oil Sight Glass		1
41	C6140W05721	Shaft		1
42	C6140W05A727	Hex Socket Cap Screw		1
43	C6266C05301A-7	Gearbox Label Panel		1
44	TS-1531012	Cross Recessed Pan Head Screw	M3x6	6
45	C6140W05A704	Positioning Disc		1
46	GB68-M6x12	Slotted Head Screw	M6x12	6
47	C6140W05A104	Lever Support		1
48	C6140W05705	Lever		2
49	SB-10MM	Steel Ball	10 mm	3
50	Q81-1-1.6x8x28	Spring	1.6x8x28	3
51	GB73-M12x14	Slotted Set Screw	M12x14	3
52	C6140W05706	Disc		2
53	GB819-M5x12	Cross Recessed Head Screw	M5x12	3
54	C6140W05A108	Collar		1
55	C6140W05A713	Positioning Disc		1
56	C6140W05A107	Lever Support		1
57	C6140W05714	Lever		1

Index No.	Part No.	Description	Size	Qty
58.....	C6140W05715.....	Cover		1
59.....	C6140W05A724.....	Positioning Disc.....		1
60.....	C6140W05A113.....	Lever Support		1
61.....	C6140W05308.....	Handle Panel		1
62.....	C6140W05A307.....	Handle Panel		1
63.....	C6140W05306.....	Handle Panel		1

13.0 Gear Box Assembly III – Exploded View

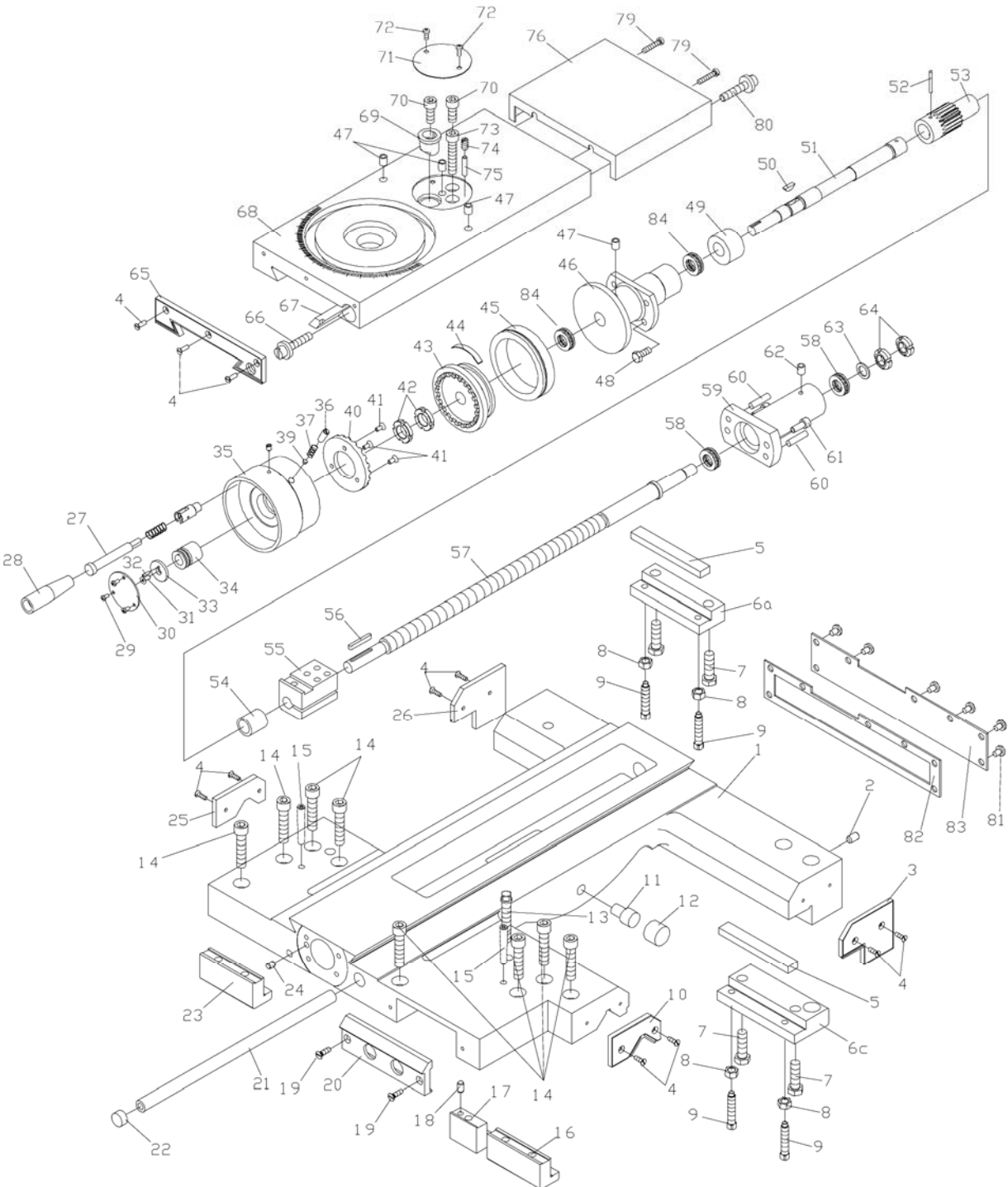


13.1 Gear Box Assembly III – Parts List

Index No.	Part No.	Description	Size	Qty
1	GB5783-M12x20	Hexagon Head Bolt	M12x20	1
2	GB851-A12x40	Split Washer	A12x40	1
3	C6140W05A730	Shaft (I)		1
4	C6266C05772J	Bearing Cover		1
5	G51-1-B35x50x8	Oil Seal	B-35x50x8	2
6	BB-6305	Ball Bearing	25x62x17	1
7	GB894.1-25	Circlip for Shaft	25 mm	3
8	C6140W05731	Double Gear		1
9	BB-6203	Ball Bearing	17x40x12 mm	7
10	C6140W05732	Gear		1
11	BB-6205	Ball Bearing	25x52x15	1
12	C6140W05127	Spacer		3
13	C6140W05733	Double Gear		2
14	BB-6005	Ball Bearing	25x47x12	4
15	C6140W05736	Spacer		2
16	GB1099-4x16	Woodruff Key	4x16 mm	1
17	C6140W05A735	Shaft (V)		1
18	C6140W05A738	Shaft (VII)		1
19	C6140W05737	Triple Gear		1
20	C6140W05739	Gear		1
21	C6140W05743	Shaft (VIII)		1
22	16006	Bearing	30x55x9	2
23	C6140W05740	Spacer		2
24	BB-51106	Thrust Bearing	30x47x11	2
25	C6140W05A117	Flange Sleeve		1
28	C6266C05773J	Sleeve		1
29	C6266C05741J	Bearing Cover		1
30	C6140W05742	Round Nut		2
31	C6140W05119	Shaft		1
32	GB117-6x40	Taper Pin	6x40 mm	4
33	G38-4A-M16x1.5	Plug	M16x1.5	2
34	C6140W05128	Bearing Cover		1
35	BB-6303	Ball Bearing	17x47x14	1
36	C6140W05A762	Shaft (II)		1
37	C6140W05763	Gear		1
38	C6140W05764	Gear		1
39	C6140W05125	Sleeve		1
40	C6140W05751	Sleeve		2
41	C6140W05A752	Adjust Washer		4
42	C6140W05A754	Shaft (IV)		1
43	C6140W05A759	Gear		1
44	C6140W05758	Gear		1
45	C6140W05757	Gear		1
46	C6140W05A734	Positioning Sleeve		2
47	GB75-M8x10	Slotted Set Screw	M8x10	2
48	C6140W05756	Gear		1
49	C6140W05755	Gear		1
50	C6140W05753	Gear		1
52	C6140W05750	Gear		1
53	C6140W05A748	Gear		1
54	C6140W05A124	Sleeve		1
55	C6140W05747	Gear		1
56	C6140W05746	Gear		1
57	C6140W05745	Shaft (IX)		1
58	C6140W05A744	Sleeve		1
59	C6266C05121W	Flange Sleeve		1

Index No.	Part No.	Description	Size	Qty
60	G51-1-B-25x40x7	Oil Seal	B-25x40x7 mm	1
61	C6140W05120	Shaft Connector		1
62	C6140W05126	Bearing Cover		1
63	BB-6304	Ball Bearing	20x52x15	1
64	C6140W05761	Double Gear		1
66	C6266C05760W	Shaft (III)		1
67	GB879-6x25	Straight Pin	6x25 mm	1
68	C6266C05770W	Shaft		1
69	C6140W05122	Sleeve		1
70	C6266C05130J	Oil Splash Ring		2
71	GB71-M6x10	Slotted Set Screw	M6x10	2
72	BB-6002	Ball Bearing	15x32x9	1
73	C6266C05774J	Sleeve		1
74	C6266C05123J	Sleeve		1

14.0 Saddle and Cross Slide Assembly – Exploded View

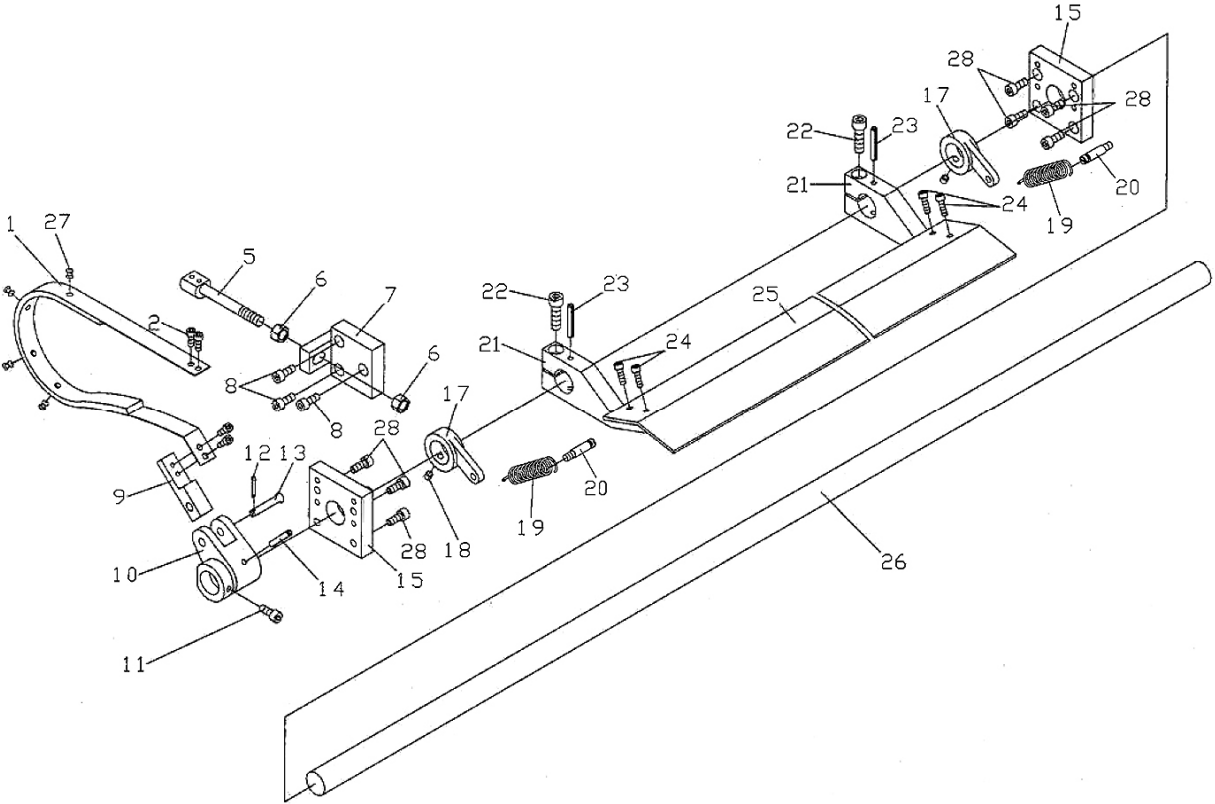


14.1 Saddle and Cross Slide Assembly – Parts List

Index No.	Part No.	Description	Size	Qty
1	C6266C04101A	Saddle		1
2	GB73-M10x16	Slotted Set Screw	M10x16	1
3	C614W04503	Wipe Plate		1
4	GB819-M5x16	Cross Recessed Flat Head Screw	M5x16	8
5	C6140W04107	Lining Plate		1
6a	C6140W04718	Clamping Plate		1
6c	C6140W04720	Clamping Plate		1
7	TS-1506061	Hex Socket Cap Screw	M12x45	4
8	TS-1540081	Hex Nut	M12	4
9	GB85-M10x35	Square Set Screw	M10x35	4
10	C6266C04503	Wipe Plate		1
11	1440R04788	Stop Pin		1
12	1440R04507	Stop Pin Cap		1
13	GB83-M12x70	Square Cap Bolt	M12x70	1
14	GB70-M12x55	Hex Socket Cap Screw	M12x55	8
15	GB119-8x60	Pin	8x60 mm	2
16	C6140W04713	Front Clamping Plate		2
17	C6140W04712	Locking Plate		1
18	GB119-8n6x20	Pin	8n6x20	1
19	GB68-M6x22	Recessed Countersunk Head Screw	M6x22	2
20	C6140W04715	Switch Seat		1
21	C6140W04711	Line Pipe		1
22	C6140W04106	Plug		1
23	C6140W04720	Back Clamping Block		1
24	GB119-8n6x10	Pin	8n6x10	1
25	C6266C04503	Wipe Plate		1
26	C6140W04504	Wipe Plate		1
27	C6266C04756T	Lever Shaft		1
28	C6266C04757T	Lever Sleeve		1
29	GB818-M4x8	Cross Recessed Flat Head Screw	M4x8	3
30	C6266C04306	Panel		1
31	GB819-M5x12	Cross Recessed Flat Head Screw	M5x12	1
32	GB119-3n6x10	Pin	3n6x10	1
33	C6266C04725	Cover		1
34	C6266C04724J	Sleeve		1
35	C6266C04754J	Handle		1
36	GB73-M8x10	Slotted Set Screw	M8x10	1
37	Q81-1-0.8x6x12	Spring	0.8x6x12	1
39	C6266C04733	Positioning Pin		1
40	C6266C04720	Connector		1
41	GB819-M5x14	Cross Recessed Flat Head Screw	M5x14	3
42	GB812-M18x1.5	Round Nut	M18x1.5	2
43	C6266C04719	Connector		1
44	C6266C04718	Leaf Spring		1
45	C6266C04735D	Dial (inches)		1
46	C6140W04107	Screw Support (serial #101129ZH0005 and lower)		1
	C6266C04107JA	Screw Support (serial #111105ZH0006 and higher)		1
47	GB1155-6	Oil Cup	6 mm	1
48	GB70-M8x45	Hex Socket Cap Screw	M8x45	4
49	C6266C04109J	Sleeve (serial #101129ZH0005 and lower)		1
	C6266C04109	Sleeve (serial #111105ZH0006 and higher)		1
50	GB1099-5x7.5x19	Woodruff Key	5x7.5x19	1
51	C6266C04726J	Shaft		1
52	GB117-4x35	Taper Pin	4x35 mm	1
53	C6266C04705	Shaft		8
54	C6266C04103	Sleeve		1

Index No.	Part No.	Description	Size	Qty
55	C6266C04304YA	Nut (inch threads)		1
56	GB1096-5x40	Flat Key	5x40 mm	1
57	C6266C04701A	Lead Screw (inch threads)		1
58	51103	Thrust Bearing	17x30x9	2
59	C6266C04110	Bracket		1
60	GHB1340-84	Taper Pin	8x40 mm	2
61	TS-1504041	Hex Socket Cap Screw	M8x20	2
62	GB1155-6	Oil Cup	6 mm	1
63	C6266C04702	Washer		1
64	GB812-M14x1.5	Round Nut	M14x1.5	2
65	C6266C04501	Wipe Plate		1
66	C6266C04727	Gib Setting Screw		1
67	C6266C04728	Cross Slide Gib		1
68	C6266C04102A	Cross Slide		1
69	C6266C04704	Sleeve		1
70	TS-1505071	Hex Socket Cap Screw	M10x45	2
71	C6140W04714	Cover		1
72	GB818-M5x8	Cross Recessed Pan Head Screw	M5x8	2
73	GB70-M10x75	Hex Socket Cap Screw	M10x75	1
74	GB73-M8x40	Slotted Set Screw	M8x40	1
75	GB119-6x35	Pin	6x35 mm	1
76	C6266C04703	Splash Guard		1
79	GB65-M6x12	Slotted Socket Cap Screw	M6x12	2
80	C6266C04727	Gib Adjusting Screw		1
81	GB818-M6x8	Cross Recessed Pan Head Screw	M6x8	7
82	C6266C04502A	Gasket		1
83	C6266C04729A	Cover		1
84	51104	Bearing (serial #111105ZH0006 and higher)		2

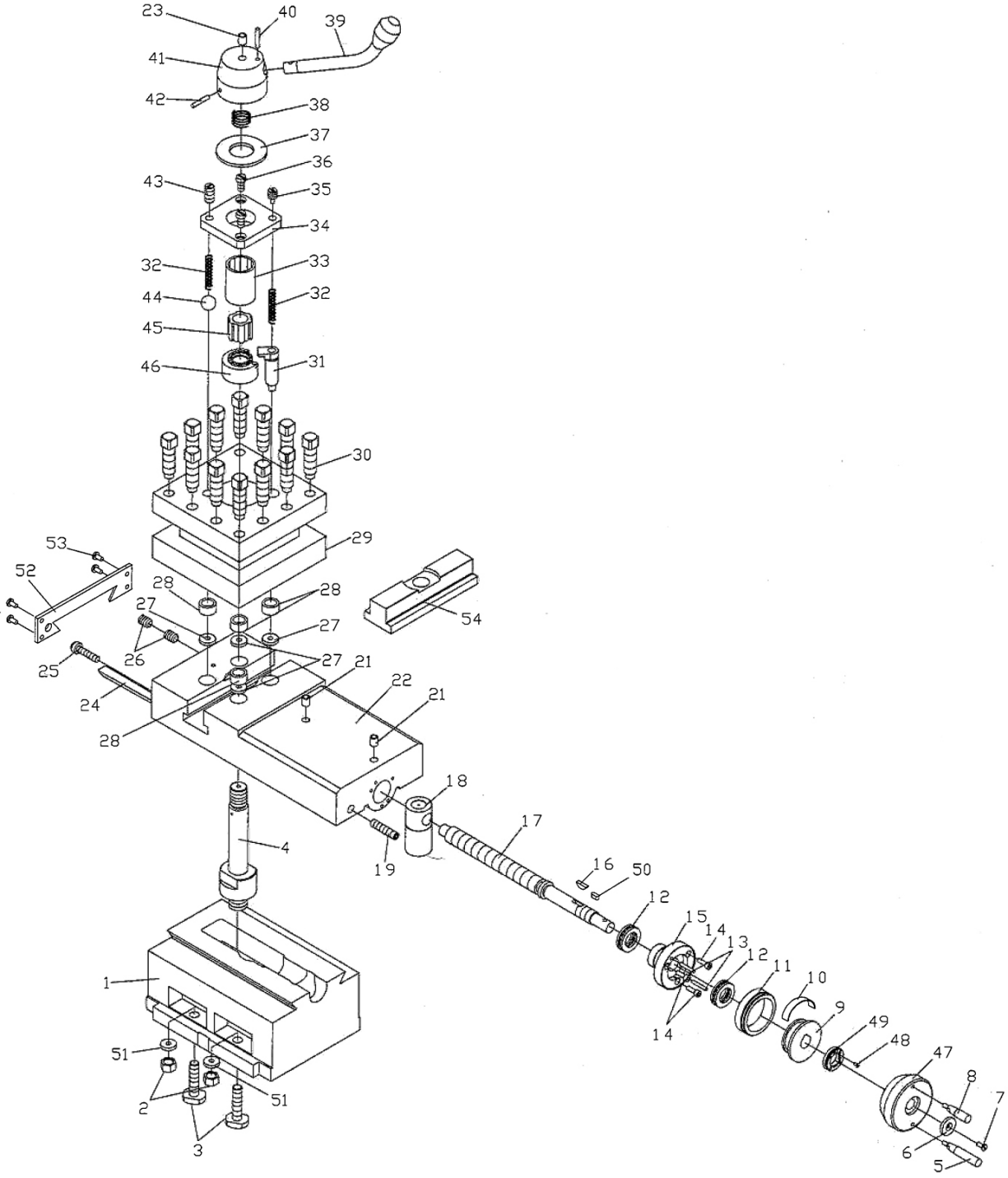
15.0 Brake Assembly – Exploded View



15.1 Brake Assembly – Parts List

Index No.	Part No.	Description	Size	Qty
1	C6266C22705	Brake Belt		1
2	GB70-M6x14	Hex Socket Cap Screw	M6x14	4
5	C6266C22704	Bolt		1
6	TS-2311121	Hex Nut	M12	2
7	C6266C22103	Braking Belt Support		1
8	TS-1504041	Hex Socket Cap Screw	M8x20	3
9	C6266C22706	Brake Block		1
10	C6266C22104	Fork		1
11	TS-1504041	Hex Socket Cap Screw	M8x20	1
12	GB91-3x20	Cotter Pin	3 x 20 mm	1
13	C6266C22707	Clevis Pin		1
14	GB879-6x45	Spring Pin	6x45 mm	1
15	C6266C22101	Support (for 80" Lathe)		2
	C6266C22101	Support (for 120" Lathe)		4
17	C6266C22102	Brake Support (for 80" Lathe)		2
	C6266C22102	Brake Support (for 120" Lathe)		4
18	TS-1524041	Hex Socket Set Screw	M8x8	2
	TS-1524041	Hex Socket Set Screw	M8x84	4
19	Q81-1-2.5X18X80	Spring (for 80" Lathe)	2.5x18x80 mm	2
	Q81-1-2.5X18X80	Spring (for 120" Lathe)	2.5x18x80 mm	4
20	C6266C26702	Screw (for 80" Lathe)		2
	C6266C26702	Screw (for 120" Lathe)		4
21	C6266C22105	Brake Support (for 80" Lathe)		3
	C6266C22105	Brake Support (for 120" Lathe)		6
22	TS-1505051	Hex Socket Head Cap Screw	M10x35	3
	TS-1505051	Hex Socket Head Cap Screw	M10x35	6
23	GB879-6x45	Spring Pin (for 80" Lathe)	6x45 mm	3
	GB879-6x45	Spring Pin (for 120" Lathe)	6x45 mm	3
24	TS-1503051	Hex Socket Cap Screw (for 80" Lathe)	M6x20	4
	TS-1503051	Hex Socket Cap Screw (for 120" Lathe)	M6x20	8
25	C6266C22708C	Pedal (for 80" Lathe only)		1
	C6266C22708D	Pedal (for 120" Lathe only)		2
26	C6266C22703C	Shaft (for 80" Lathe only)		1
	C6266C22703D	Shaft (for 120" Lathe only)		1
27	GB869-M6x10	Rivet	M6x10	4
28	TS-1504041	Hex Socket Cap Screw (for 80" Lathe)	M8x20	8
	TS-1504041	Hex Socket Cap Screw (for 120" Lathe)	M8x20	16

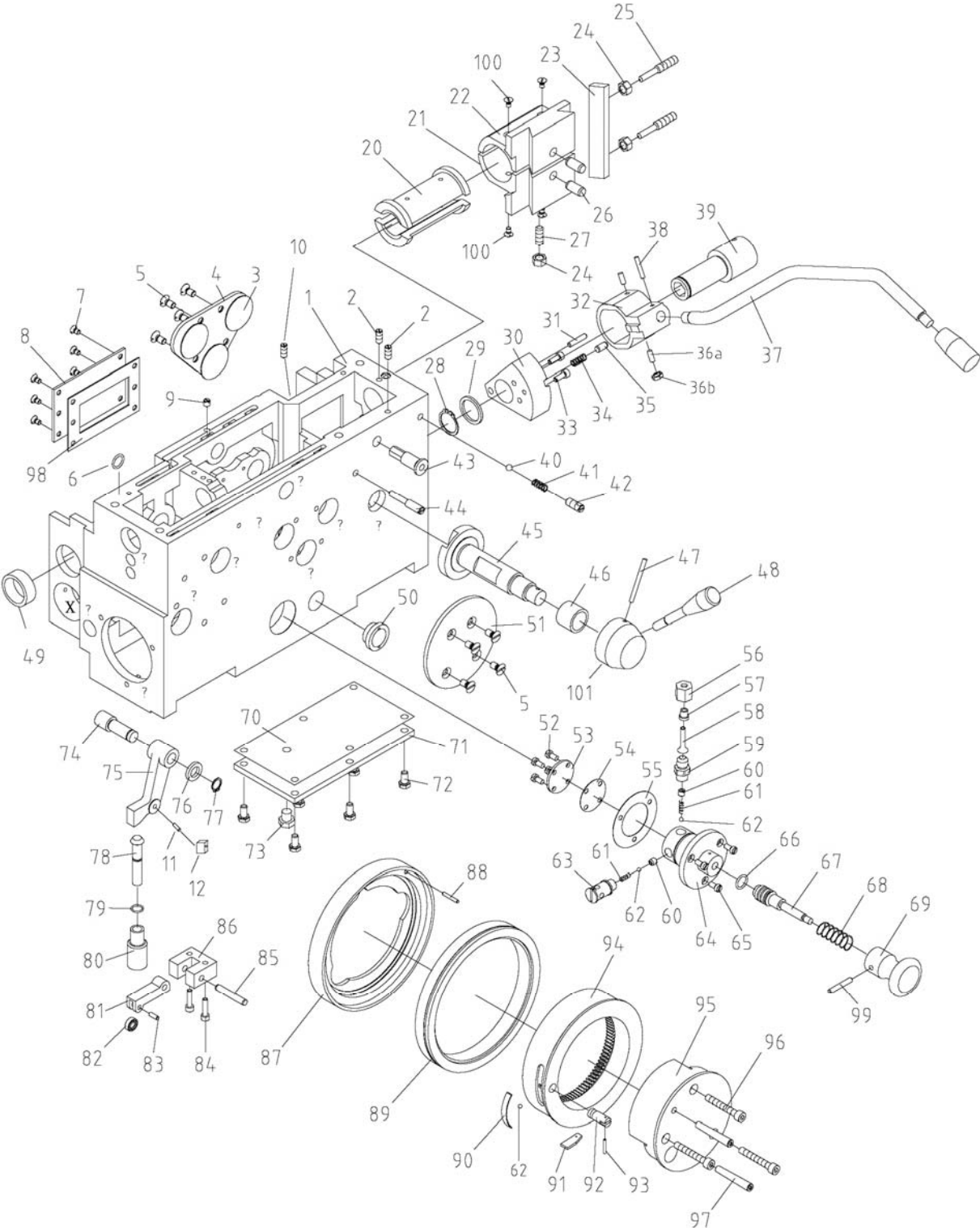
16.0 Tool Post and Compound Rest Assembly – Exploded View



16.1 Tool Post and Compound Rest Assembly – Parts List

Index No.	Part No.	Description	Size	Qty
1	C6266C04104	Revolving Plate		1
2	TS-1540081	Hex Nut	M12	4
3	C6266C04706	Compound Screw		4
4	C6266C04707	Shaft (serial #100710ZH0002 and lower)		1
	C6266C04707K-1	Shaft (serial #101129ZH0003 and higher)		1
5	C666C04758J	Handle		2
6	GB891-B25	Circlip	B25	1
7	GB819-M5x12	Cross Recessed Flat Head Screw	M5x12	1
8	C6266C04757J	Handle		1
9	C6140W04110	Dial		1
10	C6140W04739	Leaf Spring		1
11	C6266C04736A	Dial (inches)		1
12	BB-51104	Thrust Bearing	20x35x10	a2
13	GB117-4x25	Taper Pin	4x25	2
14	CL1640ZX-0221	Hex Socket Cap Screw	M5x14	3
15	C6140W04111A	Bearing		1
16	GB1099-5x7.5x19	Woodruff Key	5x7.5x19	1
17	C6266C04734JA	Lead Screw (inch)		1
18	C6266C04301A	Nut (inch)		1
19	GB77-M12x70	Hex Socket Set Screw	M12x70	1
21	GB1155-10	Oil Cup	10 mm	1
22	C6266C04105	Longitudinal Slide (serial #100710ZH0002 and lower)		1
	C6266C04105K	Longitudinal Slide (serial #101129ZH0003 and higher)		1
23	GB1155-6	Oil Cup	6 mm	3
24	C6266C04717	Slide Gib		1
25	C6266C04716	Adjust Screw		1
26	GB73-M10x20	Slotted Set Screw	M10x20	2
27	C6140W04727	Washer		1
28	C6140W04728	Positioning Sleeve		1
29	C6266C04708J	Tool Post		1
30	GB83- M16x50	Square Cap Bolt	M16x50	12
31	C6266C04715	Positioning Pin		1
32	Q81-1-1.6x8x100	Spring		4
33	C6266C04712	Spline		1
34	C6266C04709	Flange Disc		1
35	C6140W04732	Bolt		1
36	TS-1504031	Hex Socket Cap Screw	M8x16	2
37	C6266C04710	Adjusting Washer		1
38	Q81-1-3x32x55	Spring	3x32x55 mm	1
39	C6266C04711	Handle		1
40	GB119-5n6x32	Pin	5n6x32 mm	1
41	C6266C04106	Lever Support		1
42	GB117-4x40	Taper Pin	4x40 mm	1
43	GB73-M12x14	Slotted Set Screw	M12x14	1
44	SB-19	Steel Ball	19 mm	1
45	C6266C04713	Connector		1
46	C6266C04714	Connector		1
47	C6266C04752JA	Handle Seat (serial #0811ZH0352 and higher)		1
48	GB68-M3x6	Slotted Head Screw (serial #0811ZH0352 and higher)	M3x6	1
49	C6266C04758T	Locking Nut (serial #0811ZH0352 and higher)		1
50	GB1096-5x12	Flat Key (serial #0811ZH0352 and higher)	5x12 mm	1
51	TS-2360121	Flat Washer	12 mm	4
52	C6266C04506	Wipe Plate		1
53	TS-1533052	Cross Recessed Pan Head Screw	M5x16	4
54	C6266C04707K-2	T-Groove Block (serial #101129ZH0003 and higher)		1

17.0 Apron Assembly I – Exploded View

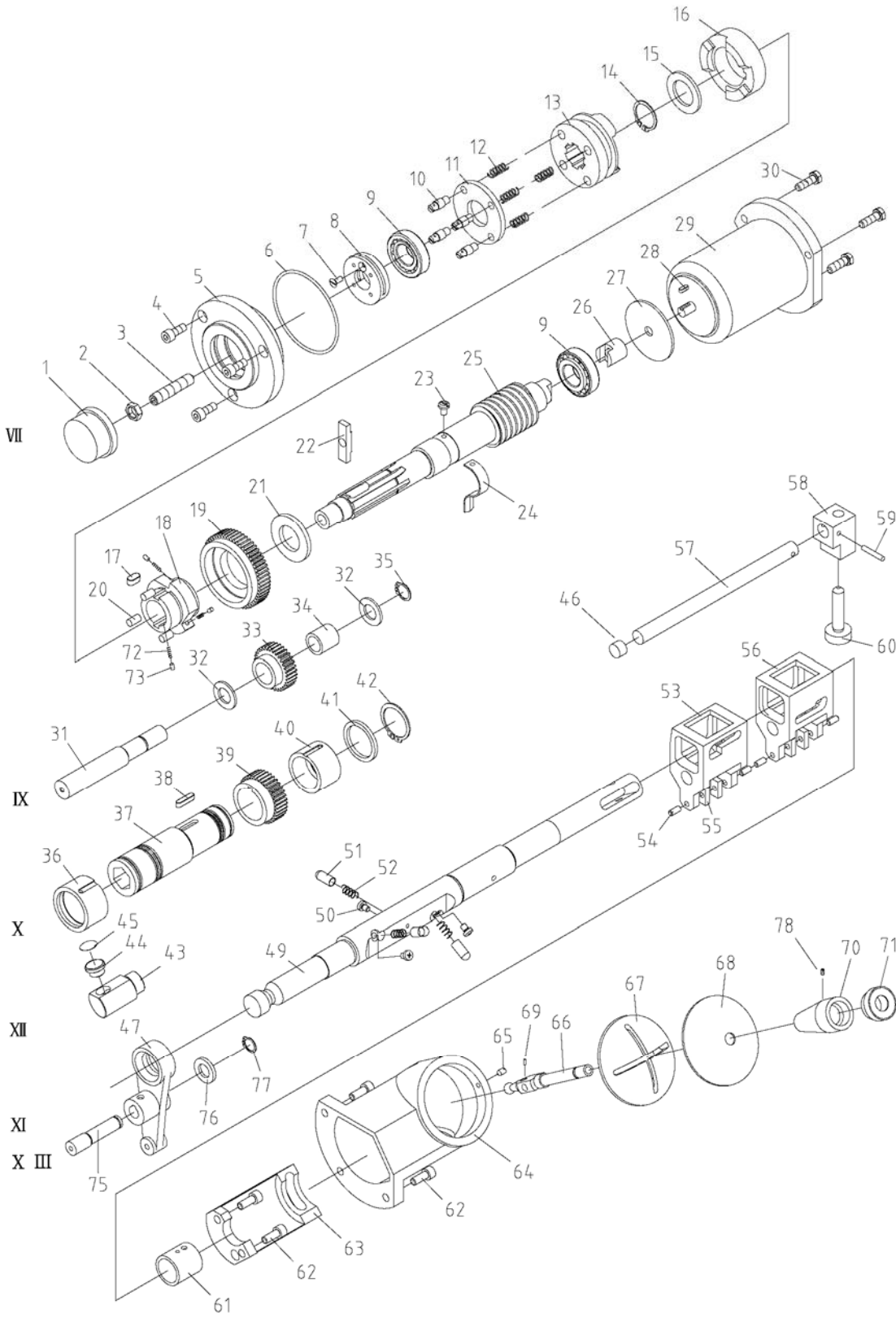


17.1 Apron Assembly I – Parts List

Index No.	Part No.	Description	Size	Qty
1	C6266C06101	Apron Casting		1
2	TS-1524051	Socket Set Screw	M8x20	1
3	C6266C06506	Gasket		3
4	C6140W06750	Back Cover		1
5	GB68-M6x12	Recessed Countersunk Head Screw	M6x12	8
6	GB3452.1-8.75x1.8G	O-Ring	8.75x1.8G	1
7	GB68-M6x10	Recessed Countersunk Head Screw	M6x10	4
8	C6140W06731	Cover		1
9	GB71-M6x10	Slotted Set Screw	M6x10	1
10	C6266C06717	Positioning Screw		1
11	GB1096-6x14	Pin	6x14mm	1
12	C6140W06715	Block		1
20	C6140W06302	Half Nut		1
21	C6140W06107	Upper Nut		1
22	C6140W06108	Lower Nut		1
23	C6140W06759	Gib		1
24	TS-1540071	Hex Nut	M10	2
25	C6140W06758	Cylindrical End Set Screw		1
26	GB119-12x25	Pin	12x25 mm	2
27	GB73-M10x25	Slotted Set Screw	M10x25	1
28	GB894.1-30	Circlip for Shaft	30 mm	1
29	C6140W06755	Washer		1
30	C6266C06105	Positioning Block		1
31	GB117-6x35	Taper Pin	6x35 mm	1
32	C6266C06106	Lever Support		1
33	TS-1503041	Hex Socket Cap Screw	M6x16	2
34	Q81-1-1.2x8x22	Spring	1.2x8x22 mm	1
35	GB119-8x15	Pin	8x15 mm	1
36a	TS-1524051	Hex Socket Set Screw	M8x20	2
36b	GB6172-M8	Hex Nut	M8	2
37	C6266C06711J	Control Handle		1
38	GB117-5x30	Taper Pin	5x30 mm	1
39	C6266C06710	Positioning Sleeve		1
40	SB-10MM	Steel Ball	10 mm	1
41	Q81-1-1.5x8x35	Spring	1.5x8x35 mm	1
42	GB73-M12x14	Slotted Set Screw	M12x14	1
43	C6266C06A780	Positioning Sleeve		1
44	C6140W06716	Bolt		1
45	C6140W06725	Shaft (VII)		1
46	C6140W06303Y	Sleeve		1
47	GB119-5x60	Pin	5x60 mm	1
48	C6140W02799	Handle		1
49	C6266C06104	Sleeve		1
50	M27x1.5	Oil Sight Glass	M27x1.5	1
51	C6140W06760	Front Cover		1
52	GB65-M6x10	Slotted Socket Cap Screw	M6x10	4
53	C6266C06713	Pump Cover		1
54	C6266C06505	Gasket		1
55	C6266C06504	Gasket		1
56	Y91-1A-8	Nut	M8	1
57	C6266C06727	Sleeve		1
58	T3-M	Copper Pipe	Ø6x0.75x450 mm	1
59	C6266C06726	Valve		1
60	C6266C06714	Adjusting Bolt		2
61	Q81-1-0.3x3x12	Spring	0.3x3x12	2
62	SB-5MM	Steel Ball	5 mm	4

Index No.	Part No.	Description	Size	Qty
63	C6266C06715	Oil Purifier		1
64	C6266C06107	Pump		1
65	GB65-M6x12	Slotted Socket Cap Screw	M6x12	3
66	G51-2A-20x2.4	O-Ring	20x2.4 mm	1
67	C6266C06712J	Piston Rod		1
68	Q81-1-1.2x19x70	Spring	1.2x19x70 mm	1
69	1440R4783	Nut		1
70	C6266C06502	Gasket		1
71	C6266C06103	Button Cover		1
72	TS-1504021	Hex Socket Cap Screw	M8x12	6
73	GB38-2-M12x1.5	Drain Plug	M12x1.5	1
74	C6266C06725	Shaft		1
75	C6266C06109	Rocker		1
76	C6266C06724	Washer		1
77	GB894.1-15	Circlip for Shaft	15 mm	1
78	C6266C06721	Rod		1
79	G51-2A-12x1.9	O-Ring	12x1.9 mm	1
80	C6266C06723	Sleeve		1
81	C6266C06722	Block		1
82	BB-606	Bearing	6x17x6 mm	1
83	GB119-6x14	Pin	6x14 mm	1
84	GB75-M5x16	Slotted Socket Set Screw	M5x16	1
85	GB119-8n6x45	Pin	8n6x45	1
86	C6266C06110	Positioning Block		1
87	C6140W06116	Bracket Disc		1
88	GB119-6x25	Pin	6x25 mm	1
89	C6140W06761	Dial		1
90	C6140W06769	Leaf Spring		1
91	C6140W06767	Lock Knob		1
92	C6140W06768	Eccentric Shaft		1
93	GB119-3x12	Pin	3x12 mm	1
94	C6266C06762	Gear (inch)		1
95	C6266C06117	Bracket (inch)		1
96	TS-1504111	Hex Socket Cap Screw	M8x55	3
97	GB119-12n6x40	Pin	12n6x40 mm	1
98	C6266C06501	Gasket		1
99	GB117-4x18	Taper Pin	4x18	1
100	GB68-M6x12	Recessed Countersunk Head Screw	M6x12	4
101	C6140W06109	Handle Seat		1

18.0 Apron Assembly II – Exploded View



18.1 Apron Assembly II – Parts List

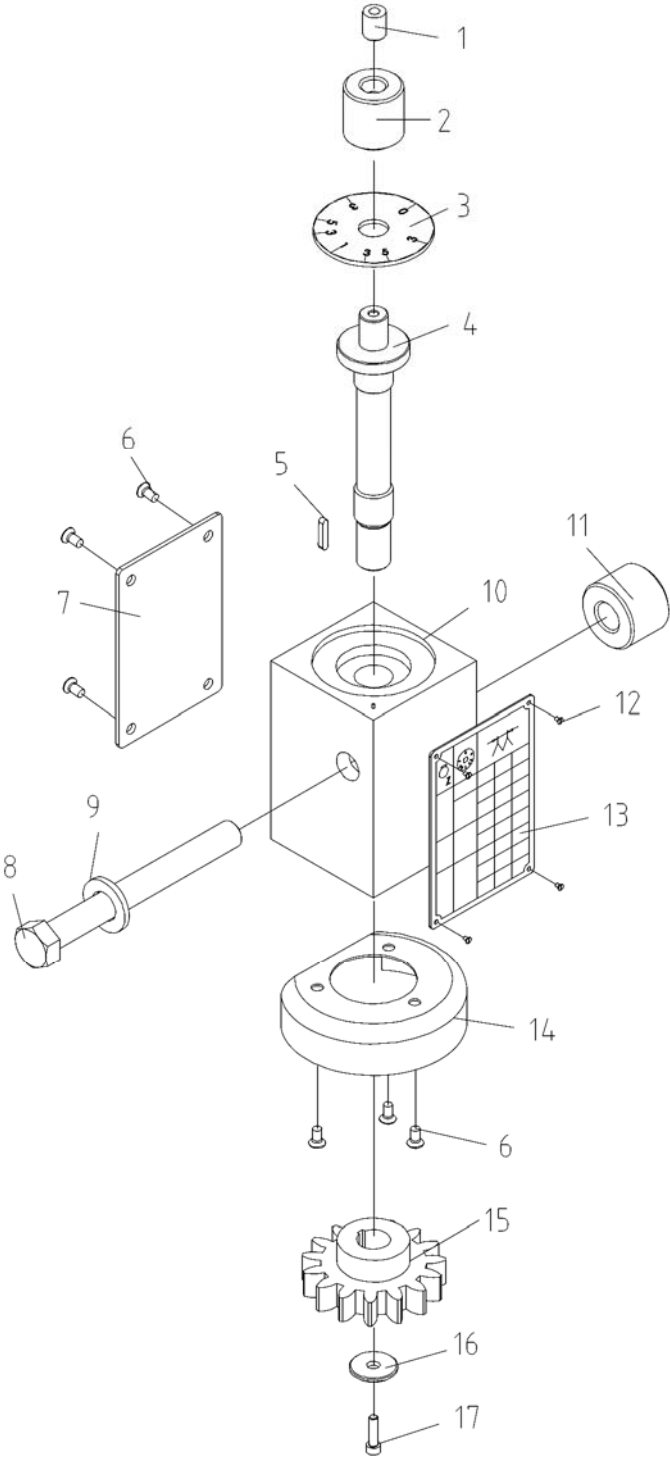
Index No.	Part No.	Description	Size	Qty
1	C6140W06738	Cap		1
2	GB6172-M12	Hex Flat Nut	M12	1
3	GB78-M12x60	Hex Set Screw	M12x60	1
4	TS-1504041	Hex Socket Cap Screw	M8x20	3
5	C6140W06111	Flange		1
6	G51-2A-90x3.1	O-Ring	90x3.1 mm	1
7	GB68-M5x12	Recessed Countersunk Head Screw	M5x12	1
8	C6140W06739	Adjusting Circlip		1
9	30502/P6-25x52x15	Bearing	25x52x15 mm	2
10	C6266C06734	Bolt		4
11	C6140W06740	Washer		1
12	Q81-1-1x10x35	Spring	1x10x35 mm	4
13	C6266C06707	Clutch		1
14	GB894.1-30	Circlip for Shaft	30 mm	1
15	C6266C06708	Washer		1
16	C6266C06706	Clutch		1
17	GB1096-8x16	Flat Key	8x16 mm	1
18	C6140W06708	Star Gear		1
19	C6140W06709	Gear		1
20	C6140W06726	Pin		3
21	C6140W06710	Washer		1
22	C6140W06737	Block		1
23	GB67-M6x10	Slotted Pan Head Screw	M6x10	1
24	C6140W06729	Splash Leaf		1
25	C6266C06709	Worm		1
26	C6140W06728	Motor Connector		1
27	C6266C06503	Washer		1
28	GB1096-4x14	Flat Key	4x14 mm	1
29	YSS56BJ	Rapid Feed Motor	1/2HP, 230/460V	1
30	TS-1490051	Hex Cap Screw	M8x30	3
31	C6140W06736	Shaft (IX)		1
32	C6140W06735	Washer		2
33	C6140W06734	Gear		1
34	C6140W06306	Sleeve		1
35	GB894.1-16	Circlip for Shaft	16 mm	1
36	C6140W06305	Sleeve		1
37	C6140W06733	Shaft (X)		1
38	GB1096-6x25	Flat Key	6x25 mm	1
39	C6140W06732	Gear		1
40	C6140W06304	Sleeve		1
41	C6140W06730	Washer		1
42	GB894.1-38	Circlip for Shaft	38 mm	1
43	C6266C6704A	Oil Tap Cover		1
44	C6266C06705A	Oil Tap		1
45	C6266C04A311	Label		1
46	C6266C06102	Plug		1
47	C6140W06103	Fork		1
49	C6266C06712	Control Shaft		1
50	GB67-M6x8	Slotted Pan Head Screw	M6x8	3
51	C6140W06701	Pin		3
52	Q81-1-1.6x8x22	Spring	1.6x8x22 mm	3
53	C6140W06713	Fork		1
54	GB119-6n6x14	Pin	6n6x14	6
55	C6140W06715	Sliding Block		6
56	C6140W06714	Right Fork		1

Index No.	Part No.	Description	Size	Qty
57	C6140W06717	Shaft		1
58	C6140W06104	Interlocking Block		1
59	GB117-5x30	Taper Pin	5x30 mm	1
60	C6140W06718	Shaft		1
61	C626C06304	Sleeve		1
62	TS-1504041	Hex Socket Cap Screw	M8x20	5
63	C6140W06719	Bracket		1
64	C6140W06105	Bracket		1
65	GB71-M6x10	Slotted Set Screw	M6x10	1
66	C6140W06722	Handle		1
67	C6140W06106	Cross Cover		1
68	C6140W06501	Washer		1
69	GB6173-M12x1.25	Hex Flat Nut	M12x1.25	1
70	C6140W06721	Handle		1
71	C6140W06720	Washer		1
72	Q81-1-0.3x3x12	Spring	0.3x3x12 mm	3
73	C6140W06727	Pin		3
75	C6140W06704	Shaft (XIII)		1
76	C6140W06705	Washer		1
77	GB894.1-14	Circlip For Shaft	14	1
78	GB71-M5x6	Slotted Set Screw	M5x6	1

19.1 Apron Assembly III – Parts List

Index No.	Part No.	Description	Size	Qty
1	C6140W06751	Gear		1
2	GB71-M6x8	Slotted Set Screw	M6x8	2
3	C6140W06309	Sleeve		1
4	C6140W06752	Gear		1
5	C6266C06728	Shaft (VI)		1
6	C6140W06754	Washer		1
7	GB894.1-20	Circlip for Shaft	20 mm	1
8	C6140W06114	Plug		1
9	C6140W06113	Sleeve		3
10	C6140W06749	Gear		1
11	C6140W06308	Worm Wheel		1
12	GB72-M8x16	Slotted Set Screw	M8x16	1
13	GB1099-6x22	Woodruff Key	6x22 mm	1
14	GB1099-8x28	Woodruff Key	8x28 mm	1
15	C6140W06748	Shaft (IV)		1
16	C6140W06115	Sleeve		3
17	G51-2A-35x3.1	O-Ring	35x3.1 mm	3
18	C6140W06746	Gear		2
19	C6140W06307	Sleeve		4
20	GB71-M6x10	Slotted Set Screw	M6x10	4
21	C6140W06744	Gear		4
22	GB1099-5x16	Woodruff Key	5x16 mm	2
23	C6140W06747	Shaft (III)		2
24	C6140W06745	Connector		2
25	C6140W06743	Shaft (II)		1
26	GB1099-8x28	Woodruff Key	8x28 mm	1
27	G51-2A-35x3.1	O-Ring	35x3.1 mm	1
28	C6140W06742	Gear		1
29	C6140W06118	Sleeve		1
30	C6266C06764	Gear (in.)		1
31	ZX-Q66	Taper Pin	5x35 mm	1
32	C6140W06112	Plug		1
33	C6140W06774	Washer		1
34	Q81-1-1.6x18x25	Spring	1.6x18x25 mm	1
35	C6140W06773	Connector		1
36	C6140W06772	Washer		1
37	C6140W06311	Sleeve		1
38	C6140W06771	Gear		1
39	C6140W06770	Washer		1
40	C6140W06120	Sleeve		1
41	G51-2A-18x2.4	O-Ring	18x2.4 mm	1
42	C6140W06775	Shaft (I)		1
43	GB91-4X25	Pin	4X25mm	1
44	GB1096-4x20	Flat Key	4x20 mm	1
45	GB1099-5x16	Woodruff Key	5x16 mm	1
46	C6266C06111	Handwheel		1
49	C6140W06765	Lever Sleeve		1
50	GB891-5x12	Circlip	5x12 mm	1
51	GB68-25	Recessed Countersunk Head Screw	25 mm	1
52	C6266C06763	Gear (in.)		1
53	C6140W06310Y	Sleeve		1
54	GB119-12n6x40	Pin	12n6x40	1
55	GB71-M6x8	Slotted Set Screw	M6x8	1
56	G51-2A-25X2.4	O-Ring	25x2.4 mm	1

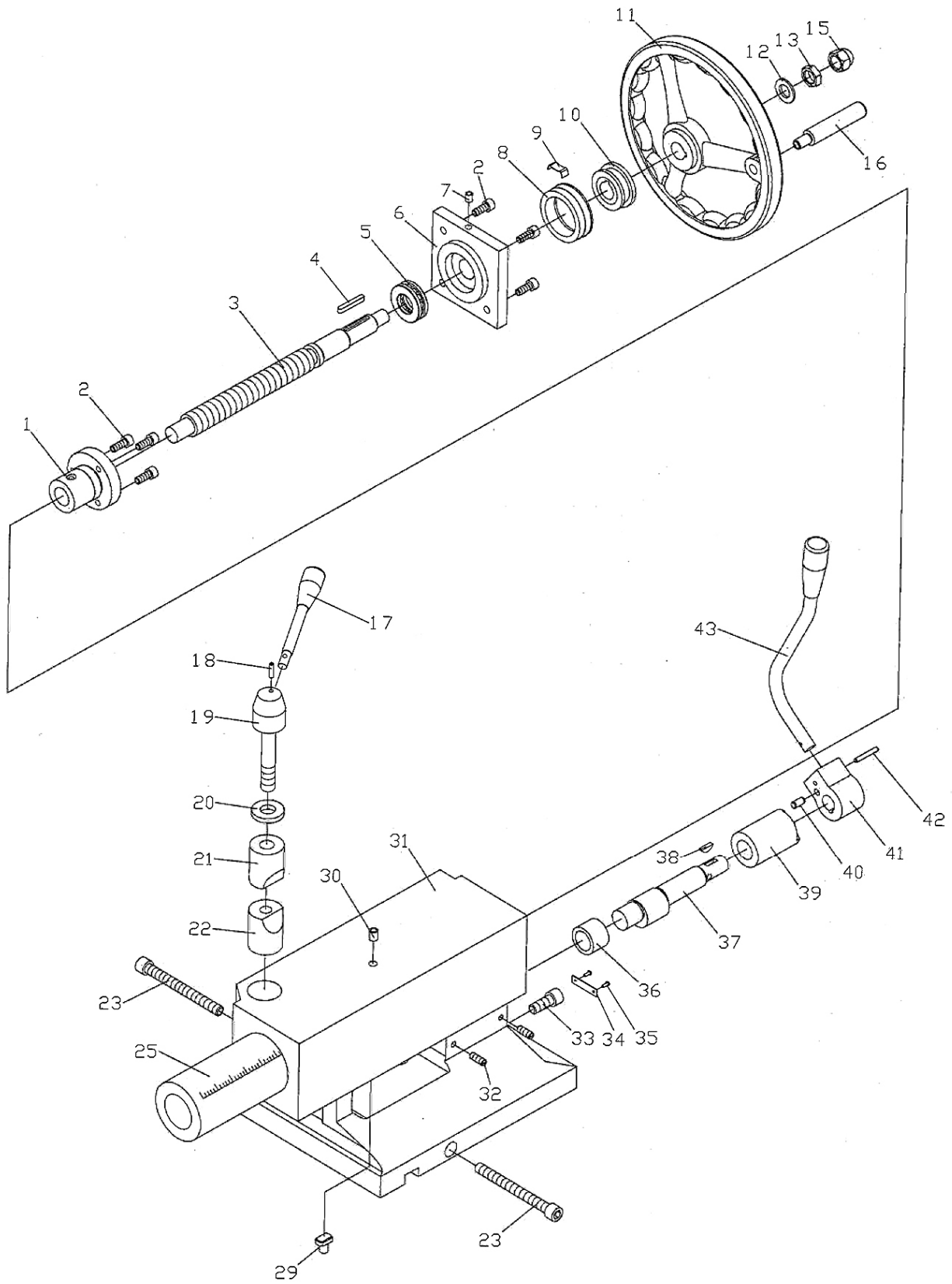
20.0 Apron Assembly IV – Exploded View



20.1 Apron Assembly IV – Parts List

Index No.	Part No.	Description	Size	Qty
1.....	GB1155-10	Oil Cup.....	10 mm.....	1
2.....	C6266C11703.....	Handle	1
3.....	C6266C11305.....	Label.....	1
4.....	C6266C11702.....	Shaft	1
5.....	GB1096-4x15.....	Key	4x15 mm	1
6.....	TS-2284082	Cross Recessed Pan Head Screw.....	M4x8	7
7.....	C6266C11701.....	Cover.....	1
8.....	GB5782- M12x110.....	Hex Cap Bolt.....	M12x110 mm.....	1
9.....	TS-2360121	Flat Washer.....	12 mm.....	1
10.....	C6266C11101.....	Casting.....	1
11.....	C6266C11705.....	Sleeve.....	1
12.....	GB827-2x5	Aluminum Rivet.....	2x5 mm	4
13.....	C6266C11306.....	Label, Thread Chaser (inches)	1
14.....	C6266C11704.....	Cover Casting	1
15.....	C6266C11104.....	Helical Gear	1
16.....	C6266C11706.....	Washer	1
17.....	TS-1502021	Hex Socket Cap Screw.....	M5x10	1

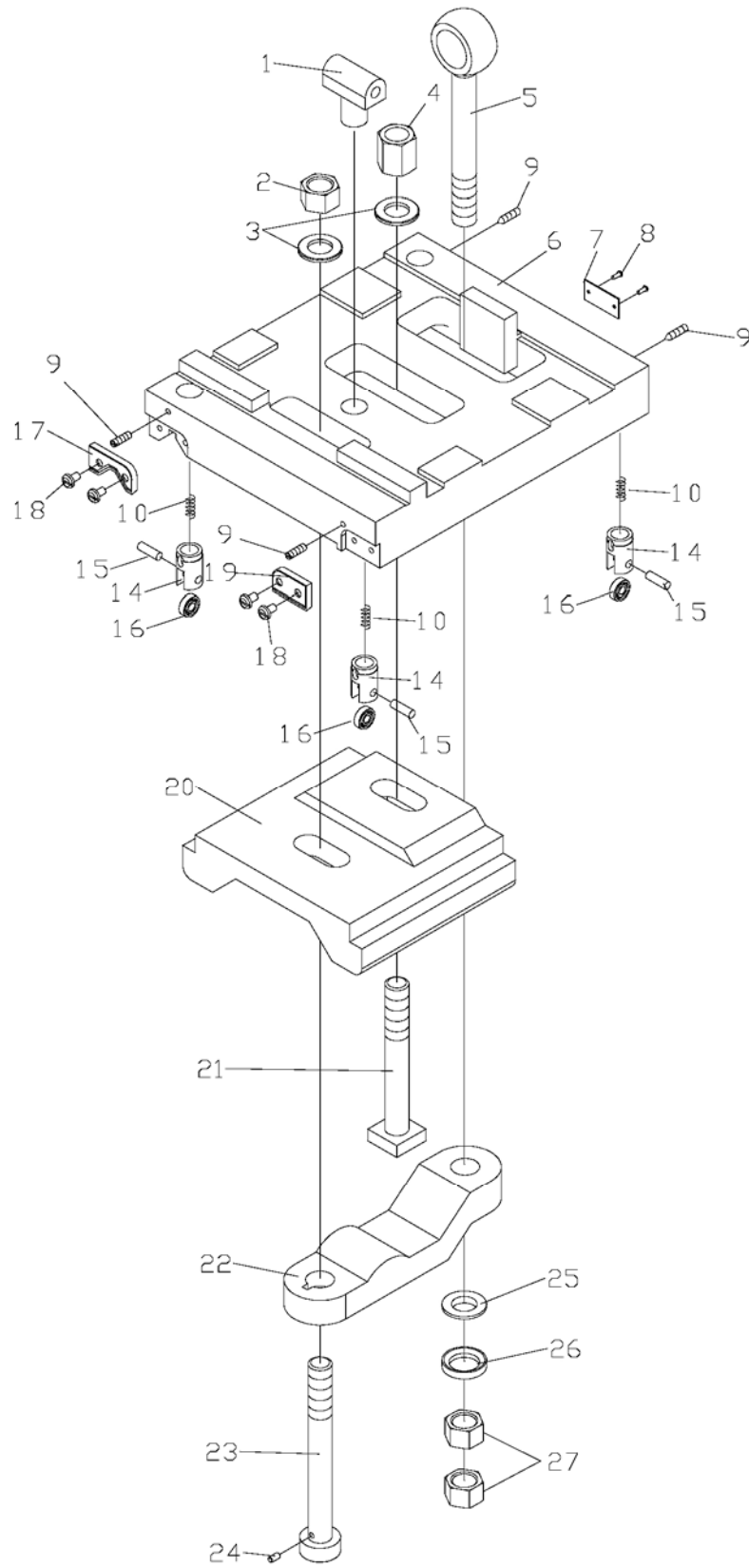
21.0 Tailstock Assembly I – Exploded View



21.1 Tailstock Assembly I – Parts List

Index No.	Part No.	Description	Size	Qty
1	1440R03105	Nut		1
2	TS-1504041	Hex Socket Cap Screw	M8x20	7
3	1860R03710A	Lead Screw		1
4	GB1096-6x40	Flat Key	6x40 mm	1
5	BB-51205	Thrust Bearing	25x47x15 mm	1
6	C6266C03105	Back Cover		1
7	GB1155-8	Oil Cup	8 mm	2
8	1440R03708	Dial		1
9	C613203711	Leaf Spring		1
10	1440R03706	Sleeve		1
11	C6140W03107A	Handwheel		1
12	TS-155010	Flat Washer	16 mm	1
13	GB6172-M16	Hex Flat Nut	M16	1
15	GB923-M16	Acorn Nut	M16	1
16	C613206710A	Lever		1
17	C6140W03710	Lever		1
18	GB117-5x20	Straight Pin	5x20 mm	1
19	C6140W03715	Lever Support		1
20	C6140W03716	Washer		1
21	C6140W03717	Clamping Block		1
22	C6140W03718	Clamping Block		1
23	GB70-M12x120	Hex Socket Cap Screw	M12x120	2
25	1860R03701A	Center Sleeve		1
28	TS-1505011	Hex Socket Cap Screw	M10x16	1
29	1440R03702	Positioning Block		1
30	GB1155-10	Oil Cup	10 mm	1
31	C6266C03101	Tailstock Casting		1
32	GB75-M8x25	Slotted Cylindrical End Set Screw	M8x25	2
33	TS-1506021	Hex Socket Cap Screw	M12x25	1
34	C613203303	Scale		1
35	GB867-3x8	Cup Head Rivet	3x8 mm	4
36	C6140W03103	Sleeve		1
37	C6250B03704	Eccentric Shaft		1
38	GB117-6x45	Taper Pin	6x45 mm	1
39	C6250B03103	Sleeve		1
40	GB119-8x15	Pin	8x15 mm	1
41	C6250B03104	Lever Sleeve		1
42	GB117-5x40	Taper Pin	5x40 mm	1
43	C6250B03705	Lock Handle		1

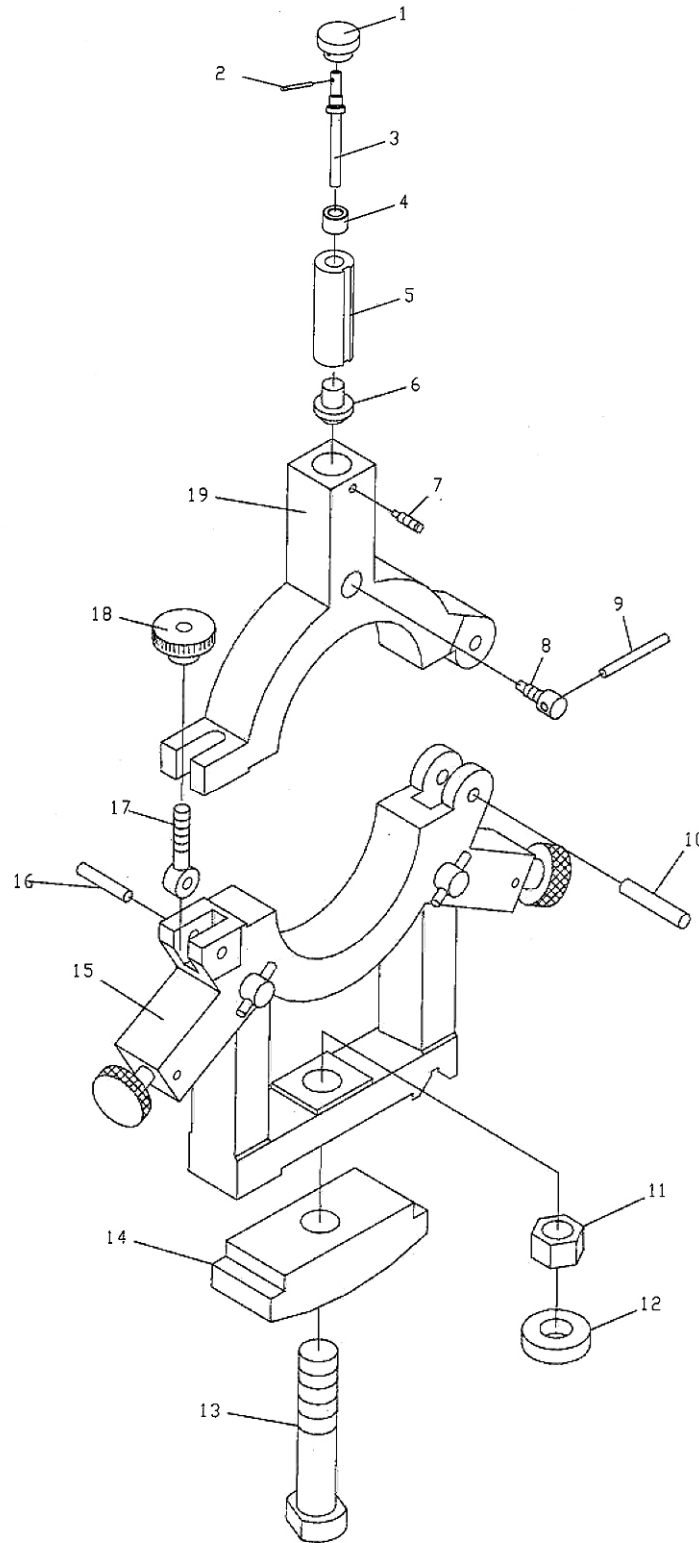
22.0 Tailstock Assembly II – Exploded View



22.1 Tailstock Assembly II – Parts List

Index No.	Part No.	Description	Size	Qty
1	C6140W03110	Nut		1
2	GB6171-M20x1.5	Hex Nut	M20x1.5	1
3	TS-1550111	Flat Washer	20 mm	1
4	GB56-M20	Hex Thick Nut	M20	1
5	C6266C03703	Pulling Rod		1
6	C6266C03102	Sliding Base		1
7	C613203302	Indicator Plate		1
8	GB867-3x8	Cup Head Rivet	3x8 mm	4
9	GB75-M6x16	Slotted Cylindrical End Set Screw	M6x16	4
10	GB2089-1.8x14x18	Spring	1.8x14x18 mm	4
14	C6140W03713	Bearing Support		4
15	C6140W03714	Small Axle		4
16	BB-607ZZ	Ball Bearing	7x19x6 mm	4
17	C6140W03502	Wipe Plate		1
18	TS-1534032	Phillips Pan Head Machine Screw	M6x10	4
19	C6140W03503	Wipe Plate		1
20	C6140W03104	Clamping Block		1
21	C6266C03702	Screw		1
22	C6140W03111	Clamping Block		1
23	C6266C03701	Screw		1
24	GB119-5x10	Straight Pin	5x10 mm	1
25	GB849-20	Spherical Washer	20 mm	1
26	GB850-20	Taper Washer	20 mm	1
27	GB6173-M20x1.5	Hex Nut	M20x1.5	2

23.0 Steady Rest Assembly (Small and Large) – Exploded View



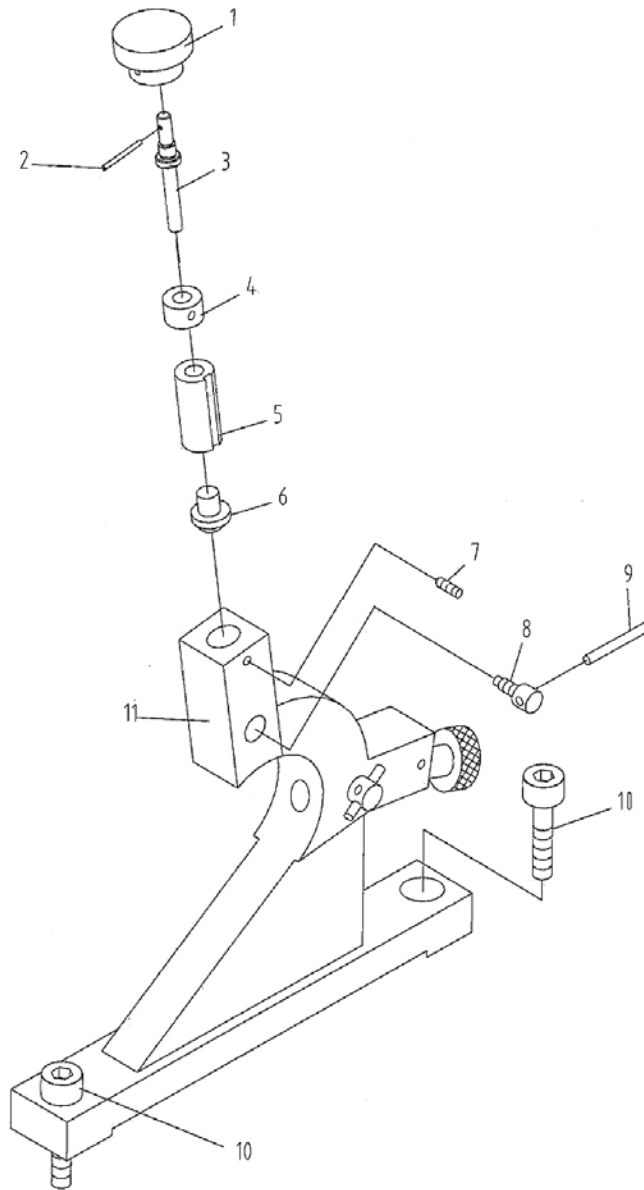
23.1 Steady Rest Assembly (Small) – Parts List

Index No.	Part No.	Description	Size	Qty
1	GB4141.29-12	A-Type Knurled Handle	12 mm	3
2	GB117-4x25	Pin	4x25 mm	3
3	C6140W10702	Screw		3
4	C6140W10703	Nut		3
5	C6140W10705	Sliding Sleeve		3
6	C6140W10301	Block		3
7	GB75-M10x16	Slotted Set Screw	M10x16	3
8	C6140W10704	Set Screw		3
9	GB119-A6x45	Pin	A6x45	3
10	GB119-A16x55	Pin	A16x55	1
11	ZX-SR10	Extra Thick Hex Nut	M20	1
12	ZX-SR11	Washer	20 mm	1
13	C6140W10706	Square Head Bolt		1
14	C6140W10104	Clamping Plate		1
15	C6266C10A101	Steady Rest Lower Body		1
16	GB119-A8x55	Pin	A8x55	1
17	C6140W10701	Screw		1
18	GB4141.29-M12	B-Type Knurled Handle	M12	1
19	C6140W10102	Steady Rest Upper Body		1

23.2 Steady Rest Assembly (Large) – Parts List

Index No.	Part No.	Description	Size	Qty
1	GB4141.29-12	A-Type Knurled Handle	12 mm	3
2	GB117-4x25	Pin	4x25 mm	3
3	C6266C10702	Screw		3
4	C6266C10701	Nut		3
5	C6266C10703	Sliding Sleeve		3
6	C6266C10301	Block		3
7	GB75-M10x16	Slotted Set Screw	M10x16	3
8	C6140W10704	Set Screw		3
9	GB119-A6x45	Pin	A6x45	3
10	GB119-A16x55	Pin	A16x55	1
11	ZX-SR10	Extra Thick Hex Nut	M20	1
12	ZX-SR11	Washer	20 mm	1
13	C6140W10706	Square Head Bolt		1
14	C6140W10104	Clamping Plate		1
15	C6266C10101	Steady Rest Lower Body		1
16	GB119-A8x55	Pin	A8x55	1
17	C6140W10701	Screw		1
18	GB4141.29-M12	B-Type Knurled Handle	M12	1
19	C6266C10102	Steady Rest Upper Body		1

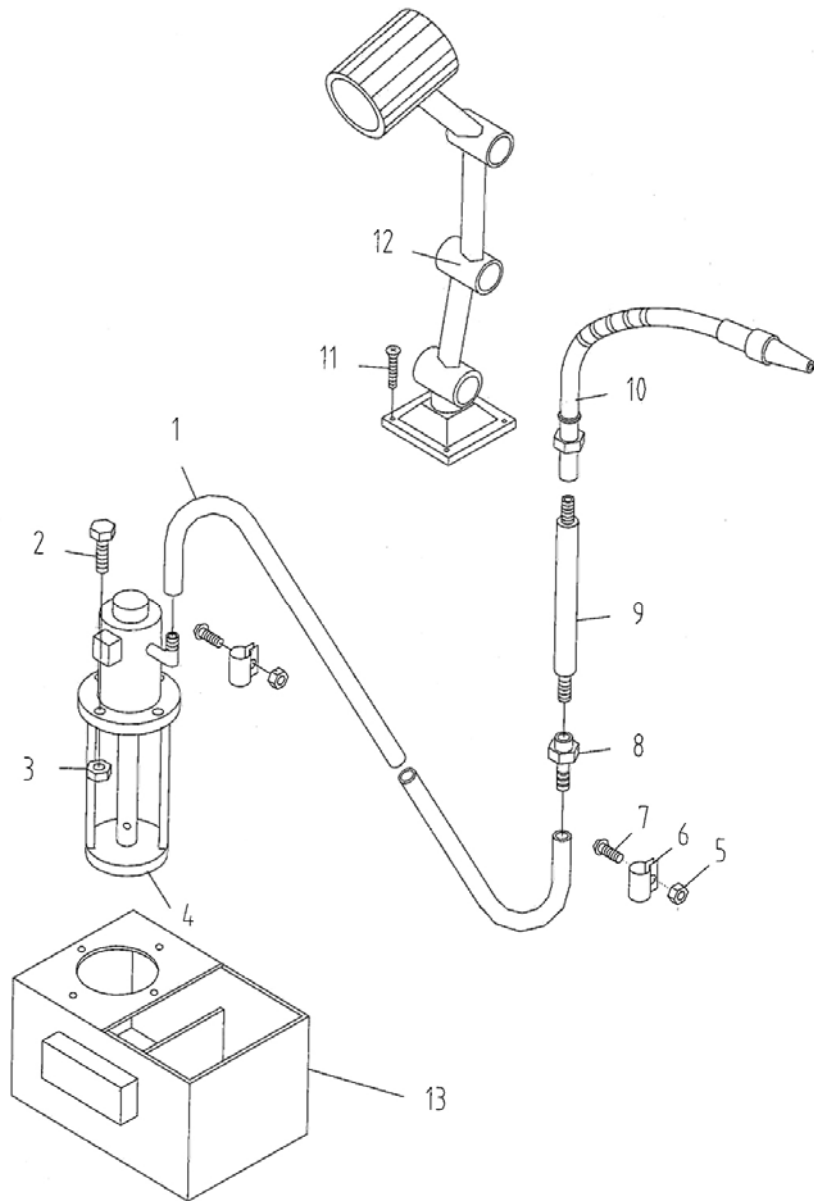
24.0 Follow Rest Assembly – Exploded View



24.1 Follow Rest Assembly – Parts List

Index No.	Part No.	Description	Size	Qty
1.....	GB4141.29-12	A-Type Knurled Handle	12 mm	2
2.....	GB117-4x25.....	Pin	4x25 mm	2
3.....	C626610705	Screw.....	2
4.....	C6266C10704.....	Nut.....	2
5.....	C6266C10706.....	Sliding Sleeve	2
6.....	C6266C10302.....	Block.....	2
7.....	GB75-M10x16.....	Slotted Set Screw.....	M10x16	2
8.....	C6140W10704.....	Set Screw	2
9.....	GB119-A6x45	Pin	A6x45.....	2
10.....	GB70-M16x55.....	Hex Socket Cap Screw.....	M16x55	2
11.....	C6266C10103.....	Follow Rest Casting	1

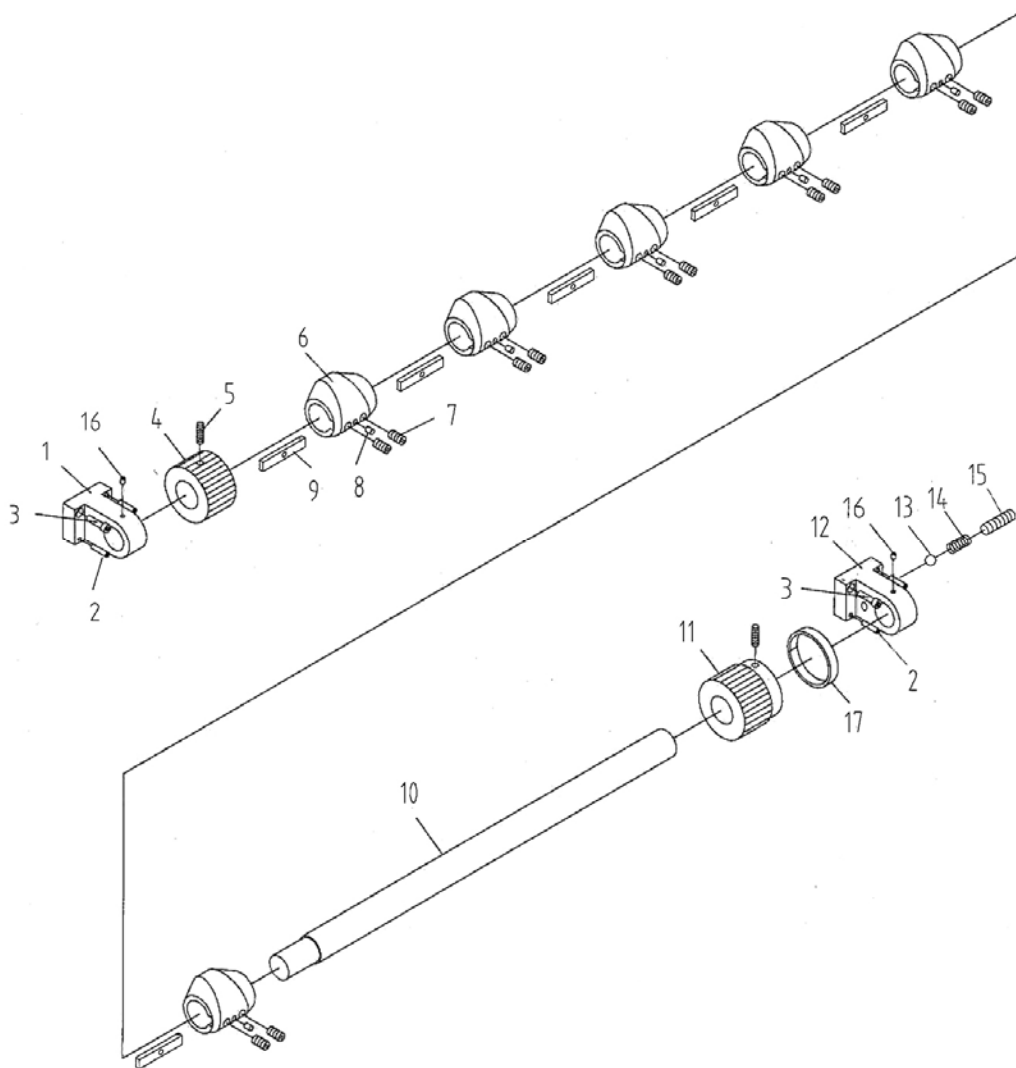
25.0 Coolant and Work Light Assembly – Exploded View



25.1 Coolant and Work Light Assembly – Parts List

Index No.	Part No.	Description	Size	Qty
1.....	RT-001C.....	Rubber Tube.....	ID 1/2" x 2280.....	1
2.....	TS-2205201.....	Hex Cap Screw.....	M5x20.....	4
3.....	ZX-CW03.....	Hex Nut.....	M5.....	4
4.....	AB-25-1/8HP.....	Coolant Pump.....	1/8HP 230/460V.....	1
5.....	TS-1540041.....	Hex Nut.....	M6.....	2
6.....	ZX-01727.....	Clip for Rubber Tube.....	1
7.....	TS-2286202.....	Phillips Pan Head Machine Screw.....	M6x20.....	2
8.....	C6140W01731.....	Fitting.....	1
9.....	C6140W01730.....	Flow Pipe.....	1
10.....	ZH-CT.....	Coolant Tube.....	1/2"x16x700.....	1
11.....	TS-1503051.....	Hex Socket Cap Screw.....	M6x20.....	4
12.....	JC52.....	Work Lamp.....	24V, 50W.....	1
13.....	ZX01510.....	Coolant Tank.....	1

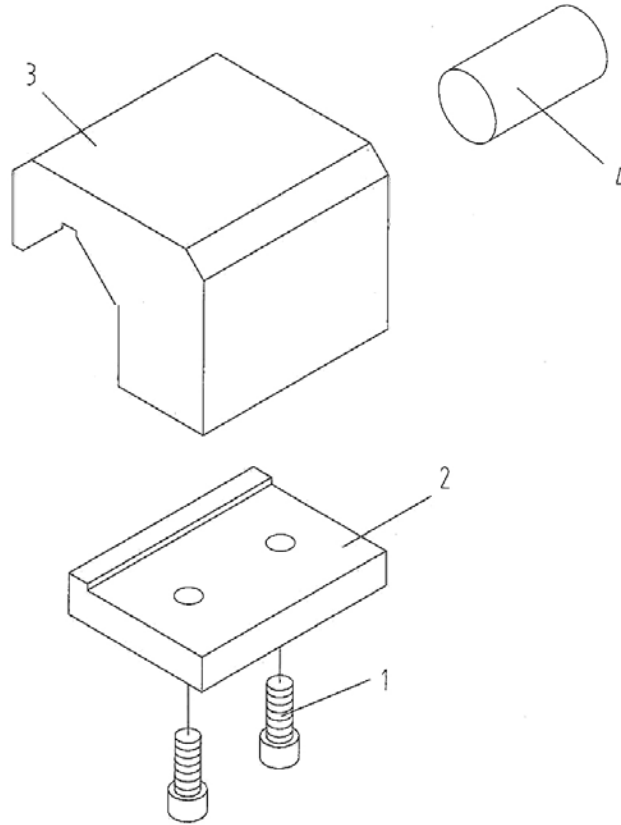
26.0 Travel Stop Assembly – Exploded View



26.1 Travel Stop Assembly – Parts List

Index No.	Part No.	Description	Size	Qty
1.....	C6266C26A102	Left Support		1
2.....	GB118-10x40.....	Pin	10x40 mm	4
3.....	TS-1504081	Hex Socket Cap Screw.....	M8x40	4
4.....	C6266C26A721	Left Control Ring		1
5.....	GB79-M8x16.....	Hex Socket Set Screw (Dog Pt.).....	M8x16	2
6.....	C6266C26712.....	Eccentric Travel Setting Ring.....		6
7.....	GB77-M8x8.....	Hex Socket Set Screw (Cone Pt.).....	M8x8	12
8.....	GB119-4x10.....	Pin	4x10 mm	6
9.....	C6266C26713.....	Locking Key		6
10.....	C6266C26A707C.....	Travel Set Rod (for 80" ZH only).....		1
.....	C6266C26A707D.....	Travel Set Rod (for 120" ZH only).....		1
11.....	C6266C26A720	Right Control Ring.....		1
12.....	C6266C26A101	Right Support.....		1
13.....	SB-8MM.....	Steel Ball.....	8 mm	1
14.....	GB2089-1.5x8x20	Spring	1.5x8x20 mm.....	1
15.....	GB77-M10x20.....	Hex Socket Set Screw.....	M10x20	1
16.....	ZX-CS16.....	Oil Cup.....	8 mm	1
17.....	C6266C26A301	Label, Travel Stop		1

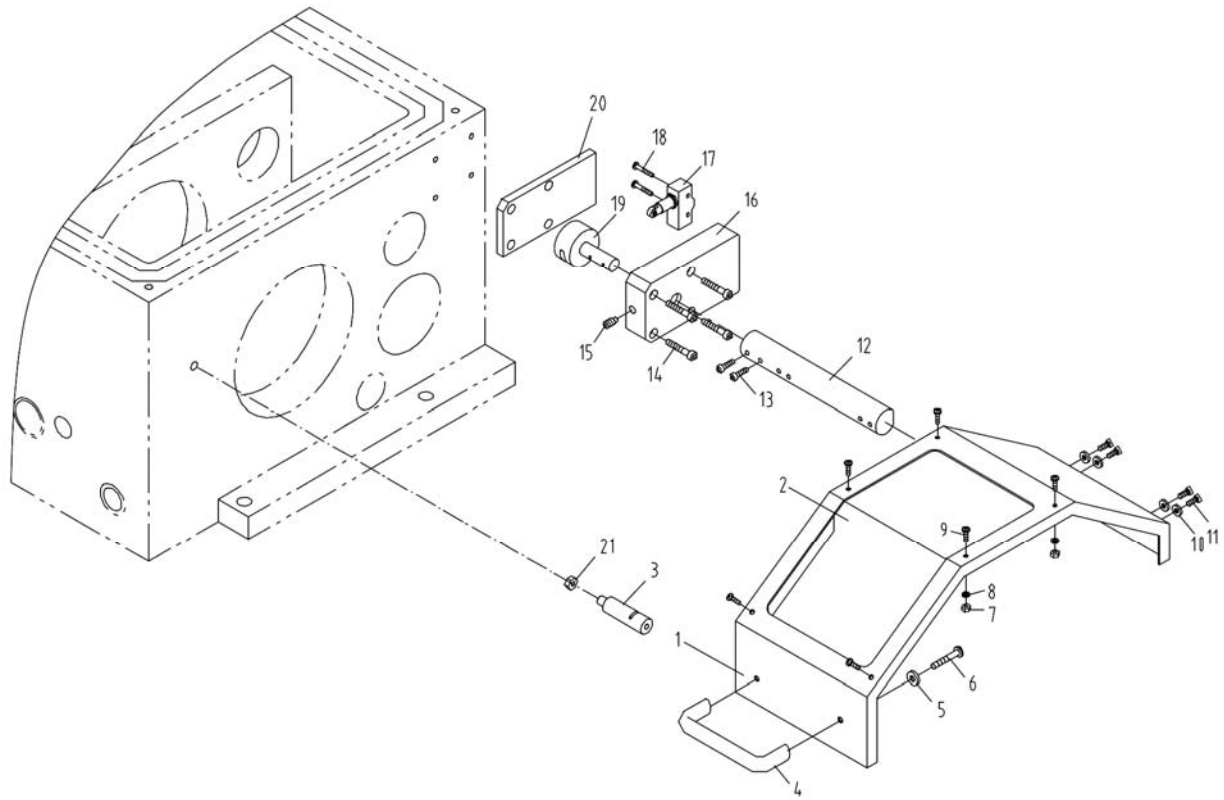
27.0 Small Carriage Stop – Exploded View



27.1 Small Carriage Stop – Parts List

Index No.	Part No.	Description	Size	Qty
1.....	TS-1492031.....	Hex Cap Screw.....	M12x35.....	2
2.....	C6266C01112.....	Clamping Plate.....		1
3.....	C6266C01111.....	Stop.....		1
4.....	GB119-12x40.....	Pin.....	12x40 mm.....	1

28.0 Chuck Guard Assembly – Exploded View

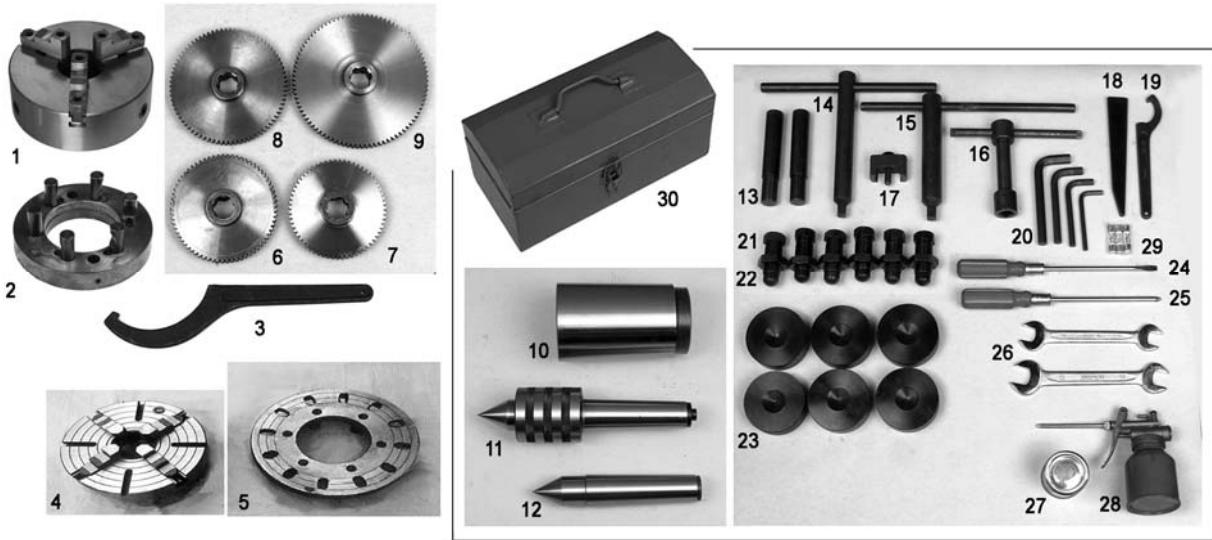


28.1 Chuck Guard Assembly – Parts List

Index No.	Part No.	Description	Size	Qty
1.....	GH1640ZX19701	Protection Guard		1
2.....	ZX-19501E	Protection Guard Visual Glass.....		1
3.....	ZX-19704E	Fixing Rod.....		1
4.....	ZX-S04E	Handle	Z96-6	1
5.....	TS-1550041	Plain Washer.....	6 mm	2
6.....	TS-1534042.....	Cross Recessed Pan Head Screw	M6x12	2
7.....	ZX-S07E	Hex Thin Nut.....	M4	6
8.....	TS-1550021	Plain Washer.....	4 mm	6
9.....	TS-1532042	Cross Recessed Pan Head Screw	M4x12	6
10.....	TS-1550031	Plain Washer.....	5 mm	4
11.....	TS-1502041	Hex Socket Cap Screw.....	M5x16	4
12.....	ZX-19703E	Rest Bar.....		1
13.....	ZX-S13E	Slotted Set Screw.....	M8x10	2
14.....	TS-1503081	Hex Socket Cap Screw.....	M6x35	4
15.....	TS-1524041	Hex Socket Set Screw.....	M8x16	1
16.....	GH1440A19101E	Switch Box		1
17.....	SQ4E	Stroke Switch	LXW5-11Q1.....	1
18.....	ZX-S18E	Slotted Pan Head Screw	M4x25	2
19.....	ZX-19702E	Shaft		1
20.....	ZX-19502E	Gasket		1
21.....	C6266CCGA21-M8	Nut.....	M8	1

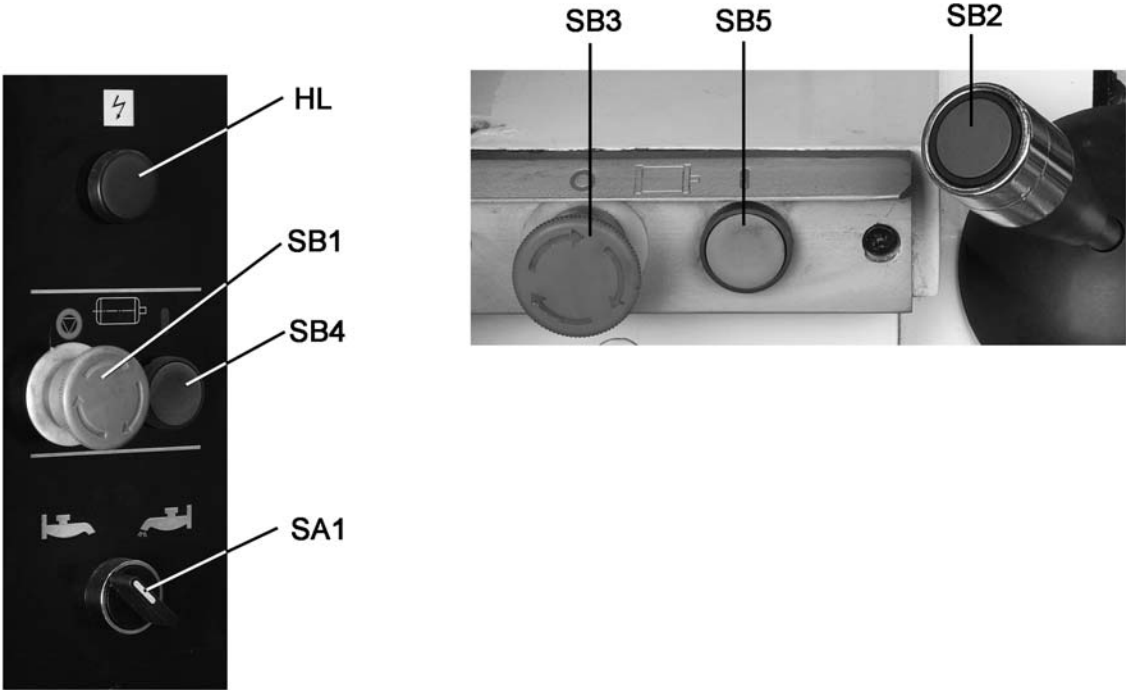
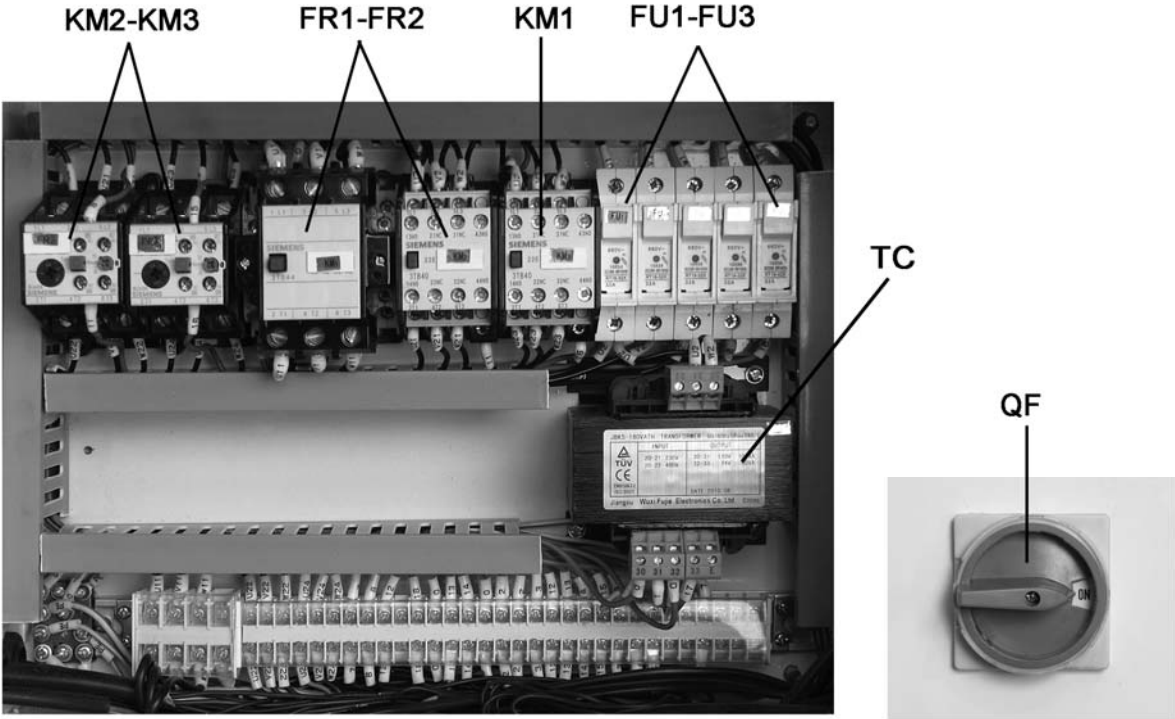
(Note: This device is installed from serial #111105ZH0006)

29.0 Toolbox, Accessories, and Attachments

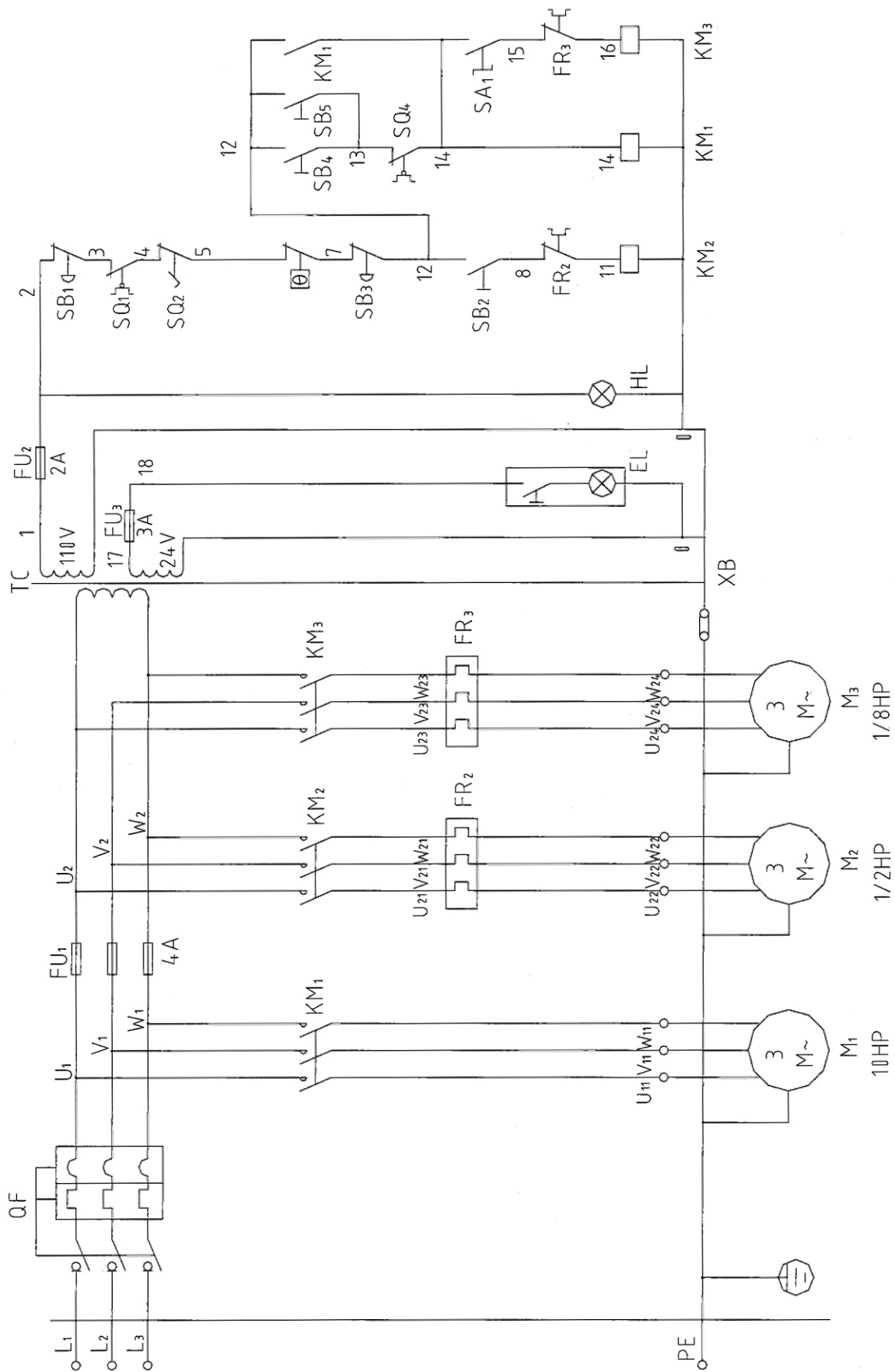


Index No.	Part No.	Description	Size	Qty
1	ZH-2501	3-Jaw Scroll Chuck	13", D1-8	1
2	ZH-2502	Drive Plate		1
3	RNS-170/210	Round Nut Spanner	170-210	1
4	ZH-2504	4-Jaw Independent Chuck	16", D1-8	1
5	ZH-2505	Face Plate	24-25/32"	1
6	C6266C08716	Gear (in.)	2m69T	1
7	C6266C08717-63	Gear (in.)	2m63T	1
8	C6266C08717-90	Gear (in.)	2m90T	1
9	C6266C08717-78	Gear (in.)	2m78T	1
10	ZX-OP-08	Morse Reduction Sleeve *	113mm 1:20/MT5	1
11	ZX-OP-07N	Live Center *	MT5	1
12	ZX-OP-06	Dead Center *	MT5	1
13	ZH-2513	Drive Pin		2
14	ZX-OP-05	Cam Wrench *		1
15	ZX-OP-1B	Chuck Wrench *		1
16	ZX-OP-04	Tool Post Wrench *		1
17	ZH-2517	Gap Bridge Pin Driver *		1
18	ZH-2518	Drift Key *		1
19	RNS-45/52	Round Nut Spanner *	45-52	1
20		Hex Key Set *	6,8,10,12 mm	1
21	ZH-2521	Leveling Bolt (ZH-2680) *	M20x80	6
	ZH-2521	Leveling Bolt (ZH-26120)	M20x80	8
22	ZH-2522	Hex Nut (ZH-2680) *	M20	6
	ZH-2522	Hex Nut (ZH-26120)	M20	8
23	ZX-01715	Leveling Pad (ZH-2680) *		6
	ZX-01715	Leveling Pad (ZH-26120)		8
24	ZX-OP-14	Flat Blade Screw Driver *		1
25	ZX-OP-15	Cross Point Screw Driver *		1
26		Open End Wrench Set *	17-19, 19-22 mm	1
27	ZX-OP-10	Touchup Paint Can (JET White) *		1
28	ZX-OP-09	Oil Gun *		1
29	(see section 30.2)	Set of Fuses	4A/3A/2A	1
30	ZH-TBC	Tool Box Complete, ZH Lathes (includes items with asterisk *)		

30.0 Electrical Components



30.1 Electrical Diagram



30.2 Electrical Components – Parts List

Index No.	Part No.	Description	Model	Size	Qty
M1	*	Main Motor	Y132M-4TH/B3	10HP, 3PH, 230/460V	1
M2	*	Coolant Pump	AB-12TH	1/8HP, 3PH, 230/460V	1
M3	*	Rapid Feed Motor	YSS5634	1/2HP, 3PH, 230/460V	1
QF	ZH-QF	Automatic Switch	JFD11	40A, 3P	1
TC	ZH-TC	Control Transformer	JBK5-160TH	110V, 230/460V, 24V	1
FR1	ZH-FR1	Thermal Relay	3UA59	0.25-0.4A	1
FR2	ZH-FR2	Thermal Relay	3UA59	1.6-2.5A	1
KM1	ZX-KM3	A.C. Contactor	3TB43	Coil Voltage 110V, 22A	1
KM2, KM3	ZX-KM2	A.C. Contactor	3TB40	Coil Voltage 110V, 9A	2
		Blow Fuse	RT18-32X		5
FU1	ZH-FU1	Fuse	RT14	4A	3
FU2	ZH-FU2	Fuse	RT14	2A	1
FU3	ZH-FU3	Fuse	RT14	3A	1
θ	ZH-TR	Temperature Relay	JW6-125°C	Working Temp. 125°C	1
SQ1	ZH-SQ1	Door Switch	QKS8		1
SQ2	ZH-SQ2	Limit Switch	JW2-11H/W1		1
SQ4	ZH-SQ4	Micro Switch	LXW5-11Q1		1
SB1, SB3	ZH-SB1	Button	ZB2-BS54C	Red	2
SB2	ZH-SB2	Button	XB2BD53C	Green	1
SB4, SB5	ZH-SB4	Button	XB2-EA131	Green	2
SA1	ZH-SA1	Turning Switch	ZB2-BD2C	Black	1
EL	ZH-EL	Work Lamp	JC52		1
		Bulb		24V, 50W	1
HL	ZH-HL	Indicator Light	XB2EV163	110V, Green	1

* See related parts lists for part numbers.

31.0 Ordering Replacement Parts

To order parts or reach our service department, call 1-800-274-6848, Monday through Friday (see our website for business hours, www.waltermeier.com). Having the Model Number and Serial Number of your machine available when you call will allow us to serve you quickly and accurately.