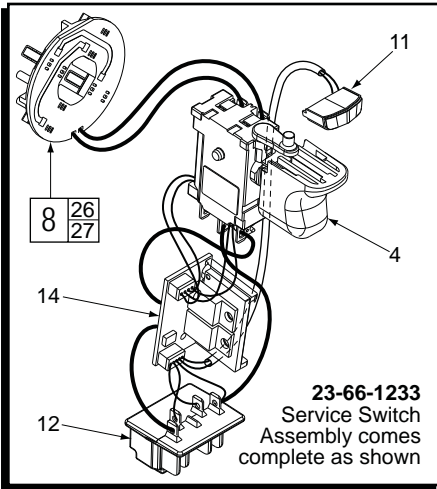




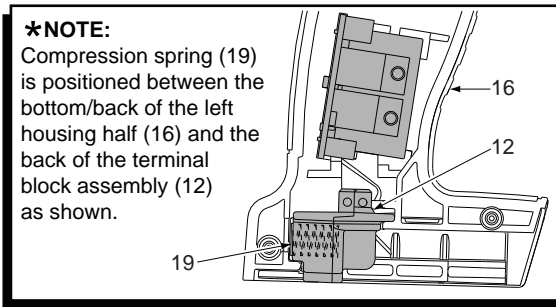
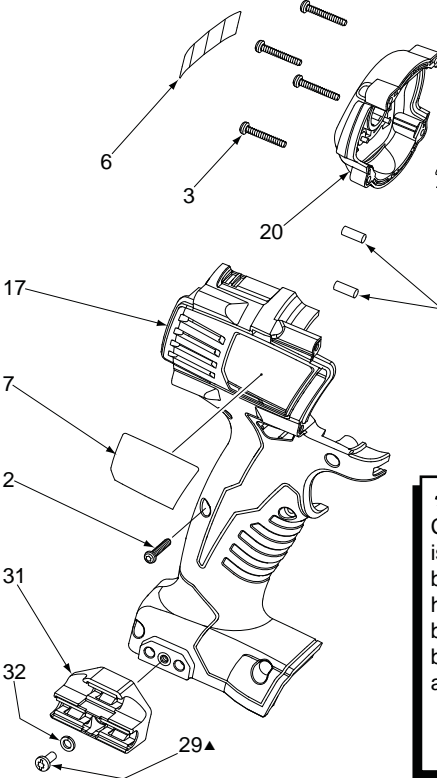
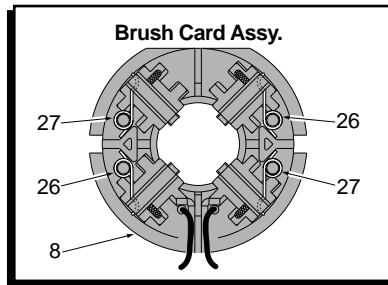
SERVICE PARTS LIST

BULLETIN NO.
55-06-2610

SPECIFY CATALOG NO. AND SERIAL NO. WHEN ORDERING PARTS		REVISED BULLETIN	DATE
1/2" Compact Driver Drill			Nov. 2011
CATALOG NO.	2601-059	STARTING SERIAL NO.	D36A
		WIRING INSTRUCTION See Page 3	



EXAMPLE:
Component Parts (Small #)
Are Included When Ordering
The Assembly (Large #).



***NOTE:**
Compression spring (19)
is positioned between the
bottom/back of the left
housing half (16) and the
back of the terminal
block assembly (12)
as shown.

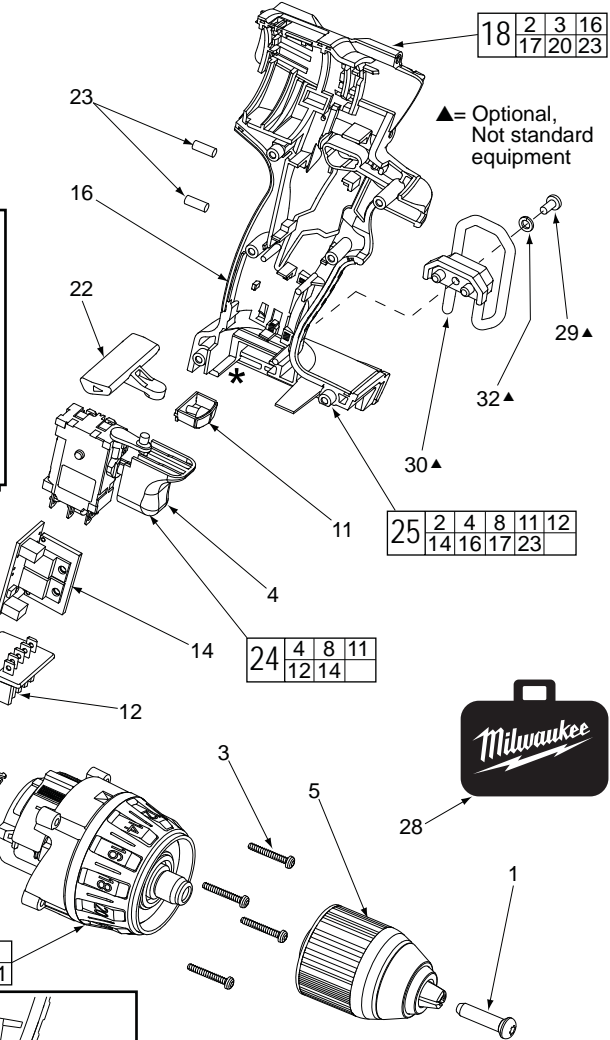
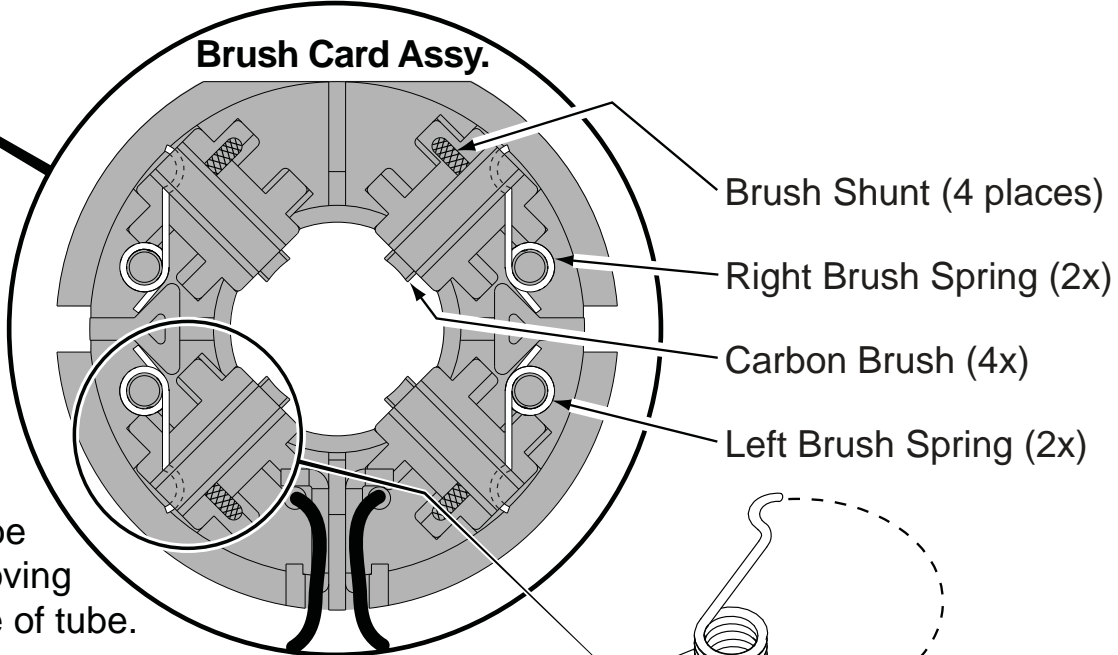
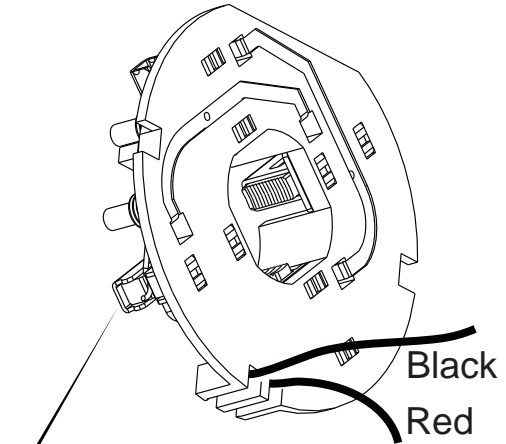


FIG.	PART NO.	DESCRIPTION OF PART	NO. REQ.
1	05-88-1500	M6 x 1 LH Chuck Screw	(1)
2	06-82-7236	#4-20 x .625 Pan Hd. Plast. T-10 Screw	(6)
3	06-82-7336	#4-20 x .750 Pan Hd. Plast. T-10 Screw	(8)
4	-----	Switch	(1)
5	42-66-0900	Keyless Chuck Assembly	(1)
6	10-20-2696	Warning Label	(1)
7	-----	Service Nameplate	(1)
8	22-22-1550	Brush Card Assembly	(1)
9	18-01-3020	Service Field	(1)
10	16-01-3000	Service Armature Assembly	(1)
11	-----	LED Assembly	(1)
12	-----	Terminal Block Assembly	(1)
14	-----	PCB Assembly	(1)
15	28-14-0662	Gearcase Assembly	(1)
16	-----	Handle Halve-Left	(1)
17	-----	Handle Halve-Right	(1)
18	31-44-2600	Handle Halve Set	(1)
19	40-50-1090	Compression Spring	(1)

FIG.	PART NO.	DESCRIPTION OF PART	NO. REQ.
20	42-52-0295	Housing End Cap	(1)
21	-----	Motor Mount	(1)
22	45-24-0910	Forward/Reverse Shuttle	(1)
23	45-30-0255	Rubber Slug	(4)
24	23-66-1233	Switch Assembly	(1)
25	23-66-1232	Switch and Handle Halve Assembly	(1)
26	40-50-2170	Brush Spring - Right Handed	(2)
27	40-50-2175	Brush Spring - Left Handed	(2)
28	48-55-0960	Accessory Carrying Case	(1)
29	06-82-5275	6-32 x 5/16" Pan Hd. T-15 Screw, <i>Optional</i>	(2)
30	42-70-5150	Belt Hook, <i>Optional</i>	(1)
31	43-72-0550	Bit Holder, <i>Optional</i>	(1)
32	45-88-1935	Washer, <i>Optional</i>	(2)

INSTALLING BRUSH SPRINGS ON A BRUSH CARD ASSEMBLY WITH FOUR (4) BRUSHES

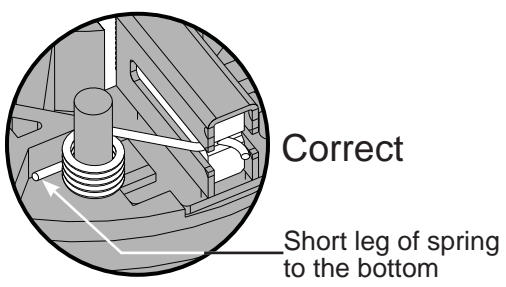
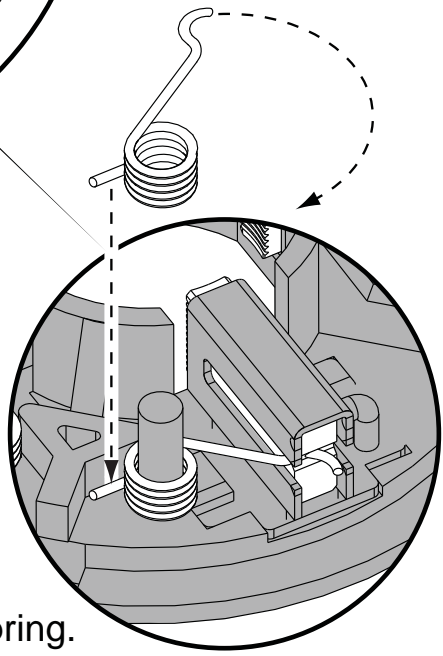
There are two 40-50-2170 RH Brush Springs and two 40-50-2175 LH Brush Springs. Follow the instructions below for proper installation.

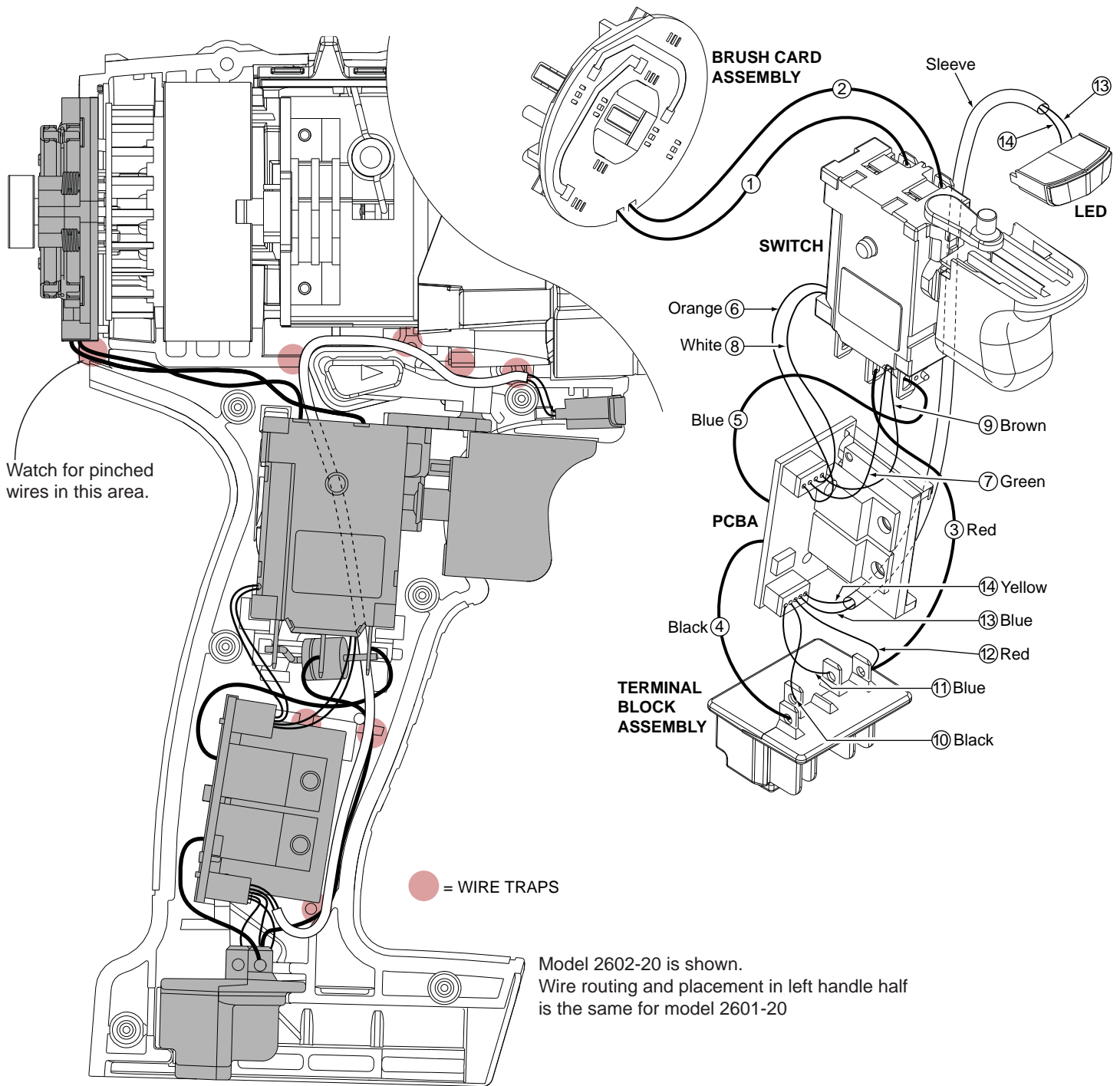


Be sure carbon brush is in brush tube with brush shunt moving freely in side groove of tube.

Place brush spring over post with short leg positioned downward as shown. Be sure spring is completely down with short leg trapped against 'Y' shaped wall on brush card.

While holding spring in place, bring the long leg of spring over the brush tube and through rear opening of tube. Position rounded hook of spring in groove on back of carbon brush. Be sure to check for free movement between carbon brush, brush shunt and brush spring.





WIRING SPECIFICATIONS

Wire No.	Wire Color	Origin or Gauge	Length	Terminals, Connectors and 1 or 2 End Wire Preparation
1	Black	-----	-----	Component of Brush Card Assy. Connect to M2 on Switch.
2	Red	-----	-----	Component of Brush Card Assy. Connect to M1 on Switch.
3	Red	-----	-----	Component of Switch/Brush Card/Terminal Block Assembly.
4	Black	-----	-----	Component of Switch/Brush Card/Terminal Block Assembly.
5	Blue	-----	-----	Component of Switch/Brush Card/Terminal Block Assembly.
6	Orange	-----	-----	Component of Switch/Brush Card/Terminal Block Assembly.
7	Green	-----	-----	Component of Switch/Brush Card/Terminal Block Assembly.
8	White	-----	-----	Component of Switch/Brush Card/Terminal Block Assembly.
9	Brown	-----	-----	Component of Switch/Brush Card/Terminal Block Assembly.
10	Black	-----	-----	Component of Switch/Brush Card/Terminal Block Assembly.
11	Blue	-----	-----	Component of Switch/Brush Card/Terminal Block Assembly.
12	Red	-----	-----	Component of Switch/Brush Card/Terminal Block Assembly.
13	Blue	-----	-----	Component of Switch/Brush Card/Terminal Block Assy. (LED)
14	Yellow	-----	-----	Component of Switch/Brush Card/Terminal Block Assy. (LED)