

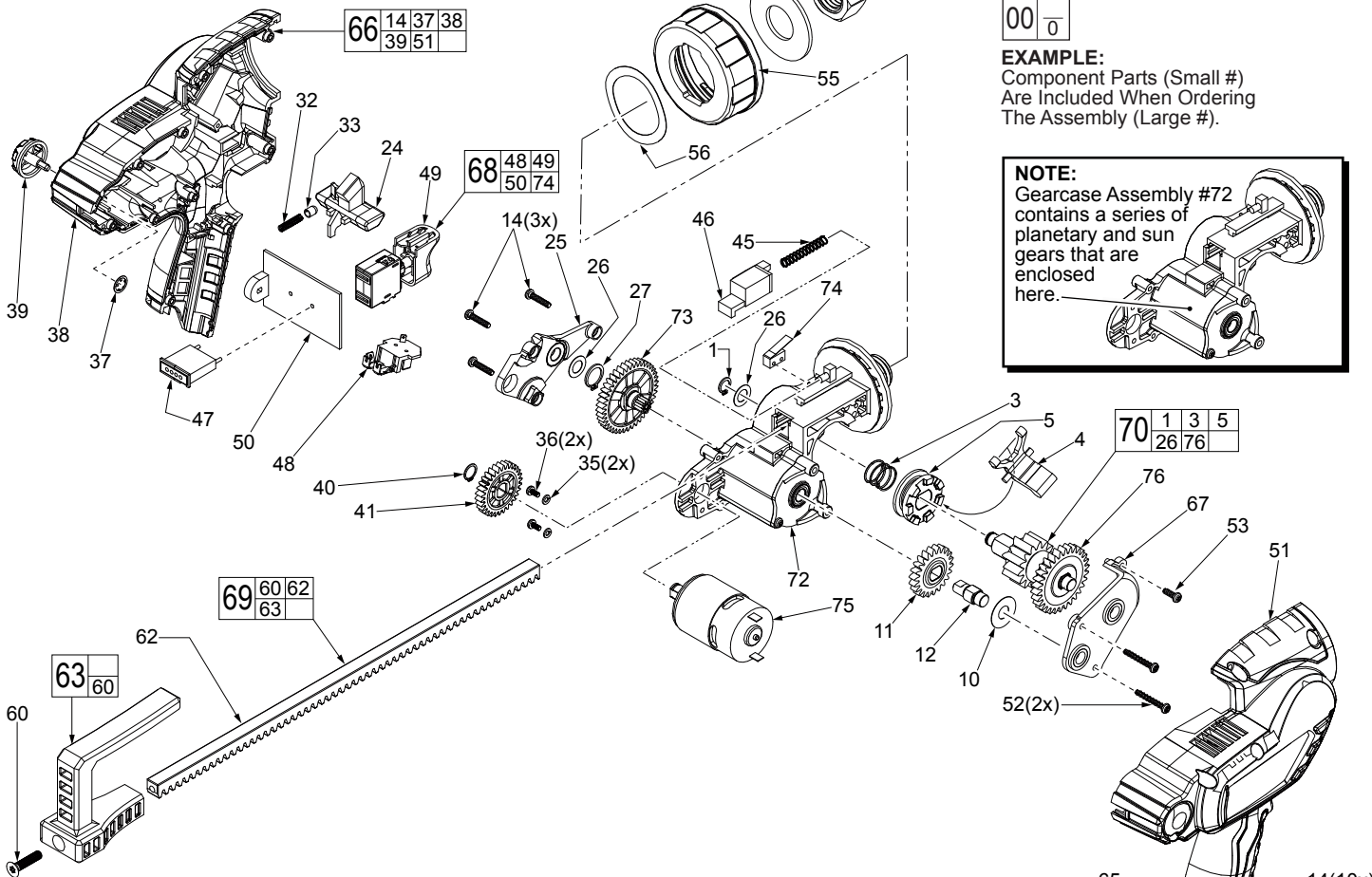


SERVICE PARTS LIST

BULLETIN NO.
55-06-2460

SPECIFY CATALOG NO. AND SERIAL NO. WHEN ORDERING PARTS		REVISED BULLETIN	DATE
M12 CORDLESS CAULK and ADHESIVE GUN			July 2013
CATALOG NO.	2441-059	SERIAL NUMBER	E60A
			WIRING INSTRUCTION SEE PAGE 4

FIG.	PART NO.	DESCRIPTION OF PART	NO. REQ.
1	34-80-0020	Retaining Ring	(1)
3	40-50-6420	Return Spring	(1)
4	45-98-0275	Clutch Yoke	(1)
5	-----	Slide Clutch	(1)
10	45-88-1940	Washer	(1)
11	32-40-2395	Input Gear	(1)
12	36-18-0610	Input Shaft	(1)
14	06-82-2025	M3.5 x 15 Pan Hd. Plastite T-10 Screw	(13)
24	45-24-0920	Shuttle Lock	(1)
25	28-20-2540	Left Cover	(1)
26	45-88-1945	Washer	(2)
27	34-80-0270	Retaining Ring	(1)
32	40-50-1475	Detent Spring	(1)
33	43-72-0430	Detent	(1)



35	45-88-1980	Spring Washer	(2)
36	05-81-0205	M3 x 6 Pan Hd. Phillips Screw	(2)
37	42-70-1125	Clip	(1)
38	-----	Housing-Left	(1)
39	43-98-0570	Speed Dial	(1)
40	34-80-1120	Retaining Ring	(1)
41	32-40-0800	Input Gear	(1)
45	40-50-1635	Spring	(1)
46	23-38-0625	EOT Actuator	(1)
47	31-01-1725	Light Pipe with fuel gauge label	(1)
48	-----	Battery Contact Plate Assembly	(1)
49	-----	Switch	(1)
50	-----	PCB Assembly	(1)
51	-----	Housing-Right	(1)
52	05-88-0985	M3.5 x 26 Pan Hd. Phillips Screw	(2)
53	05-88-1610	M3.5 x 10 Pan Hd. T-10 Screw	(1)
55	42-52-0440	Cartridge Mounting Cap	(1)
56	45-88-2640	Wave Washer	(1)
57	45-88-1495	Flat Washer	(1)
58	06-55-0900	Hex Nut	(1)
59	44-70-0330	Plunger	(1)
60	45-04-2015	M5 x .8 Flat Hd. Phillips Screw	(2)
61	31-01-1910	10 Oz. Cartridge Holder	(1)

FIG.	PART NO.	DESCRIPTION OF PART	NO. REQ.
62	44-94-0490	10 Oz. Rack	(1)
63	31-44-3170	Rack Handle	(1)
65	42-70-0055	Housing Clip	(1)
66	31-44-3175	Handle Assembly	(1)
67	28-20-0310	Right Cover Assembly	(1)
68	23-66-3135	Switch Assembly	(1)
69	44-94-0495	10 Oz. Rod Assembly	(1)
70	14-08-0240	Clutch Gear Assembly	(1)
72	14-30-0400	Gearcase Assembly	(1)
73	14-29-0725	Output Gear Assembly	(1)
74	-----	EOT Switch	(1)
75	23-30-0950	Motor Assembly with Drive Hub	(1)
76	-----	Output Gear Assembly	(1)
77	-----	Service Nameplate	(1)
78	10-20-3672	Warning Label	(1)

MILWAUKEE ELECTRIC TOOL CORPORATION
13135 W. LISBON RD., BROOKFIELD, WI 53005
Drwg. 2

NOTE: Clutch Yoke #4 is to be the first clutch component installed and the last component removed from the gearcase assembly.

Install side pins of clutch yoke #4 into the pivot sockets of the gearcase.

Insert slide clutch #5 onto clutch yoke with raised driving lugs of the slide clutch oriented as shown. Lugs are to face clutch gear assembly #70.

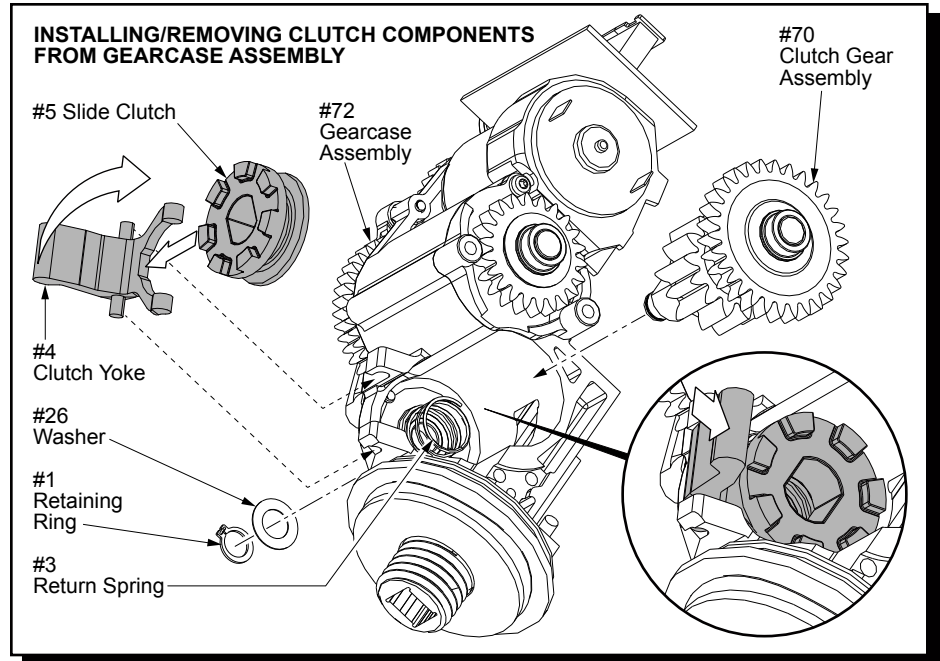
Place the return spring #3 into the recessed pocket of the gearcase.

While holding slide clutch in place on the clutch yoke, gently pivot the two parts into the clutch/gear cavity of gearcase. **NOTE:** the slide clutch may have to be slightly lifted out of place on the yoke during the pivoting process to avoid any interference with the cavity walls.

Be sure return spring is still in place in the recess pocket of gearcase when the clutch yoke and slide clutch are completely pivoted in place.

Press clutch yoke lever to assure proper operation in pocket. If spring comes out of recess, start over.

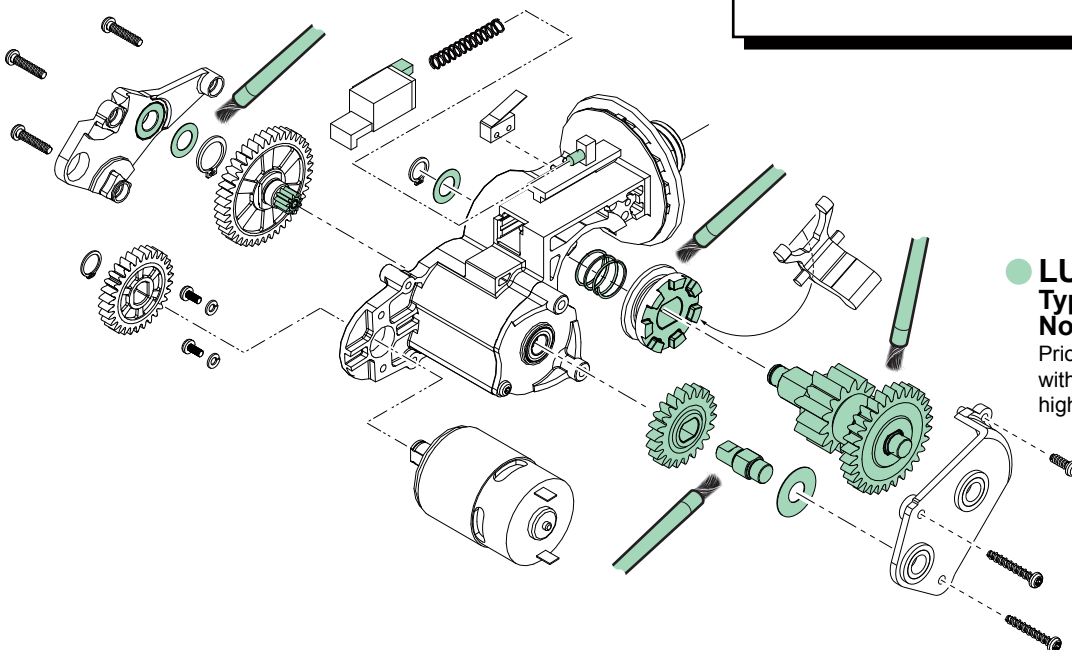
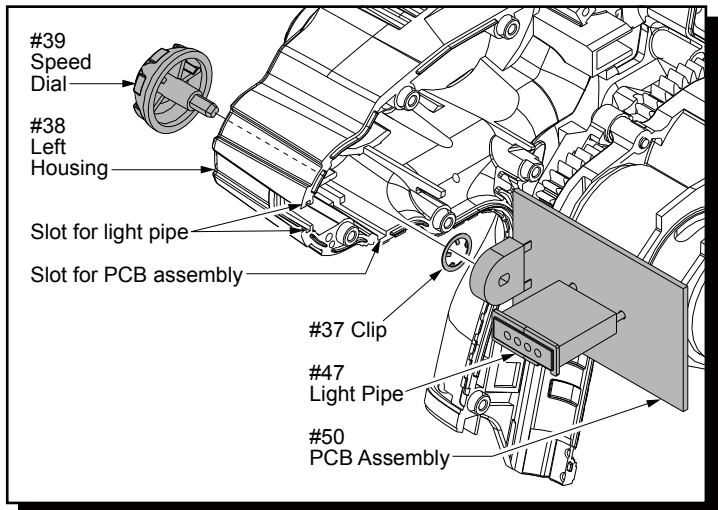
Hold the lever of the clutch yoke completely down to draw in the return spring and slide clutch. Place shaft of the clutch gear assembly #70 through the holes in the slide clutch and gearcase assembly. Secure the clutch gear assembly with washer #26 and retaining ring #1.



Insert speed dial #39 into hole at rear of left housing halve #38. Secure dial with clip #37. Set dial to the '1' position at the arrow in the housing. Speed dial will turn in a counterclockwise direction.

Align board edges of PCB assembly #50 and the face plate edges of the light pipe #47 with the slots in the housing halve.

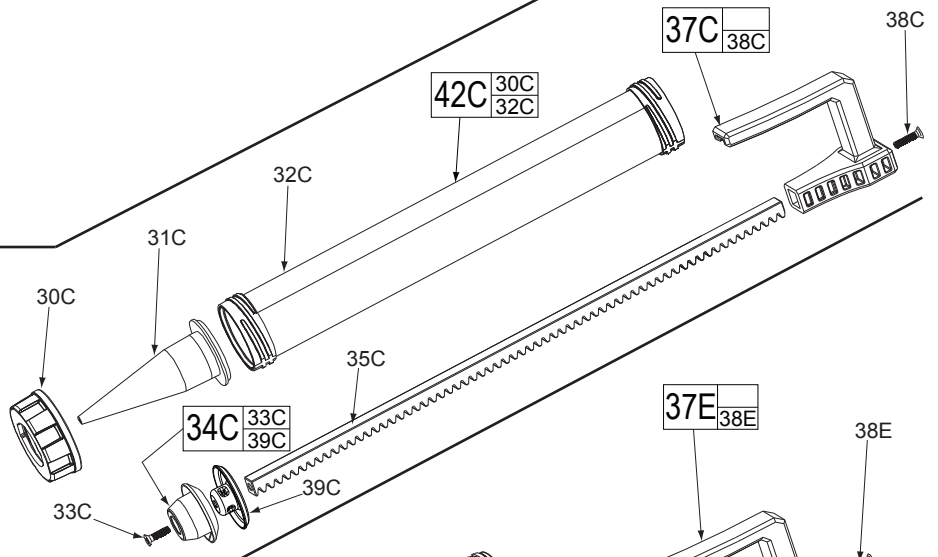
Carefully insert the PCB assembly and light pipe into the slots. Route the blue and black wires from the PCBA (for the EOT switch #74) into the wire trap of handle halve above motor. Align the double flats of the speed dial with the double flats in the hole of the potentiometer. Gently apply pressure to engage shaft of speed dial in hole of potentiometer. Press and fully seat PCBA and light pipe in the handle halve.



LUBRICATION NOTES:
Type 'P' Grease
No. 49-08-4250, 1.5 oz. / 42g tube
 Prior to reinstalling, clean gear assemblies with a clean, dry cloth. Lightly coat all parts highlighted here with 'P' grease.

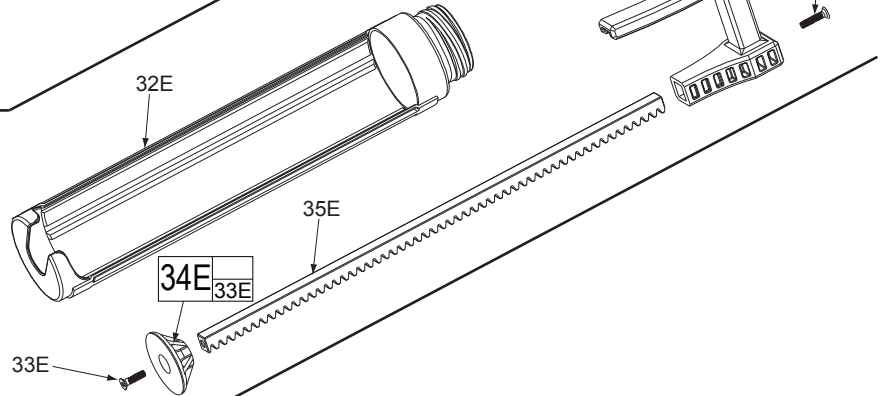
20 Oz. ALUMINUM SAUSAGE CARTRIDGE KIT
Cat. No. 48-08-0905

Fig.	Part No.	Description of Part
30C	42-52-0440	Cartridge Cap
31C	31-12-0700	Nozzle - Black
32C	-----	20 oz. Aluminum Barrel
33C	45-04-2015	Plunger Screw
34C	44-70-0375	Sausage Plunger
35C	44-94-0480	Plunger Rod
37C	31-44-3170	Plunger Handle
38C	45-04-2050	Handle Screw
39C	-----	Plunger Back Plate
42C	45-76-0900	20 oz. Aluminum Barrel Assembly



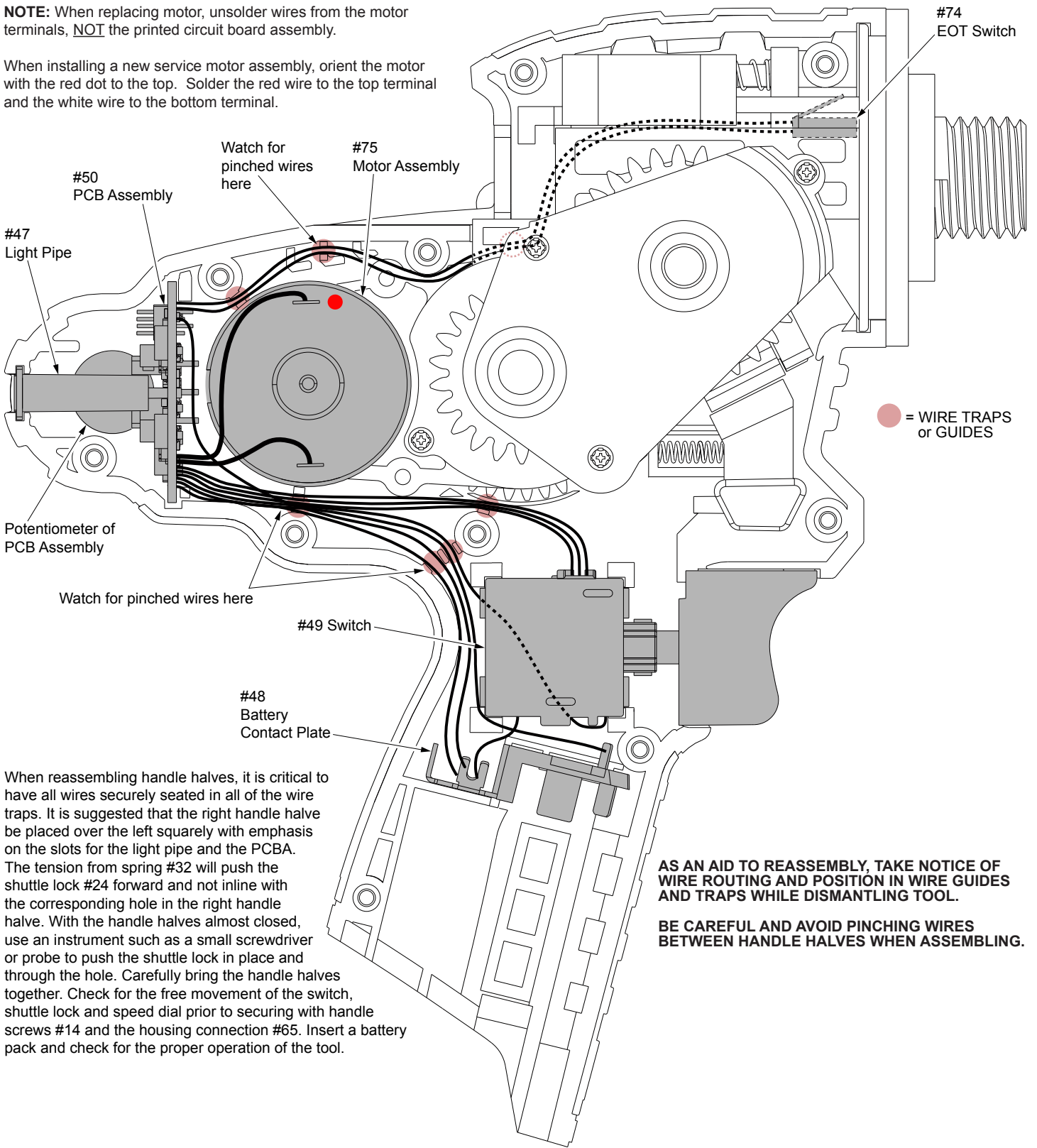
QUART CARTRIDGE KIT
Cat. No. 48-08-0910

Fig.	Part No.	Description of Part
32E	31-01-1810	Quart Cartridge Carriage
33E	45-04-2015	Plunger Screw
34E	44-70-0340	Quart Plunger
35E	44-94-0485	Quart Plunger Rod
37E	31-44-3170	Plunger Handle
38E	45-04-2050	Handle Screw



NOTE: When replacing motor, unsolder wires from the motor terminals, NOT the printed circuit board assembly.

When installing a new service motor assembly, orient the motor with the red dot to the top. Solder the red wire to the top terminal and the white wire to the bottom terminal.



When reassembling handle halves, it is critical to have all wires securely seated in all of the wire traps. It is suggested that the right handle half be placed over the left squarely with emphasis on the slots for the light pipe and the PCBA. The tension from spring #32 will push the shuttle lock #24 forward and not inline with the corresponding hole in the right handle half. With the handle halves almost closed, use an instrument such as a small screwdriver or probe to push the shuttle lock in place and through the hole. Carefully bring the handle halves together. Check for the free movement of the switch, shuttle lock and speed dial prior to securing with handle screws #14 and the housing connection #65. Insert a battery pack and check for the proper operation of the tool.

AS AN AID TO REASSEMBLY, TAKE NOTICE OF WIRE ROUTING AND POSITION IN WIRE GUIDES AND TRAPS WHILE DISMANTLING TOOL.

BE CAREFUL AND AVOID PINCHING WIRES BETWEEN HANDLE HALVES WHEN ASSEMBLING.