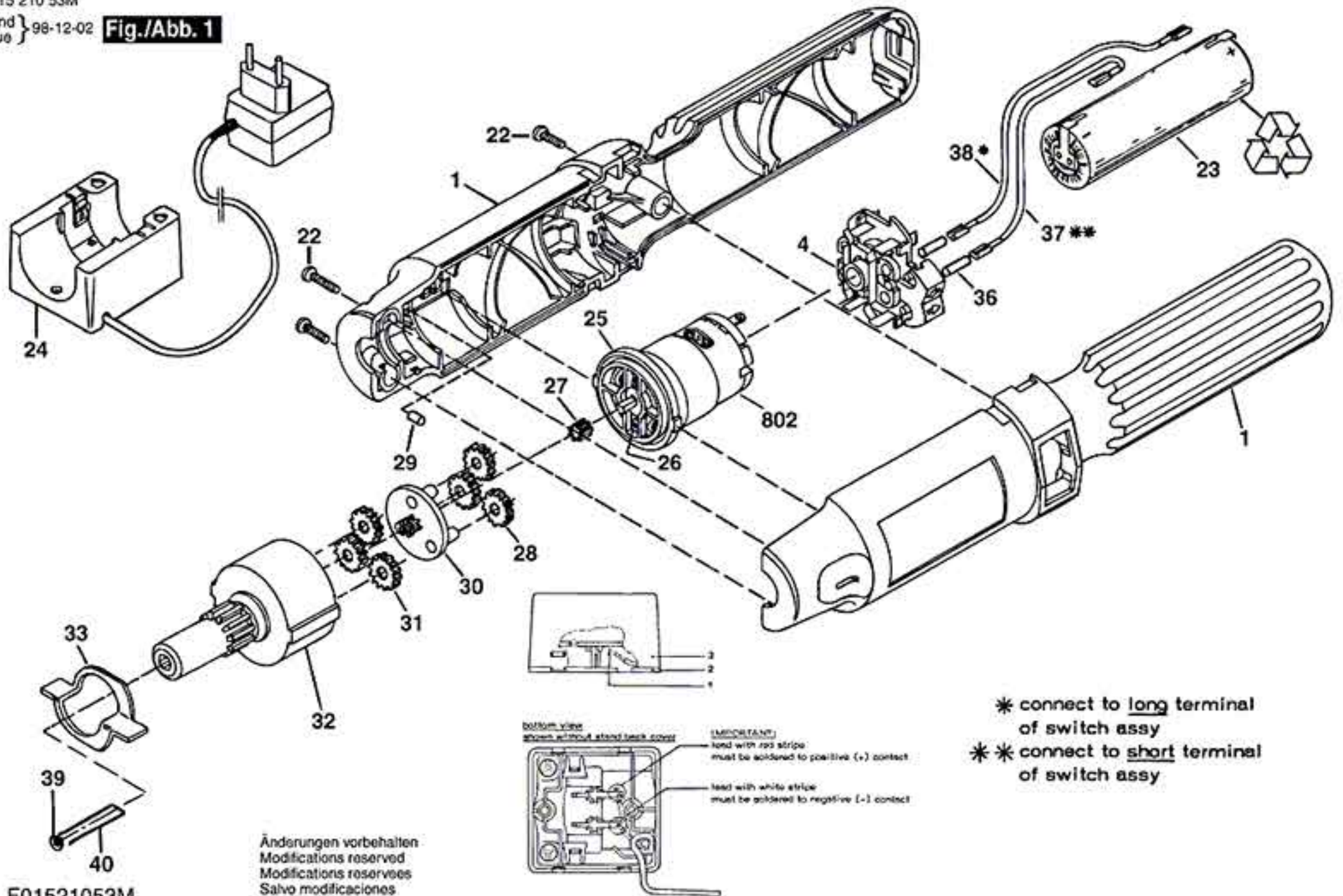


F 015 210 53M

Stand } 98-12-02 **Fig./Abb. 1**



* connect to long terminal of switch assy
** connect to short terminal of switch assy

Änderungen vorbehalten
Modifications reserved
Modificaciones reservadas
Salvo modificaciones

F01521053M