



Model no.:	Stock no.:
Serial no.:	
Purchased from:	
Date purchased:	Date in service:

## Operating Instructions and Parts Manual “PTJ” Series Pallet Trucks



**WALTER MEIER (Manufacturing) Inc.**

427 New Sanford Road  
LaVergne, Tennessee 37086  
Ph.: 800-274-6848  
[www.waltermeier.com](http://www.waltermeier.com)

**Part No. M-151003**

Revision A1 03/2012

Copyright © 2012 Walter Meier (Manufacturing) Inc.

# 1.0 Warranty and Service

Walter Meier (Manufacturing) Inc., warrants every product it sells. If one of our tools needs service or repair, one of our Authorized Service Centers located throughout the United States can give you quick service. In most cases, any of these Walter Meier Authorized Service Centers can authorize warranty repair, assist you in obtaining parts, or perform routine maintenance and major repair on your JET® tools. For the name of an Authorized Service Center in your area call 1-800-274-6848.

## MORE INFORMATION

Walter Meier is consistently adding new products to the line. For complete, up-to-date product information, check with your local Walter Meier distributor, or visit [waltermeier.com](http://waltermeier.com).

## WARRANTY

JET products carry a limited warranty which varies in duration based upon the product (MW = Metalworking, WW = Woodworking).

<b>90</b> DAY WARRANTY	<b>1</b> YEAR WARRANTY	Body Repair Kits Bottle Jacks Cable Pullers Cold Saws Hoists-Air Hoists-Electric Metal forming Mill/Drills Milling Machines MW Bandsaws MW Drill Presses MW Finishing Equipment MW Lathes MW Precision Vises	<b>2</b> YEAR WARRANTY	Palet Trucks Rigging Equip. Service Jacks Stackers MW Surface Grinders Tapping Trolleys-Air Trolleys-Electric Web Slings Winches-Electric	<b>3</b> YEAR WARRANTY	WW Benchtop Tools	<b>5</b> YEAR WARRANTY	Beam Clamps Chain Hoist-Manual Lever Hoists Pullers-JCH Models Scissor Lift Tables Screw Jacks Trolleys-Geared Trolleys-Plain Winches-Manual WW Air Filtration WW Bandsaws WW Buffers	<b>5</b> YEAR WARRANTY	WW Drill Presses WW Dust Collectors WW Dust Filters WW Dust Fittings WW Jointers WW Lathes WW Planers WW Sanders WW Shapers WW Tablesaws	<b>LIFE</b> LIFETIME WARRANTY	Fastening Tools Mechanics Hand Tools Striking Tools Vises (no -precision) Clamps
<i>Warranty reverts to 1 Year Warranty if woodworking (WW) products listed above are used for industrial or educational purposes.</i>												

## WHAT IS COVERED?

This warranty covers any defects in workmanship or materials subject to the exceptions stated below. Cutting tools, abrasives and other consumables are excluded from warranty coverage.

## WHO IS COVERED?

This warranty covers only the initial purchaser of the product.

## WHAT IS THE PERIOD OF COVERAGE?

The general JET warranty lasts for the time period specified in the product literature of each product.

## WHAT IS NOT COVERED?

Five Year Warranties do not cover woodworking (WW) products used for commercial, industrial or educational purposes. Woodworking products with Five Year Warranties that are used for commercial, industrial or education purposes revert to a One Year Warranty. This warranty does not cover defects due directly or indirectly to misuse, abuse, negligence or accidents, normal wear-and-tear, improper repair or alterations, or lack of maintenance.

## HOW TO GET SERVICE

The product or part must be returned for examination, postage prepaid, to a location designated by us. For the name of the location nearest you, please call 1-800-274-6848.

You must provide proof of initial purchase date and an explanation of the complaint must accompany the merchandise. If our inspection discloses a defect, we will repair or replace the product, or refund the purchase price, at our option. We will return the repaired product or replacement at our expense unless it is determined by us that there is no defect, or that the defect resulted from causes not within the scope of our warranty in which case we will, at your direction, dispose of or return the product. In the event you choose to have the product returned, you will be responsible for the shipping and handling costs of the return.

## HOW STATE LAW APPLIES

This warranty gives you specific legal rights; you may also have other rights which vary from state to state.

## LIMITATIONS ON THIS WARRANTY

WALTER MEIER (MANUFACTURING) INC., LIMITS ALL IMPLIED WARRANTIES TO THE PERIOD OF THE LIMITED WARRANTY FOR EACH PRODUCT. EXCEPT AS STATED HEREIN, ANY IMPLIED WARRANTIES OR MERCHANTABILITY AND FITNESS ARE EXCLUDED. SOME STATES DO NOT ALLOW LIMITATIONS ON HOW LONG THE IMPLIED WARRANTY LASTS, SO THE ABOVE LIMITATION MAY NOT APPLY TO YOU.

WALTER MEIER SHALL IN NO EVENT BE LIABLE FOR DEATH, INJURIES TO PERSONS OR PROPERTY, OR FOR INCIDENTAL, CONTINGENT, SPECIAL, OR CONSEQUENTIAL DAMAGES ARISING FROM THE USE OF OUR PRODUCTS. SOME STATES DO NOT ALLOW THE EXCLUSION OR LIMITATION OF INCIDENTAL OR CONSEQUENTIAL DAMAGES, SO THE ABOVE LIMITATION OR EXCLUSION MAY NOT APPLY TO YOU.

Walter Meier sells through distributors only. The specifications in Walter Meier catalogs are given as general information and are not binding. Members of Walter Meier reserve the right to effect at any time, without prior notice, those alterations to parts, fittings, and accessory equipment which they may deem necessary for any reason whatsoever. JET® branded products are not sold in Canada by Walter Meier.

## 2.0 Table of contents

Section	Page
1.0 Warranty and Service .....	2
2.0 Table of contents .....	3
3.0 Safety warnings .....	3
4.0 Introduction.....	4
5.0 Specifications .....	4
6.0 Setup and assembly .....	5
7.0 Operations.....	5
7.1 Lifting Load.....	6
7.2 Moving Load .....	6
7.3 Lowering Load.....	6
7.4 Up-Down Cam Adjustment .....	6
8.0 Maintenance.....	6
8.1 Cleaning Release Valve .....	6
8.2 Lubrication .....	6
8.3 Piston Seal/O-Ring Replacement .....	7
9.0 Troubleshooting the PTJ Series Pallet Trucks .....	8
10.0 Replacement Parts .....	8
10.1.1 PTJ-Series Pallet Trucks – Exploded View .....	9
10.1.2 PTJ-Series Pallet Trucks – Parts List.....	10



## 3.0 Safety warnings

1. Read and understand the entire owner's manual before attempting assembly or operation of the pallet truck.
2. Read and understand the warnings on the pallet truck and in this manual. Failure to comply with all of these warnings may cause serious injury.
3. Replace the warning labels if they become obscured or removed.
4. Do not use this pallet truck for other than its intended use. If used for other purposes, Walter Meier (Manufacturing) Inc., disclaims any real or implied warranty and holds itself harmless from any injury that may result from that use.
5. Do not place hands or feet under the pallet truck at any time.
6. Do not operate a loaded pallet truck on ramps or inclines.
7. Do not tip load pallet truck forks. This may cause damage to the forks and personal injury if the rear of the pallet truck suddenly pops up.
8. Never leave a loaded pallet truck unattended in the raised position. Always lower load to the floor.
9. Do not load pallet truck beyond its rated capacity of 5,000 lbs.
10. Secure load before transporting.
11. To prevent accidental tipping, make sure load is centered on the forks.
12. Do not move a loaded pallet truck by other than manual force.

## 4.0 Introduction

Congratulations on your purchase of a JET Pallet Truck.

To better understand the proper use and safe operation of this pallet truck, please take a few minutes to carefully read and follow the instructions contained in this manual. When finished reading and understanding the manual, please file in a safe and convenient location for the life of the pallet truck. If the pallet truck transfers ownership, the manual should accompany it.

This pallet truck is designed to push and pull palletized material loads up to 5,000 pounds only.

You will notice several important features about your JET Pallet Truck. For example, its 2-1/2" lowered height and tapered fork tips allow easy entry into pallets. The heavy-gauge steel frame is reinforced with cross-welded steel plates to prevent forks from bending and solid steel push rods are used for added strength. The pump features top-of-the-stroke and overload by-pass valve systems. A durable powder coat finish provides long lasting steel protection. Extra wide polyurethane covered steel steer wheels and nylon load wheels feature lifetime lubricated, double sealed bearings to provide smooth, quiet rolling and added stability.

If there are questions or comments, please contact your local supplier or Walter Meier. Walter Meier can also be reached at our web site: [www.waltermeier.com](http://www.waltermeier.com).

## 5.0 Specifications

Model #	Stock #	W1	W2	L1	L2	H1	H2	A (dxw)	B (dxw)	C	Net Wt. (lb.)
PT-1636J	151003	16"	6"	36"	51"	6-1/4"	2-1/2"	6-1/4"x2-3/4"	2-1/2"x3-3/4"	45-1/8"	135
PT-2036J	151004	20-1/2"	6"	36"	51"	6-1/4"	2-1/2"	6-1/4"x2-3/4"	2-1/2"x3-3/4"	45-1/8"	150
PT-2042J	151005	20-1/2"	6"	42"	57"	6-1/4"	2-1/2"	6-1/4"x2-3/4"	2-1/2"x3-3/4"	45-1/8"	161
PT-2048J	151006	20-1/2"	6"	48"	63"	6-1/4"	2-1/2"	6-1/4"x2-3/4"	2-1/2"x3-3/4"	45-1/8"	172
PT-2742J	151008	27"	6"	42"	57"	6-1/4"	2-1/2"	6-1/4"x2-3/4"	2-1/2"x3-3/4"	45-1/8"	185
PT-2748J	151009	27"	6"	48"	63"	6-1/4"	2-1/2"	6-1/4"x2-3/4"	2-1/2"x3-3/4"	45-1/8"	196

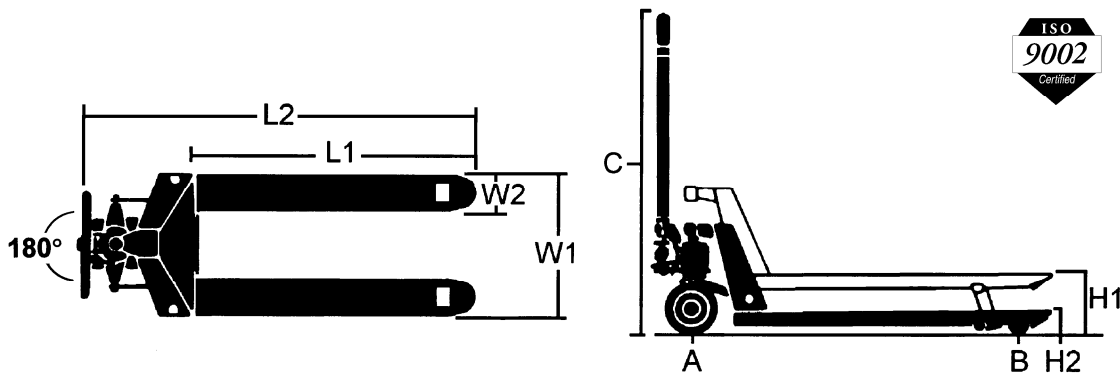


Figure 1

*The specifications in this manual were current at time of publication, but because of our policy of continuous improvement, Walter Meier (Manufacturing) Inc., reserves the right to change specifications at any time and without prior notice, without incurring obligations.*

## 6.0 Setup and assembly

**Note:** Individual trucks are assembled and ready to use. Pallet trucks purchased in crate quantities (6 units to a crate) require some assembly. Match the “number” label on the handle to the “number” label on the frame, prior to assembly. Proceed with instructions below.

If you received an individual truck, proceed to *section 7.0 – Operations*.

### Tools Needed for Assembly

- Hammer
- Flat Head Screwdriver
- Pliers or 17mm Wrench

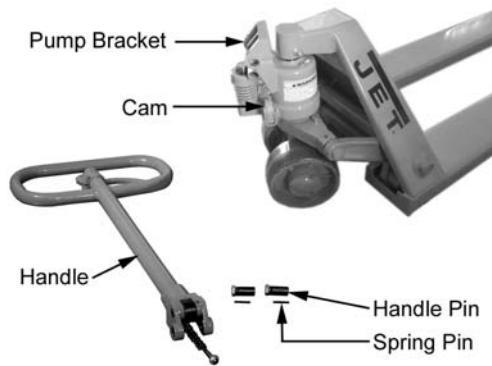


Figure 1

1. Insert the base of the handle (A, Figure 2) into the pump bracket (B, Figure 2).
2. Align the holes (C, Figure 2) at the base of the handle with the holes in the pump bracket.
3. Using a screwdriver, pry the cam (D, Figure 2) up and slip the bolt head under the notch in the cam. **Do not adjust the nut.**

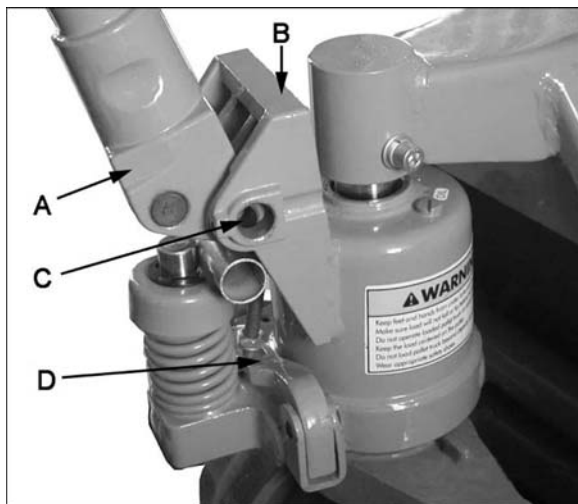


Figure 2

4. Insert handle pins (E, Figure 3) into the holes of the pump bracket and handle. Align the spring pin holes (F, Figure 3) in the handle pin and the pump bracket.
5. Tap the handle pins into place with a hammer.

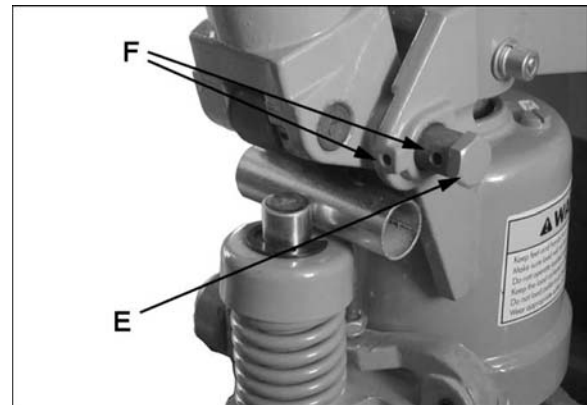


Figure 3

6. Using a hammer, tap the spring pins (A, Figure 4) into the pump bracket and handle pins.
- Note:** If the holes aren't lined up, use a 17mm wrench or pliers to turn the handle pin until the spring pin holes line up.
7. Repeat for the opposite side handle pin.
  8. Pull handle down and remove retaining tube (B, Figure 4) by pulling straight out. Discard retaining tube.

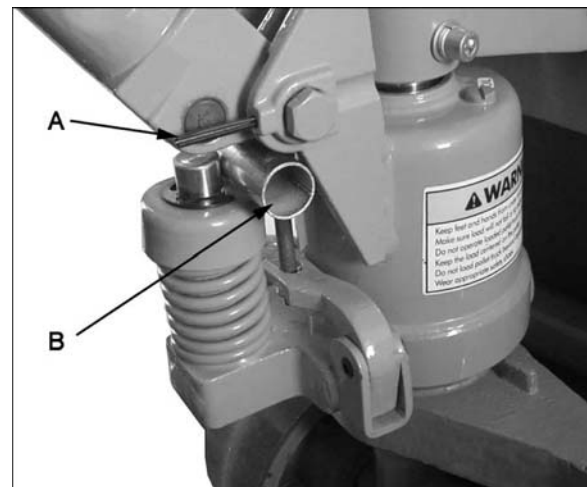


Figure 4

**Note:** If the pallet truck does not raise or lower properly, you may have air bubbles in the pump from shipping. Refer to *section 8.1 – Cleaning Release Valve*.

## 7.0 Operations

To raise forks, place handle in the UP position (bottom part of the handle slot), See Figure 5.

To lower forks, pull lever handle to DOWN position (upper part of slot).

To freely move the handle, set lever in Neutral (center notch of slot).

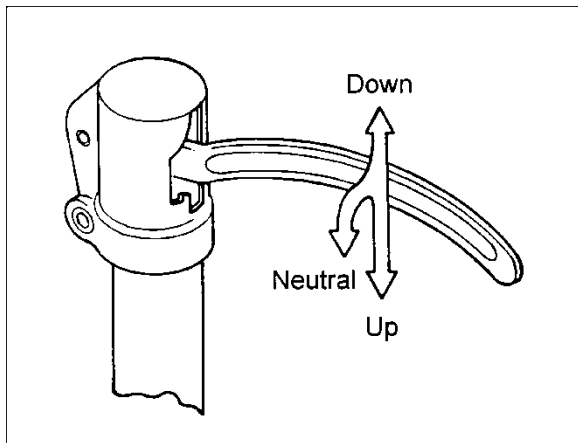


Figure 5

### 7.1 Lifting Load

1. Lower forks to lowest position, Figure 5.
2. Insert forks under load, or into pallet.
3. Place lever in UP position (bottom part of slot), Figure 5.
4. Move handle up and down until forks reach desired height.

### 7.2 Moving Load

1. Place lever in NEUTRAL position (center notch of slot), Figure 5.
2. Pull or push pallet truck to desired location.

### 7.3 Lowering Load

1. Pull lever to DOWN position (upper part of slot), Figure 5.
2. Pull forks away from load.

### 7.4 Up-Down Cam Adjustment

1. Set lever in NEUTRAL position, Figure 5.
2. Turn cam nut while pumping the handle, Figure 6.
3. When lifting stops, give the nut one more turn.
4. The cam nut is properly adjusted when pumping the handle in NEUTRAL position causes no movement of the hydraulic ram.

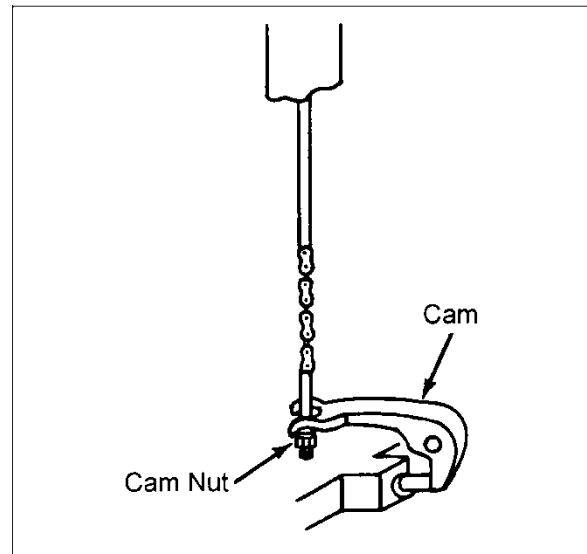


Figure 6

## 8.0 Maintenance

### 8.1 Cleaning Release Valve

Over time, the hydraulic pump assembly may become clogged with debris or air bubbles, and not function properly.

To clean the release valve and bleed the pump:

1. Pump handle quickly, raising pallet truck to full extent. While continuing pumping action, pull lever to down position.
2. When forks reach total down position, valve is flushed. Repeat if necessary.

### 8.2 Lubrication

Check oil level annually by removing oil plug found on top of pump housing. When changing or adding oil, fill the tank through the oil plug screw hole to 80% capacity with hydraulic jack oil, about 2" deep in pump housing, see Figure 7. **Do not** use any other type of oil.

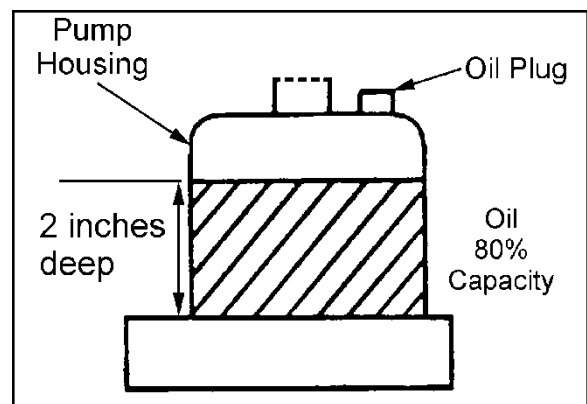


Figure 7

There is one grease fitting (#55B, section 10.1.1) located on the table. Lubricate this point on a semi-annual basis.

Wheel bearings are sealed and require no lubrication. The crank shaft features Oil Lite bushings which also require no lubrication.

Lightly oil all other moving parts.

### 8.3 Piston Seal/O-Ring Replacement

1. Raise pallet truck by pumping handle.
2. Remove screws #70, sect. 10.1.1. This will free the pump and handle assembly from the pallet truck.
3. Empty the oil into a suitable container. Pump handle until all oil has drained. Dispose of used hydraulic oil or fluid according to local regulations.
4. Pull out piston plunger #33, and/or ram piston #25.
5. Remove all o-rings and seals (see Figure 8).

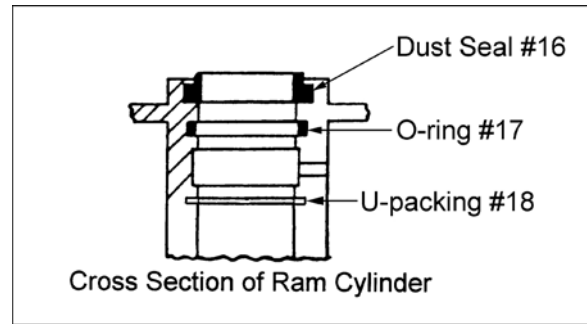


Figure 8

6. Insert new o-ring or seal one at a time making sure to replace with the same size that was removed.
7. Reassemble and fill oil tank through the oil plug screw hole to 80% capacity with new hydraulic jack oil, about 2" deep in pump housing, see Figure 7.

## 9.0 Troubleshooting the PTJ Series Pallet Trucks

Index numbers refer to parts breakdown, *section 10.0*.

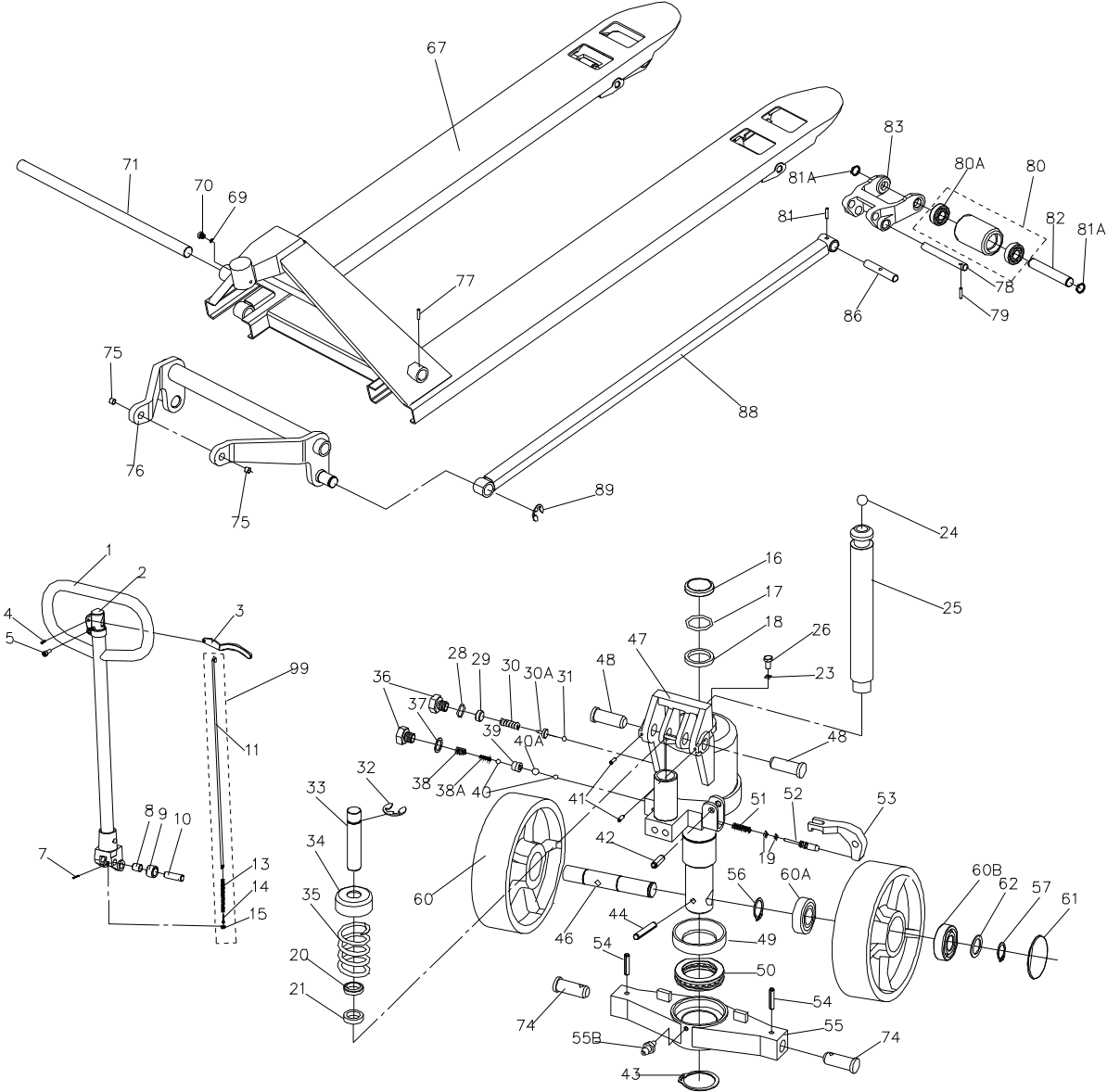
Symptom	Possible Cause	Correction
Hydraulic unit does not lift.	Oil low in tank.	Make sure there is no oil leakage from Release Plug #36, and add oil.
	Air in pump.	Place lever in down position and pump handle repeatedly.
	Worn O-ring in cylinder.	Consult authorized service center.
Once lifted, truck lowers by itself.	Steel ball not seated in hydraulic unit.	Refer to <i>section 8.1 Cleaning Release Valve</i> .
	Worn O-ring in cylinder.	Consult authorized service center.
	Release valve not seated properly.	Refer to <i>section 8.1 Cleaning Release Valve</i> .
	Oil leakage from Release Plug #36.	Tighten Release Plug #36. Replace O-rings on Release Plug #36. If leakage still occurs, consult authorized service center.
Fork does not lower.	Cam #53 broken.	Replace cam #53.
	Up-down cam nut #15 out of adjustment.	Refer to <i>section 7.4 Up-Down Cam Adjustment</i> .
	Broken fork rods and linkage.	Consult authorized service center, or replace broken parts.
Lever does not set at NEUTRAL position.	Up-down cam nut #15 out of adjustment.	Refer to <i>section 7.4 Up-Down Cam Adjustment</i> .

## 10.0 Replacement Parts

Replacement parts are listed on the following pages. To order parts or reach our service department, call 1-800-274-6848 Monday through Friday (see our website for business hours, [www.waltermeier.com](http://www.waltermeier.com)). Having the Model Number and Serial Number of your machine available when you call will allow us to serve you quickly and accurately.



# 10.1.1 PTJ-Series Pallet Trucks – Exploded View



## 10.1.2 PTJ-Series Pallet Trucks – Parts List

Index No	Part No	Description	Size	Qty
1	PT2748A-001A	Handle		1
2	PT2748A-002A	Handle Cap		1
3	PT2748A-003A	Lever		1
4	PT2748A-004	Spring Pin	5x16mm	1
5	PT2748A-005	Bolt	M8x20	1
7	PT2748A-007	Spring Pin	3x28mm	1
8	PT2748A-008	Oil Lite Bushing		1
9	PT2748A-009	Roller		1
10	PT2748A-010	Roller Pin		1
11	PT2748A-011	Release Rod		1
13	PT2748A-013	Chain		1
14	PT2748A-014	Anchor Bolt		1
15	PT2748A-015	V-Nut	M8	1
16	PT2748J-101B	Dust Seal *		1
17	PT2748J-101B	O-Ring *	29.8x3.5mm	1
18	PT2748J-101B	U-Packing *	30x38x6mm	1
19	PT2748J-101B	O-Ring *	4.8x1.9mm	2
20	PT2748J-101B	Dust Seal *		1
21	PT2748J-101B	U-Packing *	18x26x5	1
23	PT2748J-101B	O-Ring *	6x1.9mm	1
24	SB-14MM	Steel Ball	14mm	1
25	PT2748J-025	Ram Piston		1
26	PT2748A-026	Oil Plug		1
28	PT2748J-101B	O-Ring *	11.6x2.4mm	1
29	PT2748A-029	Release Screw		1
30	PT2748A-030	Spring	10x2.3x27mm	1
30A	PT2748A-30A	Valve		1
31	SB-6MM	Steel Ball	6mm	1
32	PT2748A-032	E-Ring	15mm	1
33	PT2748L-033	Plunger Piston		1
34	PT2748A-034	Spring Cap		1
35	PT2748A-035A	Spring	38x5x121mm	1
36	PT2748A-036	Release Plug		2
37	PT2748A-037	Washer	20mm	1
38	PT2748A-038	Spring	8x1.5x12.8mm	1
38A	PT2748A-038A	Spring	4.8x0.7x15mm	1
39	PT2748A-039	Valve Housing		1
40	SB-6MM	Steel Ball	6mm	2
40A	SB-9MM	Steel Ball	9mm	1
41	PT2748A-041	Spring Pin	3x28mm	2
42	PT2748A-042	Spring Pin	8x25mm	1
43	PT2748A-043	Snap Ring	44mm	1
44	PT2748A-044	Spring Pin	8x45mm	1
46	PT2748A-046A	Wheel Shaft ( <i>all models except PT-1636J</i> )		1
	PT1636J-046A	Wheel Shaft ( <i>PT-1636J only</i> )		1
47	PT2748J-109A	Pump Housing Assembly ( <i>all models</i> )		1
48	PT2748A-048	Handle Pin		2
49	PT2748A-049	Bearing Base		1
50	BB-51109	Ball Bearing	51109	1
51	PT2748A-051	Spring	6.3x1.2x25mm	1
52	PT2748A-052	Release Nozzle		1
53	PT2748A-053A	Cam		1

\* Available only in the repair kit – PT2748J-101B

Index No	Part No	Description	Size	Qty
54	PT1636J-054	Spring Pin.....	6x30mm	2
55	PT2748A-055A	Table ( <i>all models except PT-1636J</i> ).....		1
	PT1636J-055A	Table ( <i>PT-1636J only</i> ).....		1
55B	PT2748A-055B	Grease Fitting.....		1
56	PT2748A-056	Snap Ring.....	25mm	2
57	PT2748A-057	Snap Ring.....	20mm	2
60	PT2748L-103A	Steer Wheel Assembly W/Bearings.....		2
60A	BB-6205VV	Steer Wheel Ball Bearing.....	6205VV	2
60B	BB-6304VV	Steer Wheel Ball Bearing.....	6304VV	2
61	PTX2748-056	Dust Seal Cap.....		2
62	TS-1550111	Washer.....	20mm	2
67		Fork Frame (N/A).....		1
69	TS-1551061	Lock Washer.....	8mm	2
70	TS-1504031	Socket Head Cap Screw.....	M8x14	2
71	PT2748A-071	Crank Shaft ( <i>PT-2742J / PT-2748J</i> ).....		1
	PT2048A-071	Crank Shaft ( <i>PT-2036J / PT-2042J / PT-2048J</i> ).....		1
	PT1636J-071	Crank Shaft ( <i>PT-1636J Only</i> ).....		1
74	PT2748A-074	Table Pin.....		2
75	PT2748A-075	Oil Lite Bushing.....		2
76	PT2748J-076A	Lifting Yoke ( <i>PT-2742J / PT-2748J</i> ).....		1
	PT2048J-076A	Lifting Yoke ( <i>PT-2036J / PT-2042J / PT-2048J</i> ).....		1
	PT1636J-076A	Lifting Yoke ( <i>PT-1636J Only</i> ).....		1
77	PT2748J-077	Spring Pin.....	6x35mm	1
78	PT2748J-078A	Arm Pin.....	16x145mm	2
79	PT2748J-079	Spring Pin.....	5x25mm	2
80	PT2748J-080BN	Black Nylon Load Wheel W/Bearings.....		2
80A	BB-6004VV	Load Wheel Bearing.....	6004	4
81	PT2748J-079	Spring Pin.....	5x25mm	2
81A	PT2748J-081A	Snap-Ring.....	20mm	4
82	PT2748J-082	Load Wheel Axle.....		2
83	PT2748J-083A	Arm.....		2
86	PT2748J-086A	Rod Pin.....	16x96mm	2
88	PT2736J-088A	Rod ( <i>PT-1636J / PT-2036J</i> ).....		2
	PT2742J-088A	Rod ( <i>PT-2042J / PT-2742J</i> ).....		2
	PT2748J-088A	Rod ( <i>PT-2048J / PT-2748J</i> ).....		2
89	PT2748A-089A	E-Ring.....	19mm	2
99	PT2748A-099A	Release Rod Assembly (index #11,13-15).....		1
	PT2748J-101B	Repair Kit (index # 16-23, 28).....		1
	PT2748J-109A	Pump Assembly ( <i>all models except PT-1636J</i> ).....		1
	PT1636J-109A	Pump Assembly ( <i>PT-1636J only</i> ).....		1
	PT2748J-110A	Pump, Handle, Wheel Assembly ( <i>all models except PT-1636J</i> ).....		1
	PT1636J-110A	Pump, Handle, Wheel Assembly ( <i>PT-1636J Only</i> ).....		1
	PT1636J-ID-A	I.D. Label (not shown).....		1
	PT2036J-ID-A	I.D. Label (not shown).....		1
	PT2042J-ID-A	I.D. Label (not shown).....		1
	PT2048J-ID-A	I.D. Label (not shown).....		1
	PT2742J-ID-A	I.D. Label (not shown).....		1
	PT2748J-ID-A	I.D. Label (not shown).....		1
	PT2748J-JET	JET Logo Label (not shown).....		2
	PT2748J-WL	Warning Label (not shown).....		1
	PT2748J-PL	Pump Label (not shown).....		1

# TEST CERTIFICATE

COMMODITY	Pallet Truck
MODEL	PT- J
SERIAL NO.	
CAPACITY	5,000 lbs
TEST LOAD	5,000 lbs
DATE OF INSPECTION	
JUDGEMENT	<b>PASSED</b>
INSPECTOR	



**WALTER MEIER (Manufacturing) Inc.**  
427 New Sanford Road  
LaVergne, Tennessee 37086  
Phone: 800-274-6848  
[www.waltermeier.com](http://www.waltermeier.com)