



## Operating Instructions and Parts Manual PTW-Series Premium Pallet Trucks



**WALTER MEIER (Manufacturing) Inc.**

427 New Sanford Road  
LaVergne, Tennessee 37086  
Ph.: 800-274-6848  
[www.waltermeier.com](http://www.waltermeier.com)

**Part No. M-140170-A**

Revision A 10/2010

Copyright © 2010 Walter Meier (Manufacturing) Inc.

# Warranty and Service

Walter Meier (Manufacturing) Inc., warrants every product it sells. If one of our tools needs service or repair, one of our Authorized Service Centers located throughout the United States can give you quick service. In most cases, any of these Walter Meier Authorized Service Centers can authorize warranty repair, assist you in obtaining parts, or perform routine maintenance and major repair on your JET® tools. For the name of an Authorized Service Center in your area call 1-800-274-6848.

## MORE INFORMATION

Walter Meier is consistently adding new products to the line. For complete, up-to-date product information, check with your local Walter Meier distributor, or visit [waltermeier.com](http://waltermeier.com).

## WARRANTY

JET products carry a limited warranty which varies in duration based upon the product (MW = Metalworking, WW = Woodworking).

<b>90</b> DAY WARRANTY	<b>1</b> YEAR WARRANTY	Body Repair Kits Bottle Jacks Cable Pullers Cold Saws Hoists-Air Hoists-Electric Metal forming Mill/Drills Milling Machines MW Bandsaws MW Drill Presses MW Finishing Equipment MW Lathes MW Precision Vises	<b>2</b> YEAR WARRANTY	Palet Trucks Rigging Equip. Service Jacks Stackers Surface Grinders Tapping Trolleys-Air Trolleys-Electric Web Slings Winches-Electric	<b>3</b> YEAR WARRANTY	WW Benchtop Tools	<b>5</b> YEAR WARRANTY	Beam Clamps Chain Hoist- Manual Lever Hoists Pullers-JCH Models Scissor Lift Tables Screw Jacks Trolleys-Geared Trolleys-Plain Winches-Manual WW Air Filtration WW Bandsaws WW Buffers	WW Drill Presses WW Dust Collectors WW Dust Filters WW Dust Fittings WW Jointers WW Lathes WW Planers WW Sanders WW Shapers WW Tablesaws	<b>LIFE</b> LIFETIME WARRANTY	Fastening Tools Mechanics Hand Tools Striking Tools Vises (no -precision) Clamps
Warranty reverts to 1 Year Warranty if woodworking (WW) products listed above are used for industrial or educational purposes.											

## WHAT IS COVERED?

This warranty covers any defects in workmanship or materials subject to the exceptions stated below. Cutting tools, abrasives and other consumables are excluded from warranty coverage.

## WHO IS COVERED?

This warranty covers only the initial purchaser of the product.

## WHAT IS THE PERIOD OF COVERAGE?

The general JET warranty lasts for the time period specified in the product literature of each product.

## WHAT IS NOT COVERED?

Five Year Warranties do not cover woodworking (WW) products used for commercial, industrial or educational purposes. Woodworking products with Five Year Warranties that are used for commercial, industrial or education purposes revert to a One Year Warranty. This warranty does not cover defects due directly or indirectly to misuse, abuse, negligence or accidents, normal wear-and-tear, improper repair or alterations, or lack of maintenance.

## HOW TO GET SERVICE

The product or part must be returned for examination, postage prepaid, to a location designated by us. For the name of the location nearest you, please call 1-800-274-6848.

You must provide proof of initial purchase date and an explanation of the complaint must accompany the merchandise. If our inspection discloses a defect, we will repair or replace the product, or refund the purchase price, at our option. We will return the repaired product or replacement at our expense unless it is determined by us that there is no defect, or that the defect resulted from causes not within the scope of our warranty in which case we will, at your direction, dispose of or return the product. In the event you choose to have the product returned, you will be responsible for the shipping and handling costs of the return.

## HOW STATE LAW APPLIES

This warranty gives you specific legal rights; you may also have other rights which vary from state to state.

## LIMITATIONS ON THIS WARRANTY

WALTER MEIER (MANUFACTURING) INC., LIMITS ALL IMPLIED WARRANTIES TO THE PERIOD OF THE LIMITED WARRANTY FOR EACH PRODUCT. EXCEPT AS STATED HEREIN, ANY IMPLIED WARRANTIES OR MERCHANTABILITY AND FITNESS ARE EXCLUDED. SOME STATES DO NOT ALLOW LIMITATIONS ON HOW LONG THE IMPLIED WARRANTY LASTS, SO THE ABOVE LIMITATION MAY NOT APPLY TO YOU.

WALTER MEIER SHALL IN NO EVENT BE LIABLE FOR DEATH, INJURIES TO PERSONS OR PROPERTY, OR FOR INCIDENTAL, CONTINGENT, SPECIAL, OR CONSEQUENTIAL DAMAGES ARISING FROM THE USE OF OUR PRODUCTS. SOME STATES DO NOT ALLOW THE EXCLUSION OR LIMITATION OF INCIDENTAL OR CONSEQUENTIAL DAMAGES, SO THE ABOVE LIMITATION OR EXCLUSION MAY NOT APPLY TO YOU.

Walter Meier sells through distributors only. The specifications in Walter Meier catalogs are given as general information and are not binding. Members of Walter Meier reserve the right to effect at any time, without prior notice, those alterations to parts, fittings, and accessory equipment which they may deem necessary for any reason whatsoever. JET® branded products are not sold in Canada by Walter Meier.

# Table of Contents

Warranty and Service .....	2
Table of Contents .....	3
Warning.....	4
Introduction .....	4
Specifications .....	5
Assembly .....	6
Operation .....	7
Lubrication.....	7
Maintenance.....	8
O-Ring and Seal Replacement for Ram Piston and Plunger Piston.....	8
Replacement Parts .....	9
Parts Breakdown for PTW-Series Pallet Trucks.....	10
Parts Breakdown for PTW-Series Pallet Trucks.....	11
Parts List for PTW-Series Pallet Trucks.....	13

## Record Your Purchase Information Here:

Purchased from \_\_\_\_\_ Date \_\_\_\_\_

Model Number \_\_\_\_\_ Stock Number \_\_\_\_\_

Serial Number \_\_\_\_\_ Date in Service \_\_\_\_\_



# Warnings

- Read and understand the entire owner's manual before using the pallet truck.
- Do not place hands or feet under the pallet truck at any time.
- Do not operate a loaded pallet truck on ramps or inclines.
- Do not tip load pallet truck forks. This may cause damage to the forks and personal injury if the rear of the pallet truck suddenly "pops up."
- Never leave a loaded pallet truck unattended in the raised position. Always lower load to the floor.
- Do not load pallet truck beyond its rated capacity.
- Secure load before transporting.
- To prevent accidental tipping, make sure load is centered on the forks.
- Do not move a loaded pallet truck by other than manual force.
- Failure to comply with these warnings may result in personal injury and/or property damage.
- Replace warning labels if they become obscured or removed.

## Introduction

Congratulations on your purchase of a JET "PTW" Series Premium Pallet Truck.

To better understand the proper use and safe operation of this pallet truck, please take a few minutes to carefully read and follow the instructions contained in this manual. When finished reading and understanding the manual, please file in a safe and convenient location for the life of the pallet truck.

You will notice several important features about your JET Premium Pallet Truck. It features a 2-7/8" lowered height, rounded fork tips and nylon entry/exit rollers to provide easy entry and exit of pallets.

A large, easy-to-use ergonomic handle with a 200° turning radius allows maximum maneuverability. The articulated steer wheel axle helps maintain floor contact on uneven surfaces.

The cast iron pump design features top-of-the-stroke and overload by-pass systems, hardened and chromed ram and piston, and a single point valve service for easy replacement. A special lowering valve allows you to control the rate of descent and prevent "shock" loads.

Your JET Premium Pallet Truck is designed and built to give you years of trouble-free service with minimal maintenance and service attention.

# Specifications

Model	Stock No.	W1 (in.)	W2 (in.)	L1 (in.)	L2 (in.)	H1 (in.)	H2 (in.)	A (DxW) (in.)	B (D x W)/in.	C (in.)	Max. Load (lbs.)	Net Wt. (lbs.)
PTW-2036	140170	20.5	6.25	36	51	7-3/4	2-7/8	7 x 2	2-7/8 x 3-11/16	47	6,000	170
PTW-2042	140171	20.5	6.25	42	57	7-3/4	2-7/8	7 x 2	2-7/8 x 3-11/16	47	6,000	179
PTW-2048	140172	20.5	6.25	48	63	7-3/4	2-7/8	7 x 2	2-7/8 x 3-11/16	47	6,000	187
PTW-2742	140174	27	6.25	42	57	7-3/4	2-7/8	7 x 2	2-7/8 x 3-11/16	47	6,000	192
PTW-2748	140175	27	6.25	48	63	7-3/4	2-7/8	7 x 2	2-7/8 x 3-11/16	47	6,000	200

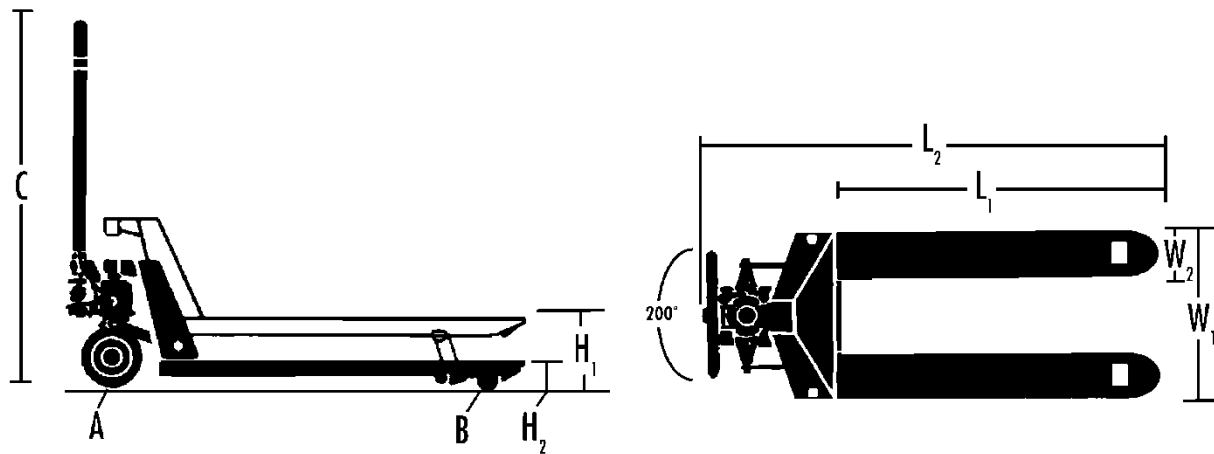


Figure 1

The above specifications were current at the time this manual was published, but because of our policy of continuous improvement, Walter Meier (Manufacturing) Inc., reserves the right to change specifications at any time and without prior notice, without incurring obligations.

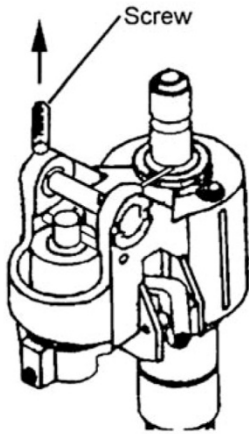
# Assembly

**Note:** Individual pallet trucks are assembled and ready to use. Pallet trucks purchased in crate quantities (6 units to a crate) require some assembly. Match the “letter” label on the handle assembly to the “letter” label on the frame, prior to assembly.

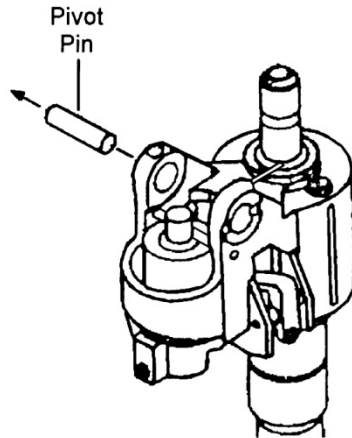
## Tools required for assembly:

Hammer  
3mm Hex Key  
Pliers

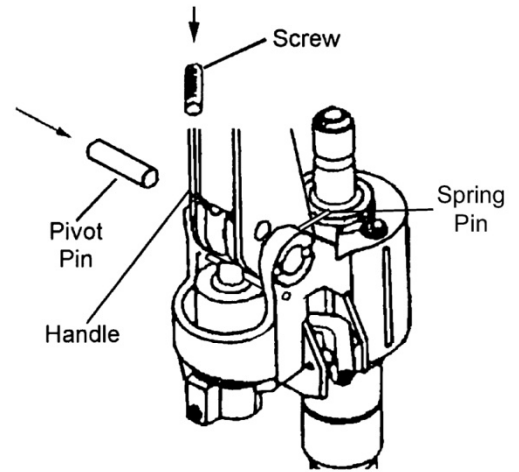
## To attach handle assembly to the frame:



1. Unscrew the hex socket screw.



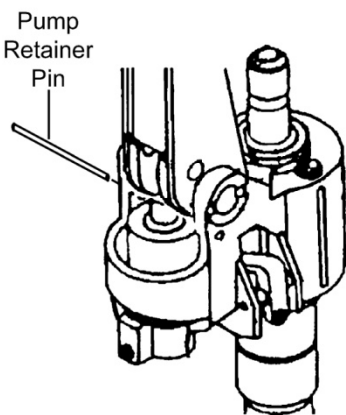
2. Tap out pivot pin.



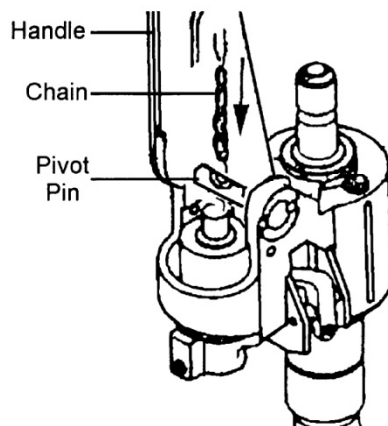
3. Align the holes in the handle with the holes in the pump body. Tap the pivot pin into the handle and pump body.

4. Using pliers, turn the pivot pin until spring pin hole's line up.

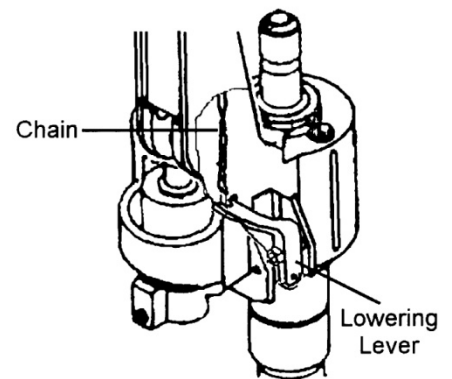
5. Using a hammer, tap the spring pin into the pump body and pivot pin. Reinstall the hex socket screw.



6. Tap out pump retainer pin.



7. Feed the chain through the hole in the pivot pin.



8. Place the bottom of the head through the lowering valve.

## Operation

To raise the forks, push lever down and pump the handle until desired height is reached.

To lower forks, pull lever up. The lever is spring loaded and will return to the neutral position when released.

To freely move the handle, set the lever in the center neutral position.

### **To lift a load:**

1. Lower forks to lowest position.
2. Insert forks under load or into pallet.
3. Push the lever down.
4. Move handle up and down until forks reach desired height.

### **To move a load:**

1. Place lever in center neutral position.
2. Pull or push to desired location.

### **To lower a load:**

1. Pull lever up, and allow load to settle.
2. Pull forks away from load.

## Lubrication

Check the oil level annually by removing #65 screw. When changing or adding oil, fill the tank through #65 screw hole, to 80% capacity with hydraulic jack oil approximately 2" deep in pump housing. See pump housing breakdown.

There are five oil points located on the truck. One is located on the bearing base #97, one on pressure plate #5, and the others on the load wheel frame #22. Grease the five points on a semi-annual basis.

Lightly oil all moving parts.

## Maintenance

**IMPORTANT:** Repairs and seal ring replacements should be performed only by qualified personnel. Also, certain procedures may require specialized tools. You can locate the nearest authorized Walter Meier Service Center on our website: [www.waltermeier.com](http://www.waltermeier.com).

Numbers in parentheses refer to index numbers in the parts breakdowns.

### O-Ring and Seal Replacement for Ram Piston and Plunger Piston

**Note:** Refer to Pump Breakdown.

1. Raise the pallet truck by pumping handle.
2. Remove the C-clip #69B. This will free the pump and handle assembly from the pallet truck
3. Remove screw (#83) and empty the oil into a suitable container. Pump handle until all oil has drained.
4. Pull out ram piston or plunger piston.
5. Remove pump cap (#66) for Piston
6. Remove all O-Rings & Seals.
7. Insert new O-Ring or Seal one at a time making sure to replace with the same size that was removed.
8. Reassemble.
9. Refill oil to correct level through #65. 80% capacity or approximately 2 inches deep in reservoir.

### O-Ring and Seal Replacement for Valve Cartridge

1. Remove screw (#83) and empty the oil into a suitable container. Pump handle until all oil has drained.
2. Tap out spring pin (#79).
3. Remove the lowering lever (#76).
4. Unscrew the valve cartridge (#80).
5. Remove all O-Rings & Seals.
6. Insert new O-Ring or Seal one at a time making sure to replace with the same size that was removed.
7. Assemble the valve cartridge and lowering lever.

8. Refill oil to correct level #65. 80% capacity or approximately 2 inches deep in reservoir.

### Cleaning the Release Valve (Bleeding the Pump)

Over time the release valve assembly may become clogged with debris. To clean the release valve:

1. Pump handle quickly raising pallet truck to full extent. While continuing pump action, pull lever to down position.
2. When forks reach total down position, valve is flushed. Repeat if necessary.

### Adjusting Up-Down Cam

1. Place lever in the neutral position.
2. Loosen #78 hex nut.
3. Adjust #77 hex socket screw while pumping the handle.
4. The cam is properly adjusted when pumping the handle in the neutral position causes no movement.



## Troubleshooting

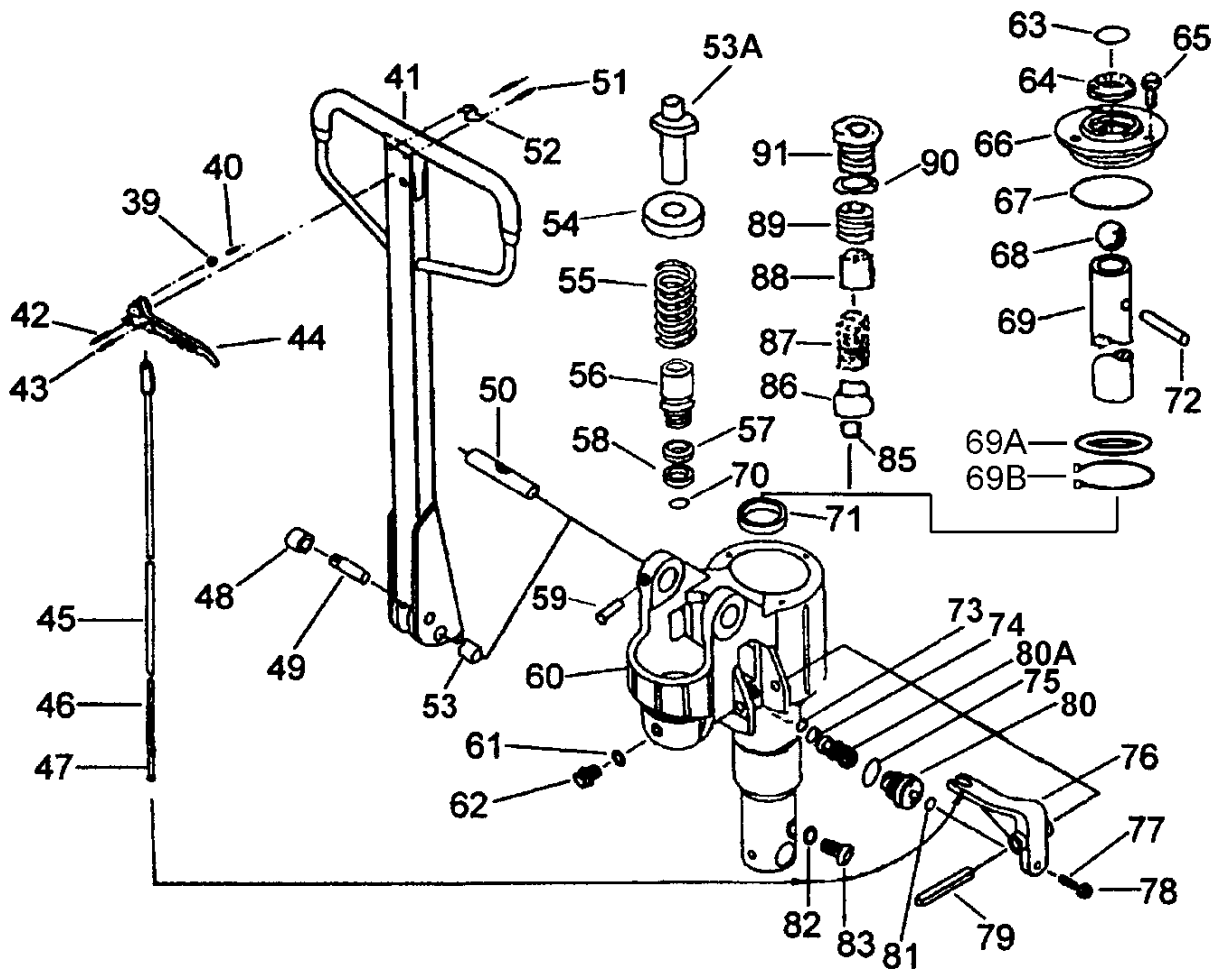
Possible problems could arise in the operation of your hydraulic pallet truck. Their probable causes(s) and corrective action(s) follow.

Trouble	Probable Cause	Remedy
Hydraulic unit does not lift.	Low oil level in reservoir.	Make sure there is no oil leakage from valve, and add oil.
	Steel ball not seated in hydraulic unit.	Place the lever in the down position and pump the handle repeatedly.
	Worn U-packing in ram cylinder.	Consult authorized service center.
Once lifted, truck lowers by itself.	Steel ball not seated in hydraulic unit.	Bleed the pump.
	Worn seal in ram cylinder.	Have seal(s) replaced.
	Release valve not seated properly.	Bleed the pump.
	Release valve not adjusted properly.	Reload truck within load capacity and adjust valve by pressure adjustment screw.
	Oil leakage from each valve.	Tighten plug of each valve.
Fork does not lower.	Relief cam or chain element broken.	Replace affected elements.
	Relief cam nut out of adjustment.	Refer to "Adjusting Relief Cam."
	Broken fork rods and linkage.	Inspect linkages for breaks or cracks. Replace elements as needed.
Lever does not set at Up-down.	Relief cam nut out of adjustment.	Refer to "Adjusting Relief Cam."
Truck doesn't roll smoothly or evenly.	Wheels have debris embedded, or out of round due to wear.	Inspect and remove debris. If worn, replace wheels. NOTE: Always replace wheels in pairs.

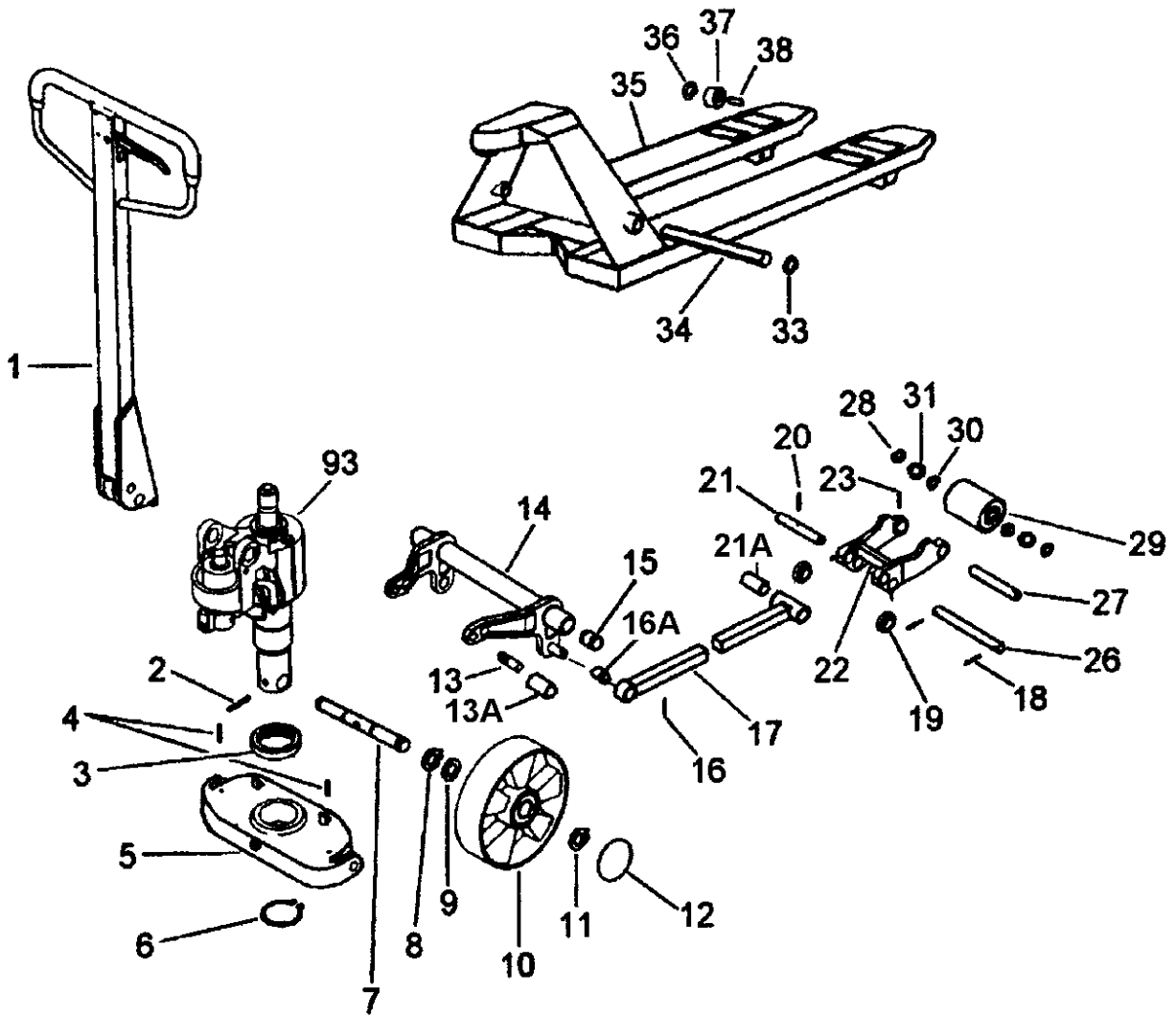
## Replacement Parts

Replacement parts are listed on the following pages. To order parts or reach our service department, call 1-800-274-6848, Monday through Friday (see our website for business hours, [www.waltermeier.com](http://www.waltermeier.com)). Having the Model Number and Serial Number of your machine available when you call will allow us to serve you quickly and accurately.

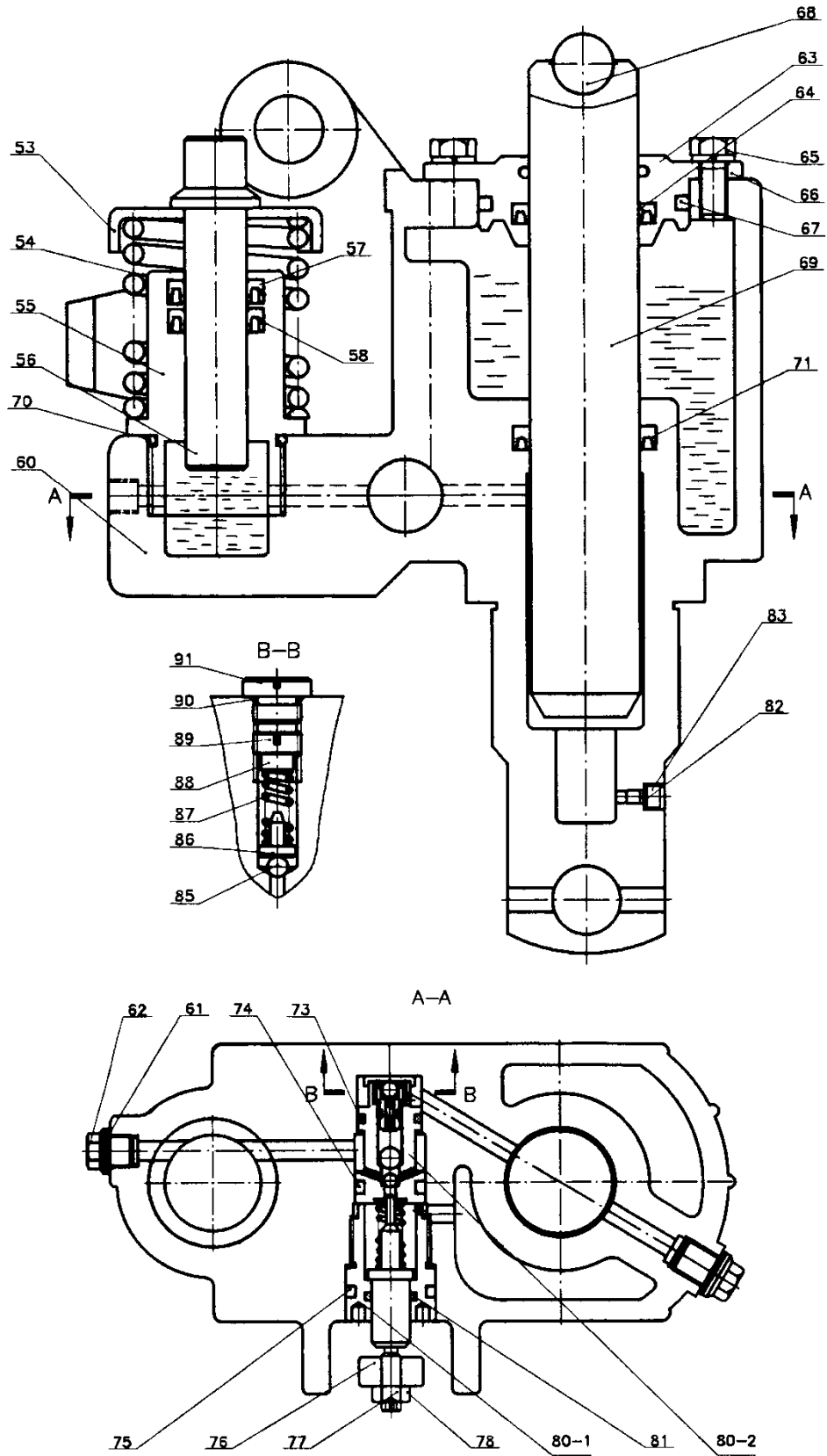
# Parts Breakdown for PTW-Series Pallet Trucks



# Parts Breakdown for PTW-Series Pallet Trucks



# Parts Breakdown for PTW-Series Pallet Trucks



## Parts List for PTW-Series Pallet Trucks

Index No.	Part No.	Description	Size	Qty
1	PT2748W-01	Handle Assembly Complete		1
2	PT2748W-02	Spring Pin	8x50mm	1
3	PT2748W-03	Bearing		1
4	PT2748W-04	Spring Pin	5x35mm	2
5	PT2748W-05	Pressure Plate		1
6	PT2748W-06	C-clip		1
7	PT2748W-07	Wheel Shaft		1
8	PT2748W-08	C-clip		2
9	PT2748W-09	Washer		2
10	PT2748W-10	Steering Wheel Complete w/Bearings		2
	BB-6240VV	Steer Wheel Bearing		4
11	PT2748W-11	C-clip		2
12	PT2748W-12	Steer Wheel Hub Cap		2
13	PT2748W-13	Arm Pin		2
13A	PT2748W-13A	Bushing		2
14	PT2748W-14	Lifting Link For 27" Wide Frame		1
	PT2048W-14	Lifting Link For 20.5" Wide Frame		1
15	PT2748W-15	Bushing		2
16	PT2748W-04	Spring Pin	5x35mm	2
16A	PT2748W-16A	Bushing		2
17	PT2748W-17	Push Rod For 48" Forks		2
	PT2742W-17	Push Rod For 42" Forks		2
	PT2736W-17	Push Rod For 36" Forks		2
18	PT2748W-18	Spring Pin	5x30mm	4
19	PT2748W-19	Roller		4
20	PT2748W-18	Spring Pin	5x30mm	2
21	PT2748W-21	Shaft		2
21A	PT2748W-21A	Bushing		4
22	PT2748W-22	Load Wheel Frame		2
22A	PT2748A-055B	Grease Fitting		4
23	PT2748W-18	Spring Pin	5x30mm	2
26	PT2748W-26	Shaft		2
27	PT2748W-27	Shaft		2
28	PT2748W-28	Washer		4
29	PT2748W-29	Load Wheel Complete w/Bearings		2
	BB-6204VV	Load Wheel Bearing		4
30	PT2748W-30	Load Wheel Dust Cover		4
31	PT2748W-31	Dust Cover Lock Ring		4
33	PT2748W-33	C-clip		1
34	PT2748W-34	Long Shaft For 27" Wide Frame		1
	PT2048W-34	Long Shaft For 20.5" Wide Frame		1
35	N/A	Fork Frame		1
36	PT2748W-36	C-clip		2
37	PT2748W-37	Entry Roller		2
38	PT2748W-38	Shaft		2
39	PT2748W-39	Stop Roller		1
40	PT2748W-40	Spring Pin	4x22	1
41	PT2748W-41	Handle		1
42	PT2748W-42	Spring Pin	6x30	1
43	PT2748W-40	Spring Pin	4x22	1
44	PT2748W-44	Lowering Lever		1
45	PT2748W-45	Lowering Linkage		1
46	PT2748W-46	Chain		1
47	PT2748W-47	Anchor chain		1
48	PT2748W-48	Pressure Roller		1
49	PT2748W-49	Pressure Roller Shaft		1

Index No.	Part No.	Description	Size	Qty
50	PT2748W-50	Pivot Pin		1
51	PT2748W-51	Spring Pin	4x30	2
52	PT2748W-52	Spring For Lowering Lever		1
53	PT2748W-53	Bushing		2
53A	PT2748W-53A	Plunger Piston		1
54	PT2748W-54	Spring Cap		1
55	PT2748W-55	Plunger Spring		1
56	PT2748W-56	Plunger Cylinder		1
57	PT2748W-94	O-ring & Seal Kit*	DH18	1
58	PT2748W-94	O-ring & Seal Kit*	DH18	1
59	PT2748W-59	Spring Pin		1
60	PT2748W-60	Pump Body		1
61	PT2748W-61	Washer		1
62	PT2748W-62	Screw Plug		1
63	PT2748W-94	O-ring & Seal Kit*	32x3.5	1
64	PT2748W-94	O-ring & Seal Kit*	UN32	1
65	PT2748W-65	Screw	M6x8	3
66	PT2748W-66	Pump Cap		1
67	PT2748W-94	O-ring & Seal Kit*	P62	1
68	SB-3/4	Ball	3/4	1
69	PT2748W-69	Piston		1
69A	PT2748W-69A	Washer		1
69B	PT2748W-69B	C-clip		1
70	PT2748W-94	O-ring & Seal Kit*	P31	1
71	PT2748W-94	O-ring & Seal Kit*	UN32	1
72	PT2048W-72	Pin		1
73	PT2748W-94	O-ring & Seal Kit*	P15	1
74	PT2748W-94	O-ring & Seal Kit*	P17	1
75	PT2748W-94	O-ring & Seal Kit*	P22	1
76	PT2748W-76	Lowering Lever		1
77	PT2048W-77	Threaded Pin		1
78	PT2748W-78	Hex Nut		1
79	PT2748W-79	Tension Pin Handle		1
80	PT2748W-80	Valve Cartridge 1		1
80A	PT2748W-80A	Valve Cartridge 2		1
81	PT2748W-94	O-ring & Seal Kit*	11x2.4	1
82	PT2748W-82	Washer		1
83	PT2748W-83	Bolt		1
84	PT2748W-84	Overload Valve Assembly** (#84-91)		1
85	PT2748W-84	Steel Ball**		1
86	PT2748W-84	Spreader Spring Bracket**		1
87	PT2748W-84	Spreader Spring**		1
88	PT2748W-84	Supporting Bracket**		1
89	PT2748W-84	Spreader Spring Bolt**		1
90	PT2748W-84	Washer**		1
91	PT2748W-84	Fixed Screw**		1
	PT2748W-92	Pump Handle Wheel Assembly		1
93	PT2748W-93	Pump Assembly Complete		1
	PT2748W-94	O-ring & Seal Kit* (57,58,63,67,70,71,73-75,81)	.1	1
	PT2748W-95	Label Kit		1
96	PT2748A-055B	Grease Fitting		1
97	PT2748W-97	Bearing Base		1
98	PT2748W-98	Set Screw	M8x10	1
99	PT2748W-99	Dust Boot		1

\*Available only in the O-ring & Seal kit - PT2748W-94

\*\*Available only in the Overload Valve Assembly - PT2748W-84

# TEST CERTIFICATE

COMMODITY	Pallet Truck
MODEL	PTW Series
SERIAL NO.	
CAPACITY	6,000 lbs.
TEST LOAD	lbs.
DATE OF INSPECTION	
JUDGEMENT	<b>PASSED</b>
INSPECTOR	



**WALTER MEIER (Manufacturing) Inc.**

427 New Sanford Road

LaVergne, Tennessee 37086

Phone: 800-274-6848

[www.waltermeier.com](http://www.waltermeier.com)