



Operating Instructions and Parts Manual
PTX and JTX Series Pallet Trucks
Models PTX-2036, PTX-2048, PTX-2748, and JTX-2748



For models with serial no. 11xx0001 and higher

WALTER MEIER (Manufacturing) Inc.

427 New Sanford Road
LaVergne, Tennessee 37086
Ph.: 800-274-6848
www.waltermeier.com

Part No. M-140092

Revision B 05/2011

Copyright © 2011 Walter Meier (Manufacturing) Inc.

Warranty and Service

Walter Meier (Manufacturing) Inc., warrants every product it sells. If one of our tools needs service or repair, one of our Authorized Service Centers located throughout the United States can give you quick service. In most cases, any of these Walter Meier Authorized Service Centers can authorize warranty repair, assist you in obtaining parts, or perform routine maintenance and major repair on your JET® tools. For the name of an Authorized Service Center in your area call 1-800-274-6848.

MORE INFORMATION

Walter Meier is consistently adding new products to the line. For complete, up-to-date product information, check with your local Walter Meier distributor, or visit waltermeier.com.

WARRANTY

JET products carry a limited warranty which varies in duration based upon the product (MW = Metalworking, WW = Woodworking).

90 DAY WARRANTY	1 YEAR WARRANTY	Body Repair Kits Bottle Jacks Cable Pullers Cold Saws Hoists-Air Hoists-Electric Metal forming Mill/Drills Milling Machines MW Bandsaws MW Drill Presses MW Finishing Equipment MW Lathes MW Precision Vises	2 YEAR WARRANTY	Palet Trucks Rigging Equip. Service Jacks Stackers Surface Grinders Tapping Trolleys-Air Trolleys-Electric Web Slings Winches-Electric	3 YEAR WARRANTY	WW Benchtop Tools	5 YEAR WARRANTY	Beam Clamps Chain Hoist-Manual Lever Hoists Pullers-JCH Models Scissor Lift Tables Screw Jacks Trolleys-Gearred Trolleys-Plain Winches-Manual WW Air Filtration WW Bandsaws WW Buffers	WW Drill Presses WW Dust Collectors WW Dust Filters WW Dust Fittings WW Jointers WW Lathes WW Planers WW Sanders WW Shapers WW Tablesaws	LIFE LIFETIME WARRANTY	Fastening Tools Mechanics Hand Tools Striking Tools Vises (no -precision) Clamps
Warranty reverts to 1 Year Warranty if woodworking (WW) products listed above are used for industrial or educational purposes.											

WHAT IS COVERED?

This warranty covers any defects in workmanship or materials subject to the exceptions stated below. Cutting tools, abrasives and other consumables are excluded from warranty coverage.

WHO IS COVERED?

This warranty covers only the initial purchaser of the product.

WHAT IS THE PERIOD OF COVERAGE?

The general JET warranty lasts for the time period specified in the product literature of each product.

WHAT IS NOT COVERED?

Five Year Warranties do not cover woodworking (WW) products used for commercial, industrial or educational purposes. Woodworking products with Five Year Warranties that are used for commercial, industrial or education purposes revert to a One Year Warranty. This warranty does not cover defects due directly or indirectly to misuse, abuse, negligence or accidents, normal wear-and-tear, improper repair or alterations, or lack of maintenance.

HOW TO GET SERVICE

The product or part must be returned for examination, postage prepaid, to a location designated by us. For the name of the location nearest you, please call 1-800-274-6848.

You must provide proof of initial purchase date and an explanation of the complaint must accompany the merchandise. If our inspection discloses a defect, we will repair or replace the product, or refund the purchase price, at our option. We will return the repaired product or replacement at our expense unless it is determined by us that there is no defect, or that the defect resulted from causes not within the scope of our warranty in which case we will, at your direction, dispose of or return the product. In the event you choose to have the product returned, you will be responsible for the shipping and handling costs of the return.

HOW STATE LAW APPLIES

This warranty gives you specific legal rights; you may also have other rights which vary from state to state.

LIMITATIONS ON THIS WARRANTY

WALTER MEIER (MANUFACTURING) INC., LIMITS ALL IMPLIED WARRANTIES TO THE PERIOD OF THE LIMITED WARRANTY FOR EACH PRODUCT. EXCEPT AS STATED HEREIN, ANY IMPLIED WARRANTIES OR MERCHANTABILITY AND FITNESS ARE EXCLUDED. SOME STATES DO NOT ALLOW LIMITATIONS ON HOW LONG THE IMPLIED WARRANTY LASTS, SO THE ABOVE LIMITATION MAY NOT APPLY TO YOU.

WALTER MEIER SHALL IN NO EVENT BE LIABLE FOR DEATH, INJURIES TO PERSONS OR PROPERTY, OR FOR INCIDENTAL, CONTINGENT, SPECIAL, OR CONSEQUENTIAL DAMAGES ARISING FROM THE USE OF OUR PRODUCTS. SOME STATES DO NOT ALLOW THE EXCLUSION OR LIMITATION OF INCIDENTAL OR CONSEQUENTIAL DAMAGES, SO THE ABOVE LIMITATION OR EXCLUSION MAY NOT APPLY TO YOU.

Walter Meier sells through distributors only. The specifications in Walter Meier catalogs are given as general information and are not binding. Members of Walter Meier reserve the right to effect at any time, without prior notice, those alterations to parts, fittings, and accessory equipment which they may deem necessary for any reason whatsoever. JET®-branded products are not sold in Canada by Walter Meier.

Table of Contents

- Warranty and Service 2
- Table of Contents 3
- Warning..... 4
- Introduction 4
- Specifications: JTX 5
- Specifications: PTX 5
- Unpacking 6
- Assembly 6
- Pallet Truck Operation 6
- Maintenance..... 7
 - Seal and O-Ring Replacement for Ram and Plunger Piston 7
- Troubleshooting..... 8
- Replacement Parts 8
 - PTX and JTX Pallet Trucks 9
 - Parts List: PTX Pallet Trucks..... 10
 - Parts List: JTX Pallet Truck 12



Warnings

1. Read and understand the entire owners manual before using the pallet truck.
2. Do not place hands or feet under the pallet truck at any time.
3. Never allow anyone to ride on the pallet truck.
4. Operate on smooth, level, finished floors only; do not use on ramps or sloping floors.
5. To prevent accidental tipping, make sure load is centered on the fork.
6. Do not lift a load with fork tips only. This may cause damage to the fork and personal injury if the rear of the pallet truck suddenly tips upward.
7. Do not load pallet truck beyond its rated capacity.
8. Never leave a loaded pallet truck unattended in the raised position. Always lower load to the floor.
9. Pull pump release lever slowly to allow load to descend in a controlled manner.
10. Secure load before transporting.
11. Do not move a loaded pallet truck by other than manual force.
12. The handle is designed to pull and steer the pallet truck only. Do not use the handle as a leverage tool.
13. Failure to comply with these warnings may result in personal injury and/or property damage.

Introduction

This manual is provided by Walter Meier (Manufacturing) Inc., covering the safe operation and maintenance procedures for a JET Model JTX or PTX Heavy Duty Pallet Truck. This manual contains instructions on assembly, safety precautions, general operating procedures, maintenance instructions and parts breakdown. This product has been designed and constructed to provide years of trouble free operation if used in accordance with instructions set forth in this manual. If there are any questions or comments, please contact either your local supplier or Walter Meier. Walter Meier can also be reached at our web site: www.waltermeier.com.

Record Your Purchase Information Here:

Purchased from:	Date:
Model Number:	Stock Number:
Serial Number:	Date in Service:

Specifications: JTX

Model Number.....	JTX-2748
Stock Number.....	140800
Minimum Fork Height (in.).....	3-1/4
Capacity (lbs.)	8,000
Turning Angle (deg.).....	210
Overall Fork Dimensions, L x W (in.).....	48 x 27
Force Required to Pump @ Maximum Load (lbs.).....	126
Force Required to Move @ Maximum Load (lbs.)	222.5
Handle Cycles to Maximum Height	13 to 14
Load Wheel (in.).....	3-1/4 O.D. x 3-1/2 W; nylon
Steer Wheel (in.)	8 O.D.; poly over aluminum
Handle Height from Floor (in.).....	48.42
Ram/Pump Piston Outside Diameter (in.).....	1.38 / 0.71
Pump Style.....	one-piece cast steel
Net Weight (lbs.).....	239

Specifications: PTX

Model Number.....	PTX-2036	PTX-2048	PTX-2748
Stock Number.....	140092	140091	140093
Minimum Fork Height (in.).....	2-1/2	2-1/2	2-1/2
Lifting Height (in.)	4	4	4
Capacity (lbs.)	5500	5500	5500
Turning Angle (deg.).....	210	210	210
Overall Fork Dimensions (L x W)(in.)	36 x 20	48 x 20	48 x 27
Force Required to Pump at Maximum Load (lbs.).....	97.65	97.65	97.65
Force Required to Move at Maximum Load (lbs.).....	100	100	100
Handle Cycles to Maximum Height	9 to 10	9 to 10	9 to 10
Load Wheel Type	nylon	nylon	nylon
Load Wheel Size (O.D. x W)(in.).....	2-1/2 x 4	2-1/2 x 4	2-1/2 x 4
Steer Wheel Type.....	poly over aluminum	poly over aluminum	poly over aluminum
Steer Wheel Size (O.D. x W)(in.)	7 x 2	7 x 2	7 x 2
Handle Height from Floor (in.).....	47-1/4	47-1/4	47-1/4
Ram/Pump Piston O.D. (in.).....	1.26/0.71	1.26/0.71	1.26/0.71
Pump Style.....	one-piece cast steel	one-piece cast steel	one-piece cast steel
Net Weight (lbs.).....	171.5	178.6	187.39

The above specifications were current at the time this manual was published, but because of our policy of continuous improvement, Walter Meier (Manufacturing) Inc., reserves the right to change specifications at any time and without prior notice, without incurring obligations.

Unpacking

Open shipping container and check for shipping damage. Report any damage immediately to your distributor and shipping agent. Do not discard any shipping material until the Pallet Truck is assembled and working properly.

Individual trucks are assembled and ready to use. Pallet trucks purchased in crate quantities (6 units to a crate) require some assembly. Match the "letter" label on the handle assembly to the "letter" label on the frame prior to assembly.

Assembly

Tools required for assembly:

Hammer
Flat Head Screwdriver
Pliers

1. Insert the base of the handle into the pump bracket (Figure 1). Align the holes at the base of the handle with the holes in the pump bracket.
2. Use a hammer to tap the handle pin into the holes of the pump bracket and handle (Figure 2). Use pliers to turn the handle pin until its holes align with the spring pin holes.
3. Feed the screw head through the center hole in the handle pin (Figure 3). Using a screwdriver, pry up the cam and slip the screw head under the notch in the cam.
4. Use a hammer to tap the spring pins (Figure 2) into the holes on the pump bracket and handle pin.
5. Tap out the pump retainer pin (Figure 1).

NOTE: It is a good idea to remove any air bubbles that might have accumulated in the hydraulic system during shipping. Refer to "Cleaning the Release Valve", on page 7.

Pallet Truck Operation

NOTE: Numbers in parentheses refer to item numbers in the breakdown on page 9.

This pallet truck is designed for use with open style pallets or skids only. Closed style pallets must be placed on top of fork prior to use.

1. Insert the fork into the pallet.

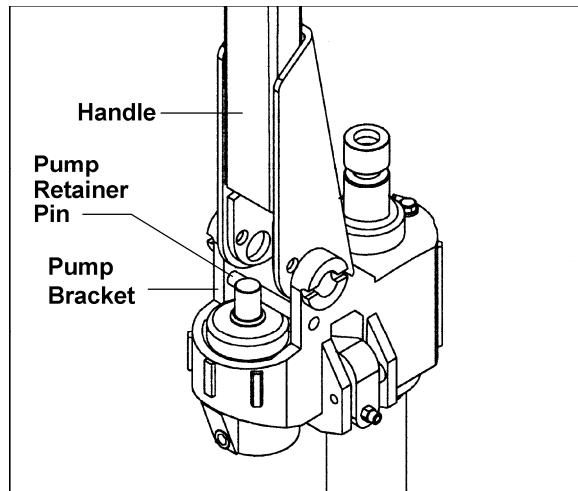


Figure 1

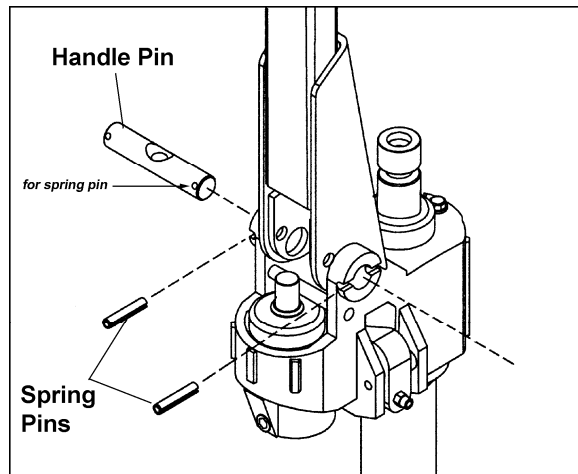


Figure 2

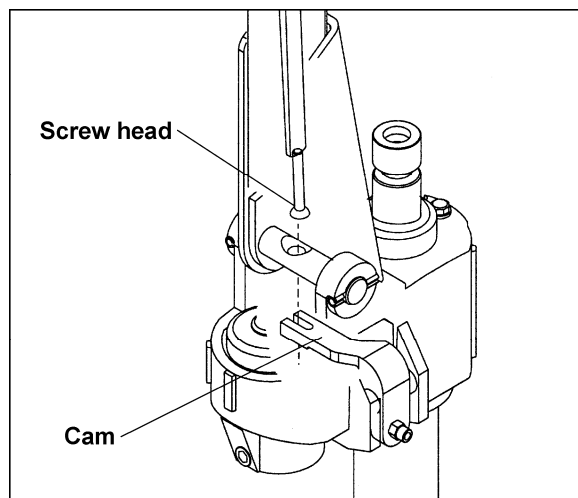


Figure 3

2. To raise the fork, push control lever all the way down, and pump the handle until the desired fork height is reached.
3. To move the handle without affecting the fork setting, set the control lever in the center neutral position. The load can now be pushed or pulled using the handle.
4. To lower the fork, pull lever all the way up. **Allow the load to descend slowly in a controlled manner.** The lever is spring loaded and will return to the neutral position when released.

CAUTION When not in use, do not allow heavy loads to remain on the fork for an extended period of time. Always lower fork completely when not in use.

Up-Down Cam Adjustment

When pumping the handle with the lever in neutral position, there should be no movement of the fork. If there is fork movement, the cam must be adjusted:

1. Place lever in neutral position.
2. Loosen the hex nut (16).
3. Adjust the socket head cap screw (17) while pumping the handle, until there is no longer any movement of the ram.
4. Tighten the hex nut (16).

Cleaning the Release Valve (Bleeding the Pump)

Over time, the hydraulic pump may become clogged with debris or air bubbles causing improper function.

Clean the release valve as follows:

1. Pump handle quickly, raising pallet truck to full extent. Pull lever all the way up in order to lower the fork, *while continuing to pump the handle.*
2. When fork has lowered completely, the valve has been flushed. Repeat if necessary.

Maintenance

Check the oil level annually by removing the oil plug (50) on top of the pump housing. When changing or adding oil, fill the tank through the oil plug hole to 80% capacity with hydraulic jack oil, about 2-1/2" deep in pump housing. See Figure 4. Do **not** use any other type of oil. When finished, replace oil plug (50).

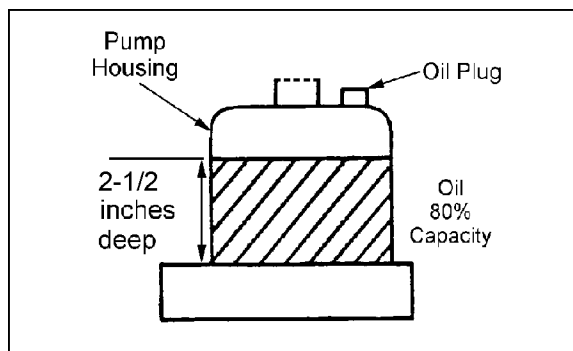


Figure 4

Wheel bearings are sealed and require no lubrication. The crank shaft features "oil lite" bushings that also require no lubrication.

Lightly oil all other moving parts.

Seal and O-Ring Replacement for Ram and Plunger Piston

1. Raise the pallet truck by pumping handle.
2. Remove spring pin (82). This will free the pump and handle assembly from the pallet truck.
3. Remove the oil plug (50), turn pump over and empty the oil into a suitable container. Pump handle until all oil has drained. Dispose of used hydraulic oil according to local disposal regulations.
4. Pull out plunger piston (37) and/or ram piston (48).
5. Remove all o-rings and seals. See Figure 5.
6. Insert new o-ring or seal one at a time making sure to replace with the same size that was removed.

Reassemble and fill the oil tank through the oil plug hole to 80% capacity with new hydraulic jack oil, about 2-1/2" deep in pump housing. See Figure 4.

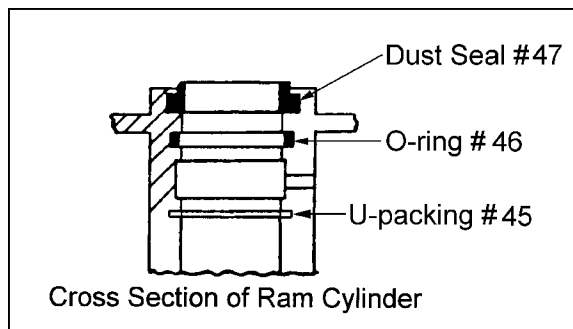


Figure 5

Troubleshooting

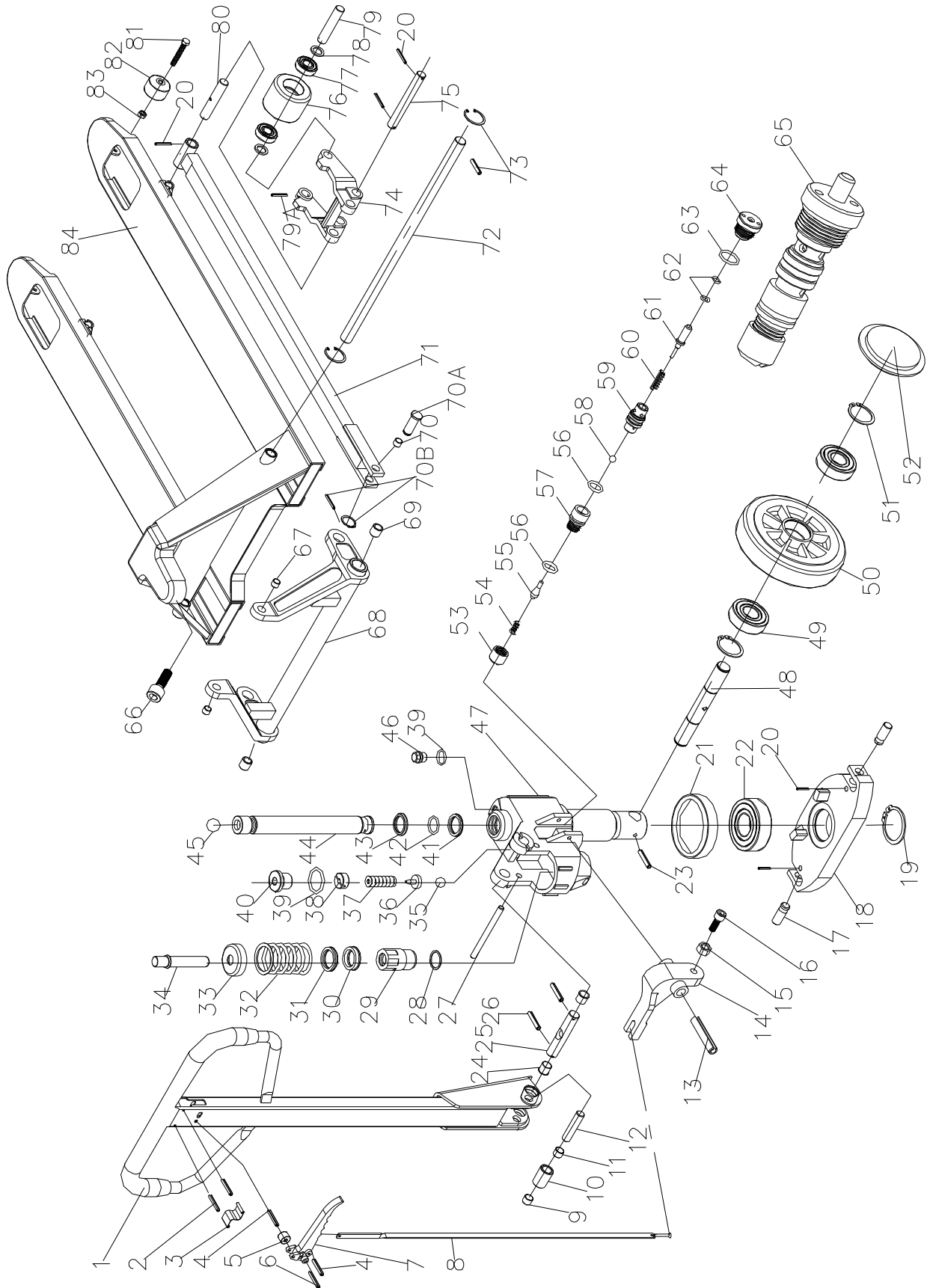
Numbers in parentheses refer to item numbers in the breakdown on page 9.

Trouble	Probable Cause	Remedy
Hydraulic unit does not lift.	Oil level is low.	Make sure there is no oil leakage from Release Screw (41), Pressure Adjustment Screw (43) or valve area. Then add oil.
	Air in pump.	See "Cleaning the Release Valve."
	Worn o-ring in ram cylinder.	Replace o-ring (refer to "Seal and O-Ring Replacement").
Once lifted, truck lowers by itself.	Steel ball (69) has not seated in hydraulic unit.	See "Cleaning the Release Valve."
	Worn o-ring in ram cylinder.	Replace o-ring (refer to "Seal and O-Ring Replacement").
	Release valve not seated properly.	See "Cleaning the Release Valve."
	Pallet truck loaded beyond capacity.	Reduce load to within capacity.
	Release valve not adjusted properly.	Adjust valve by Pressure Adjustment Screw (43) and Release Screw (41).
	Oil leakage from Release Screw (41) or Pressure Adjustment Screw (43).	Tighten Release Screw (41). Replace o-rings on Release Screw (41) and/or Pressure Adjustment Screw (43). If leakage continues, contact authorized service center.
Fork does not lower.	Cam requires adjustment.	Refer to "Up-Down Cam Adjustment."
	Cam (15) is damaged.	Replace cam (15).
	Damaged push rods and/or linkages.	Replace damaged parts. (It is recommended that an authorized service center perform this work.)
Lever does not set at NEUTRAL position.	Cam requires adjustment.	Refer to "Up-Down Cam Adjustment."

Replacement Parts

Replacement parts are listed on the following pages. To order parts or reach our service department, call 1-800-274-6848, Monday through Friday (see our website for business hours, www.waltermeier.com). Having the Model Number and Serial Number of your machine available when you call will allow us to serve you quickly and accurately.

PTX and JTX Pallet Trucks



Parts List: PTX Pallet Trucks

Index No.	Part No.	Description	Size	Qty
1	PTX2748-001	Handle		1
2	PTX2748-002	Spring Pin	Ø4 x 30 mm	2
3	PTX2748-003	Block Spring		1
4	PTX2748-004	Spring Pin	Ø4 x 22 mm	2
5	PTX2748-005	Roller	Ø14 x 10 mm	1
6	PT3348J-077	Spring Pin	Ø6 x 30 mm	1
7	PTX2748-008	Control Lever		1
8	PTX2748-009	Release Rod		1
9	PTX2748-010	Oil Lite Bushing	Ø15 x Ø17 x 20 mm	1
10	PTX2748-011	Roller	Ø25 x 36 mm	1
11	PTX2748-012	Oil Lite Bushing	Ø15 x Ø17 x 15 mm	1
12	PTX2748-013	Roller Pin	Ø15 x 65 mm	1
13	PTX2748-014	Spring Pin	Ø8 x 55 mm	1
14	PTX2748-015	Cam		1
15	TS-2311061	Hex Nut	M6	1
16	TS-1503051	Socket Head Cap Screw	M6 x 20	1
17	PTX2748-018	Table Pin	Ø16 x 47 mm	2
18	PTX2748-019A	Table		1
19	PTX2748-020A	Snap Ring	50 mm	1
20	PT2748J-081	Spring Pin	Ø5 x 30 mm	8
21	PTX2748-022A	Bearing Base		1
22	PTX2748-023	Ball Bearing	51110	1
23	PT2748A-044	Spring Pin	Ø8 x 45 mm	1
24	PTX2748-027A	Oil Lite Bushing	Ø20 x Ø22 x 16 mm	2
25	PTX2748-028	Handle Pin	Ø20 x 100 mm	1
26	PTX2748-029	Spring Pin	Ø5 x 40 mm	2
27	PTX2748-030	Pump Retainer Pin	Ø8 x 100 mm	1
28	PTX2748-031A	Washer	Ø27 mm	1
29	PTX2748-032A	Plunger Housing		1
30	PTX2748-033A	U-Packing *	Ø26 x Ø18 x 5 mm	1
31	PTX2748-034A	Dust Seal Ring *	Ø26 x Ø18 x 6 mm	1
32	PTX2748-035	Spring		1
33	PTX2748-036	Spring Cap		1
34	PTX2748-037A	Plunger Piston	Ø18 x 101 mm	1
35	SB-6MM	Steel Ball	6 mm	1
36	PT2748A-030	Spring Base		1
37	PT2748A-030A	Spring		1
38	PTX2748-041	Release Screw		1
39	PTX2748-042	O-Ring *	11.8 x 2.65 mm	2
40	PTX2748-043	Pressure Adjust Screw		1
41	PTX2748-045A	U-Packing *	Ø32 x Ø40 x 6 mm	1
42	PTX2748-046	O-Ring *	31.7 x 3.5 mm	1
43	PTX2748-047	Dust Seal Ring *	Ø32 x Ø40 x 6.5 mm	1
44	PTX2748-048A	Ram Piston	Ø32 x 270 mm	1
45	SB-19	Steel Ball	19 mm	1
46	PTX2748-050	Oil Plug		1
47	PTX2748-051A	Pump Housing		1
48	PTX2748-052A	Wheel Shaft	Ø25 x 175 mm	1
49	BB-6204	Ball Bearing	6204	4
50	PTX2748-054	Steering Wheel	Ø180 x 50 mm	2
51	PT2748J-081A	Snap Ring	20 mm	4
52	PTX2748-056	Dust Seal Cap		2
53	PTX2748-057	Valve Cap		1
54	PTX2748-066	Needle Valve Spring		1
55	PTX2748-067	Needle Valve		1
56	PTX2748-071	O-Ring	13.2 x 2.65 mm	1
57	PTX2748-068	Needle Valve Base		1

Index No.	Part No.	Description	Size	Qty
58	SB-7MM	Steel Ball	7 mm	1
59	PTX2748-073	Mid-Valve Base		1
60	PTX2748-076	Release Nozzle Spring		1
61	PTX2748-077A	Release Nozzle	Ø10 x 44 mm	1
62	PTX2748-078A	O-Ring	7.5 x 1.8 mm	2
63	PTX2748-079	O-Ring	19 x 2.65 mm	1
64	PTX2748-080	Release Nozzle Housing		1
65	PTX2748-081	Valve Assembly		1
66	TS-1503041	Socket Head Cap Screw	M6x16	1
67	PTX2748-083	Bushing	Ø16 x Ø18 x 15 mm	2
68	PTX2036-084	Lifting Yoke (for PTX-2036/2048)		1
	PTX2748-084	Lifting Yoke (for PTX-2748)		1
69	PTX2748-085	Oil Lite Bushing	Ø25 x Ø30 x 25 mm	2
70	PTX2748-086	Oil Lite Bushing	Ø16 x Ø20 x 20 mm	2
70A	PTX2748-086A	Crank Pin	Ø16 x 46 mm	2
70B	PTX2748-086B	Spring Pin	Ø4 x 30 mm	2
71	PTX2036-087	Push Rod (for PTX-2036)		2
	PTX2748-087	Push Rod (for PTX-2048/2748)		2
72	PTX2036-088	Crank Shaft (for PTX-2036/2048)	Ø25 x 481 mm	1
	PTX2748-088	Crank Shaft (for PTX-2748)	Ø25 x 646 mm	1
73	TS-0367061	Spring Pin	Ø6 x 35 mm	1
74	PT2748J-083	Load Wheel Frame		2
75	PT2748J-078A	Arm Pin	Ø16 x 145 mm	2
76	PT2748J-080BN	Load Wheel	Ø63 x 100 mm	2
77	BB-6004	Ball Bearing	6004	4
79	PT2748J-082	Load Wheel Axle	Ø20 x 127 mm	2
79A	PT2748J-081A	Snap Ring	Ø20 mm	4
80	PT2748J-086A	Rod Pin	Ø16 x 96 mm	2
81	TS-1490101	Hex Cap Screw	M8 x 55 mm	2
82	PTX2748-100	Guide Roller	Ø50 x 37 mm	2
83	PT2748A-015	V Nut	M8	2
84	PTX2036-102	Fork (for PTX-2036)		1
	PTX2048-102	Fork (for PTX-2048)		1
	PTX2748-102	Fork (for PTX-2748)		1
85	PTX2748-103	Pump Assembly		1
86	PTX2748-104	Seal Kit (<i>includes items marked with *</i>)		1
87	JTX2748-105	Handle Assembly		1
88	PTX2748-106	Pump/Handle/Table/Wheel Assembly		1
	PTX2036-ID	I.D. Label (not shown)		1
	PTX2048-ID	I.D. Label (not shown)		1
	PTX2748-ID	I.D. Label (not shown)		1
	PT2748J-JET	JET Logo Label (not shown)		1
	PT2748J-PL	Pump Label (not shown)		1
	PTX2748-HL	Handle Label (not shown)		1

* indicates items in the Seal Kit (#86).

Parts List: JTX Pallet Truck

Index No.	Part No.	Description	Size	Qty
1	PTX2748-001	Handle		1
2	PTX2748-002	Spring Pin	Ø4 x 30 mm	2
3	PTX2748-003	Block Spring		1
4	PTX2748-004	Spring Pin	Ø4 x 22 mm	2
5	PTX2748-005	Roller	Ø14 x 10 mm	1
6	PT3348J-077	Spring Pin	Ø6 x 30 mm	1
7	PTX2748-008	Control Lever		1
8	JTX2748-009	Release Rod		1
9	PTX2748-010	Oil Lite Bushing	Ø15 x Ø17 x 20 mm	1
10	PTX2748-011	Roller	Ø25 x 36 mm	1
11	PTX2748-012	Oil Lite Bushing	Ø15 x Ø17 x 15 mm	1
12	PTX2748-013	Roller Pin	Ø15 x 65 mm	1
13	PTX2748-014	Spring Pin	Ø8 x 55 mm	1
14	PTX2748-015	Cam		1
15	TS-2311061	Hex Nut	M6	1
16	TS-1503051	Socket Head Cap Screw	M6 x 20	1
17	JTX2748-018A	Table Pin	Ø16 x 41 mm	2
18	JTX2748-019A	Table		1
19	PTX2748-020A	Snap Ring	50 mm	1
20	PT2748J-081	Spring Pin	Ø5 x 30 mm	8
21	PTX2748-022A	Bearing Base		1
22	PTX2748-023	Ball Bearing	51110	1
23	PT2748A-044	Spring Pin	Ø8 x 45 mm	1
24	PTX2748-027A	Oil Lite Bushing	Ø20 x Ø22 x 16 mm	2
25	PTX2748-028	Handle Pin	Ø20 x 100 mm	1
26	PTX2748-029	Spring Pin	Ø5 x 40 mm	2
27	PTX2748-030	Pump Retainer Pin	Ø8 x 100 mm	1
28	PTX2748-031A	Washer	Ø27 mm	1
29	PTX2748-032A	Plunger Housing		1
30	PTX2748-033A	U-Packing *	Ø26 x Ø18 x 5 mm	1
31	PTX2748-034A	Dust Seal Ring *	Ø26 x Ø18 x 6 mm	1
32	PTX2748-035	Spring		1
33	PTX2748-036	Spring Cap		1
34	PTX2748-037A	Plunger Piston	Ø18 x 101 mm	1
35	SB-6MM	Steel Ball	6 mm	1
36	PT2748A-030	Spring Base		1
37	PT2748A-030A	Spring		1
38	PTX2748-041	Release Screw		1
39	PTX2748-042	O-Ring *	11.8 x 2.65 mm	2
40	PTX2748-043	Pressure Adjust Screw		1
41	JTX2748-045A	U-Packing *	Ø35 x Ø45 x 6 mm	1
42	JTX2748-046A	O-Ring *	Ø34.5 x 2.65 mm	1
43	JTX2748-047	Dust Seal Ring *	Ø35 x Ø43 x 6.5 mm	1
44	JTX2748-048A	Ram Piston	Ø35 x 270 mm	1
45	SB-19	Steel Ball	19 mm	1
46	PTX2748-050	Oil Plug		1
47	JTX2748-051A	Pump Housing		1
48	JTX2748-052A	Wheel Shaft	Ø25 x 175 mm	1
49	BB-6204	Ball Bearing	6204	4
50	JTX2748-054	Steering Wheel	Ø200 x 50 mm	2
51	PT2748J-081A	Snap Ring	20 mm	4
52	PTX2748-056	Dust Seal Cap		2
53	PTX2748-057	Valve Cap		1
54	PTX2748-066	Needle Valve Spring		1
55	PTX2748-067	Needle Valve		1
56	PTX2748-071	O-Ring	13.2 x 2.65 mm	1

Index No.	Part No.	Description	Size	Qty
57	PTX2748-068	Needle Valve Base		1
58	SB-7MM	Steel Ball	7 mm	1
59	PTX2748-073	Mid-Valve Base		1
60	PTX2748-076	Release Nozzle Spring		1
61	PTX2748-077A	Release Nozzle	Ø10 x 44 mm	1
62	PTX2748-078A	O-Ring	7.5 x 1.8 mm	2
63	PTX2748-079	O-Ring	19 x 2.65 mm	1
64	PTX2748-080	Release Nozzle Housing		1
65	PTX2748-081	Valve Assembly		1
66	TS-1503041	Socket Head Cap Screw	M6x16	1
67	PTX2748-083	Bushing	Ø16 x Ø18 x 15 mm	2
68	JTX2748-084	Lifting Yoke		1
69	PTX2748-085	Oil Lite Bushing	Ø25 x Ø30 x 25 mm	2
70	JTX2748-086	Oil Lite Bushing	Ø18 x Ø22 x 20 mm	2
70A	JTX2748-086A	Crank Pin	Ø18 x 54 mm	2
70B	JTX2748-086B	Snap Ring	18 mm	2
71	JTX2748-087	Push Rod		2
72	JTX2748-088	Crank Shaft	Ø25 x 600 mm	1
73	JTX2748-089A	E-Ring	25 mm	2
74	JTX2748-090	Load Wheel Frame		2
75	JTX2748-092	Arm Pin	Ø20 x 156 mm	2
76	JTX2748-094	Load Wheel	Ø82 x 91 mm	2
77	JTX2748-095	Ball Bearing	6204	4
78	JTX2748-096A	Washer (JTX only)	Ø26 x 20 x 2 mm	4
79	JTX2748-097	Load Wheel Axle	Ø20 x 130 mm	2
79A	PT2748J-081	Spring Pin	5x30 mm	2
80	JTX2748-098	Rod Pin	Ø20 x 105 mm	2
81	TS-1490101	Hex Cap Screw	M8 x 55	2
82	PTX2748-100	Guide Roller	Ø50 x 37 mm	2
83	PT2748A-015	V-Nut	M8	2
84	JTX2748-102	Fork		1
85	JTX2748-103	Pump Assembly		1
86	JTX2748-104	Seal Kit (<i>includes items marked with *</i>)		1
87	JTX2748-105	Handle Assembly		1
88	JTX2748-106	Pump/Handle/Table/Wheel Assembly		1
	JTX2748-ID	I.D. Label (not shown)		1
	PT2748J-JET	JET Logo Label (not shown)		1
	PT2748J-PL	Pump Label (not shown)		1
	PTX2748-HL	Handle Label (not shown)		1

* indicates items in the Seal Kit (#86).



TEST CERTIFICATE

COMMODITY	Pallet Truck
MODEL	PTX-
SERIAL NO.	
CAPACITY	5,500 lbs
TEST LOAD	lbs
DATE OF INSPECTION	
JUDGEMENT	PASSED
INSPECTOR	



TEST CERTIFICATE

COMMODITY	Pallet Truck
MODEL	JTX-2748
SERIAL NO.	
CAPACITY	8,000 lbs
TEST LOAD	lbs
DATE OF INSPECTION	
JUDGEMENT	PASSED
INSPECTOR	



WALTER MEIER (Manufacturing) Inc.

427 New Sanford Road
LaVergne, Tennessee 37086
Phone: 800-274-6848
www.waltermeier.com