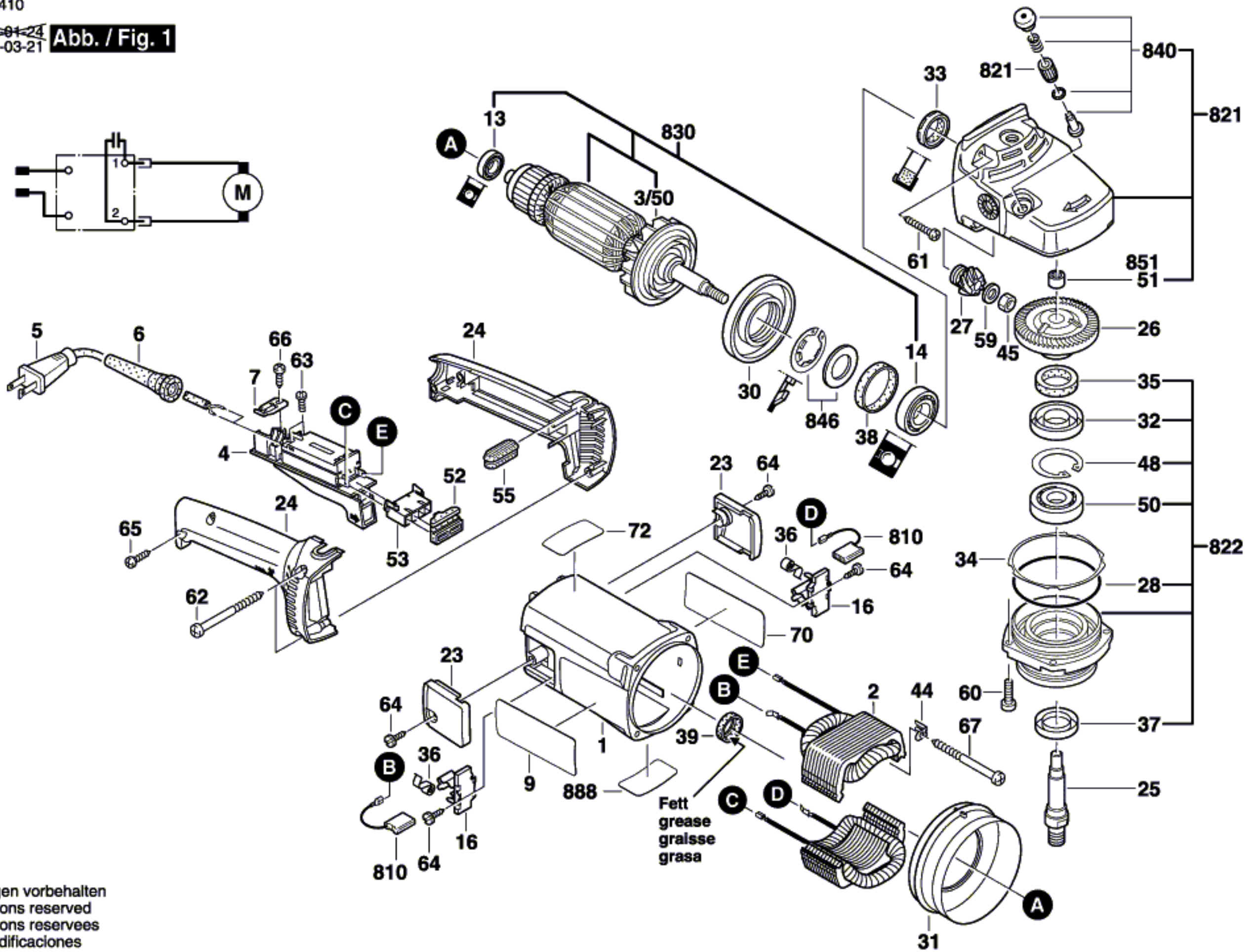
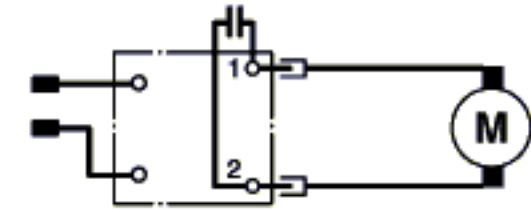


3 601 C65 410

Stand } ~~11-01-24~~ **Abb. / Fig. 1**
Issue } 11-03-21



Änderungen vorbehalten
Modifications reserved
Modifications reserves
Salvo modificaciones