



# SERVICE PARTS LIST

**BULLETIN NO.**  
**54-08-1275**

<b>SPECIFY CATALOG NO. AND SERIAL NO. WHEN ORDERING PARTS</b>		REVISED BULLETIN	DATE
<b>CORDLESS KEYLESS 1/2" D-HANDLE DRILL</b>			Dec. 2005
<b>CATALOG NO. 1109-20</b>	<b>STARTING SERIAL NO. 972A</b>	<b>WIRING INSTRUCTION 58-01-0790</b>	

**EXAMPLE:**  
Component Parts (Small #)  
Are Included When Ordering  
The Assembly (Large #).

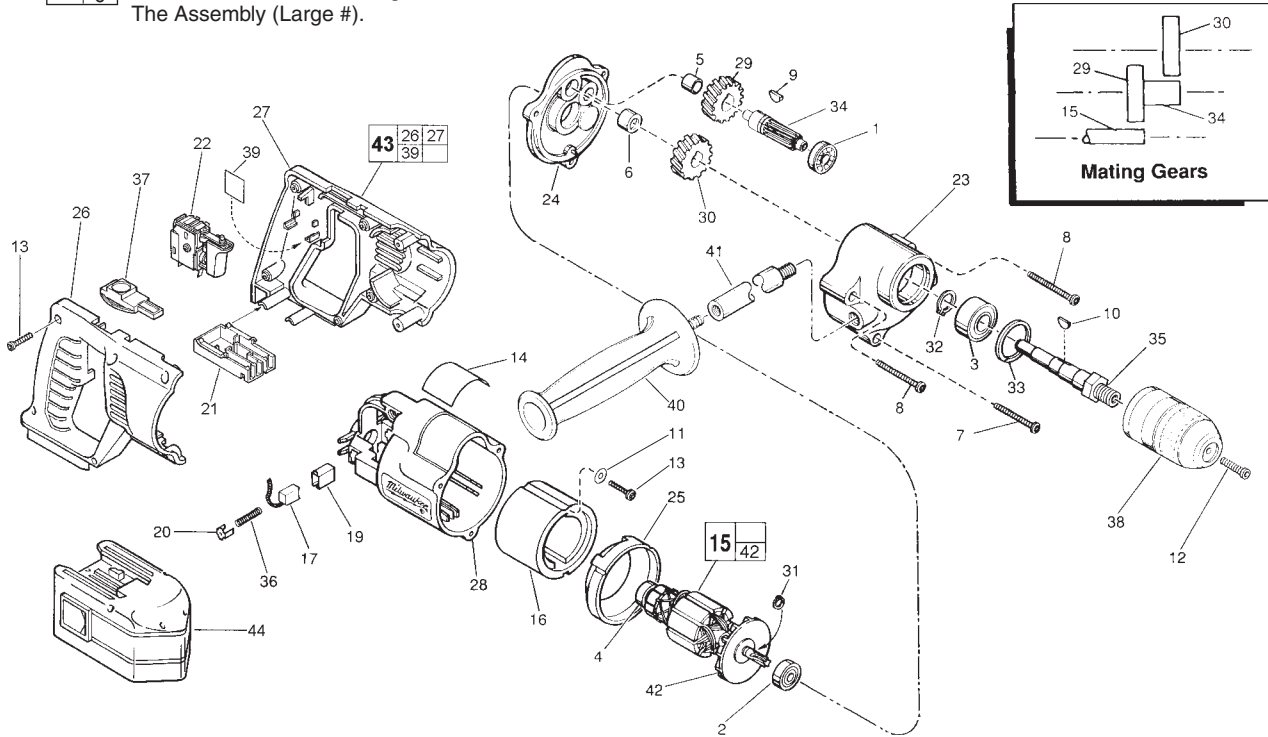


FIG.	PART NO.	DESCRIPTION OF PART	NO. REQ.
1	02-04-0725	Ball Bearing	(1)
2	02-04-0911	Ball Bearing	(1)
3	02-04-1536	Ball Bearing	(1)
4	02-04-5130	Ball Bearing	(1)
5	02-50-1640	Needle Bearing	(1)
6	02-50-2440	Needle Bearing	(1)
7	05-88-5905	K50 x 41mm Pan Hd. PT T-20	(1)
8	05-88-5927	K50 x 63mm Pan Hd. PT T-20	(2)
9	06-42-0800	Woodruff Key	(1)
10	06-42-2000	Woodruff Key	(1)
11	45-88-0603	Washer	(1)
12	06-82-1005	1/4-20 x 1-1/8" L.H. Thread Screw	(1)
13	06-82-7261	6-19 x 11/16" Pan Hd. Stt. Plastite T-15	(8)
14	12-20-1325	Service Nameplate Kit	(1)
15	16-01-1100	Armature	(1)
16	18-01-0080	Field	(1)
17	22-18-0975	Carbon Brush Assembly-Right	(1)
17A	22-18-0970	Carbon Brush Assembly-Left (Not Shown)	(1)
19	22-20-0860	Brush Tube	(2)
20	22-32-0400	Brush Spring Clip	(2)
21	22-56-0230	Connector Block	(1)
22	23-66-2353	Switch	(1)
23	28-14-1922	Gearcase	(1)
24	28-28-0601	Diaphragm	(1)
25	31-05-0080	Baffle	(1)
26	31-44-0750	Handle Half-Right	(1)
27	31-44-0755	Handle Half-Left	(1)
28	31-50-0961	Motor Housing	(1)
29	32-40-1251	Intermediate Gear	(1)
30	32-75-2011	Spindle Gear	(1)
31	34-60-0650	External Retaining Ring	(1)
32	34-60-1200	Retaining Ring	(1)
33	34-80-2500	Retaining Ring	(1)
34	36-66-2711	Intermediate Pinion	(1)
35	38-50-5475	Spindle	(1)

FIG.	PART NO.	DESCRIPTION OF PART	NO. REQ.
36	40-50-8775	Brush Spring	(2)
37	45-24-0220	3 Position Locking Slide	(1)
38	48-66-1375	1/2" Keyless Chuck	(1)
39	10-15-0175	Wiring Instruction Label	(1)
40	43-62-1265	Side Handle	(1)
41	43-62-1170	Side Handle Extension	(1)
42	22-84-0830	Fan Assembly	(1)
43	31-44-0775	Handle Kit	(1)
44	-----	Battery (Accessory)	(1)
	23-94-5890	Leadwire Assy.-Black (See 58-01-0790)	(1)
	23-94-5895	Leadwire Assy.-White (See 58-01-0790)	(1)

**FIG. 23 LUBRICATION:**  
3-3/4 Oz. Type "A" Grease, No. 49-08-0800.

**FIG. 17, 17A, 19 NOTES:**  
Remove Brushes And Brush Tubes To Prevent Damage When Installing Or Removing Armature From Motor Housing.  
40 Apply Red Loctite To Threads Of Side Handle.