



# SERVICE PARTS LIST

## 0-500 R.P.M. REVERSING DRAIN CLEANER

### Catalog No. 0565-1

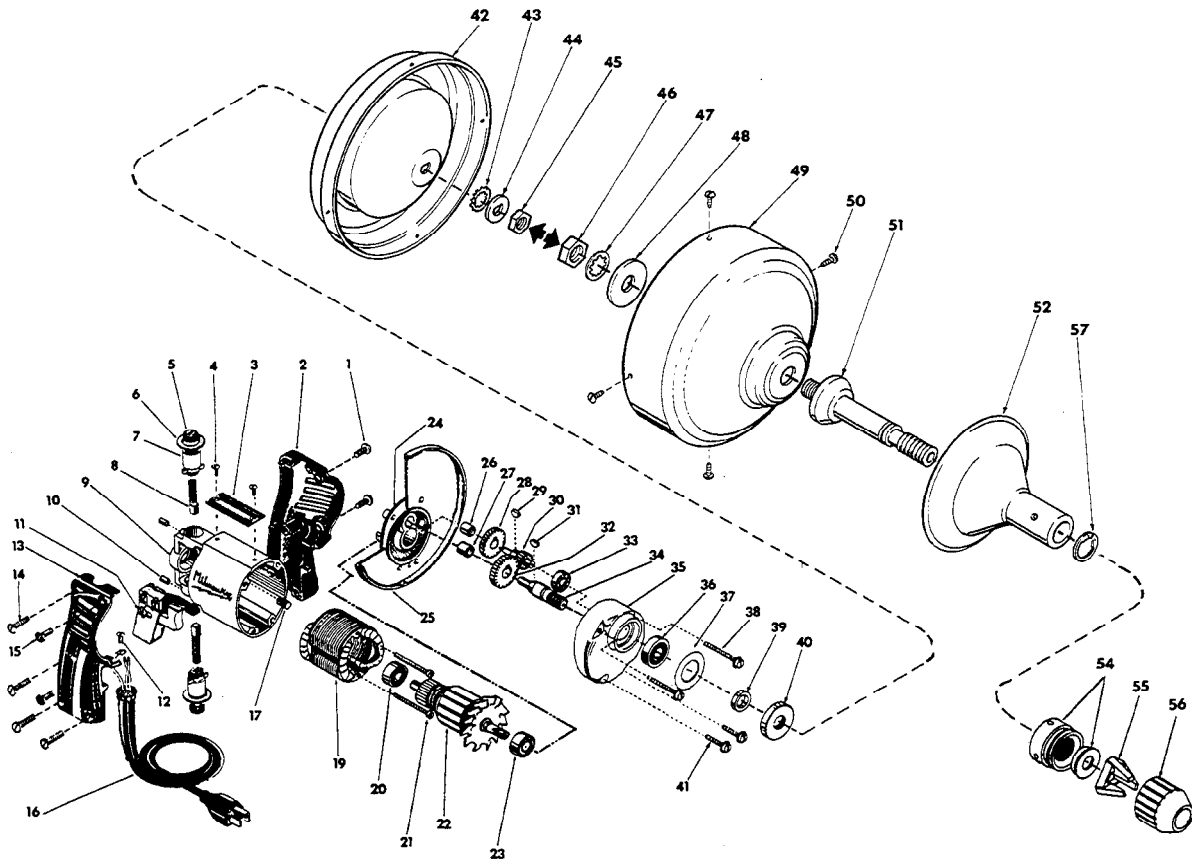
Starting Serial No. **467-1001**

Both Model and Serial No. must be furnished to obtain correct parts.

**BUL. 54-05-0110**

REVISED BUL  DATE July '72

WIRING INSTR. **58-01-0650**



| FIG. | PART NO.   | DESCRIPTION OF PART                        | NO. REQ. |
|------|------------|--|----------|
| 1    | 06-81-0450 | 8-32x3/8 Pan Hd. Handle Mtg. Scr. (2)      | (2)      |
| 2    | 31-44-0261 | L.H. Handle Half                           |          |
| 3    | 12-99-0022 | Name Plate                                 |          |
| 4    | 06-85-0200 | Name Plate Screws                          | (2)      |
| 5    | 23-44-0020 | Brush Retaining Cap                        | (2)      |
| 6    | 23-86-0105 | Insulating Washer                          | (2)      |
| 7    | 22-22-0251 | Brush Holder Assy.                         | (2)      |
| 8    | 22-18-0360 | Carbon Brush Assy.                         | (2)      |
| 9    | 28-50-6091 | Motor Housing (incl. fig. 17)              |          |
| 10   | 06-83-2430 | 10-32x1/4 Socket Hd. Br. Hld. Set Scr. (2) | (2)      |
| 11   | 23-66-0795 | Rev. Speed Control Switch                  |          |
| 12   | 06-81-8625 | 6-32x1/4 Sems Ground Screw                 |          |
| 13   | 31-44-0250 | R.H. Handle Half                           |          |
| 14   | 06-81-0400 | 8-32x3/4 Pan Hd. Handle Mtg. Scr. (4)      | (4)      |
| 15   | 06-81-0450 | 8-32x3/8 Pan Hd. Handle Mtg. Scr. (2)      | (2)      |
| 16   | 22-64-0660 | Cord Set                                   |          |
| 17   | 45-30-0120 | Ball Bearing Ret. Slug                     |          |
| 19   | 18-22-1060 | Field                                      |          |
| 20   | 02-04-0740 | Ball Bearing                               |          |
| 21   | 06-81-5950 | 6-32x1-7/8 Fil. Hd. Sems Field Scr. (2)    | (2)      |
| 22   | 16-22-1221 | Armature Assy.                             |          |
| 23   | 02-04-0740 | Ball Bearing                               |          |
| 24   | 28-28-0221 | Diaphragm                                  |          |
| 25   | 45-12-0210 | Shield                                     |          |
| 26   | 02-50-1210 | Needle Bearing                             |          |
| 27   | 02-50-1640 | Needle Bearing                             |          |
| 28   | 32-40-1121 | Intermediate Gear                          |          |
| 29   | 06-42-0400 | Woodruff Key                               |          |

| FIG. | PART NO.   | DESCRIPTION OF PART            | NO. REQ. |
|------|------------|--------------------------------|----------|
| 30   | 36-66-0851 | Intermediate Pinion Shaft      |          |
| 31   | 06-42-0800 | Woodruff Key                   |          |
| 32   | 32-75-1101 | Spindle Gear                   |          |
| 33   | 02-04-0640 | Ball Bearing                   |          |
| 34   | 38-50-4001 | Spindle                        |          |
| 35   | 28-14-0363 | Gear Case                      |          |
| 36   | 02-04-1020 | Ball Bearing                   |          |
| 37   | 34-80-1400 | Retaining Ring                 |          |
| ★38  | 06-81-6575 | 8-32 x 1-5/8 Fil. Hd. Sems     | (2)      |
| 39   | 45-88-0080 | Spacer                         |          |
| 40   | 45-36-0621 | Spacer                         |          |
| ★41  | 06-81-6350 | 8-32 x 1 Fil. Hd. Sems         | (2)      |
| 42   | 43-11-0010 | Upper Drum Section             |          |
| 43   | 06-97-4130 | Lock Washer                    |          |
| 44   | 45-88-7235 | "D" Hole Washer                |          |
| 45   | 06-55-2450 | 3/8-24 Hex Nut                 |          |
| 46   | 06-55-3760 | Hex Nut                        |          |
| 47   | 06-97-3010 | Internal Lockwasher            |          |
| 48   | 45-88-7175 | Wrought Washer                 |          |
| 49   | 43-11-0011 | Lower Drum Section             |          |
| 50   | 06-85-1800 | Phillips Hd. Self Tap Scr. (4) | (4)      |
| 51   | 38-50-5055 | Spindle Assembly               |          |
| 52   | 43-54-0220 | Hand Guard Assembly            |          |
| 53   | 48-66-0270 | Chuck (fig. nos. 54 thru 56)   |          |
| 54   | 42-30-0270 | Chuck Body and Thrust Plug     |          |
| 55   | 42-77-0010 | Chuck Collet                   |          |
| 56   | 45-22-0310 | Chuck Sleeve                   |          |
| 57   | 34-60-2310 | Retaining Ring                 |          |