



SERVICE PARTS LIST

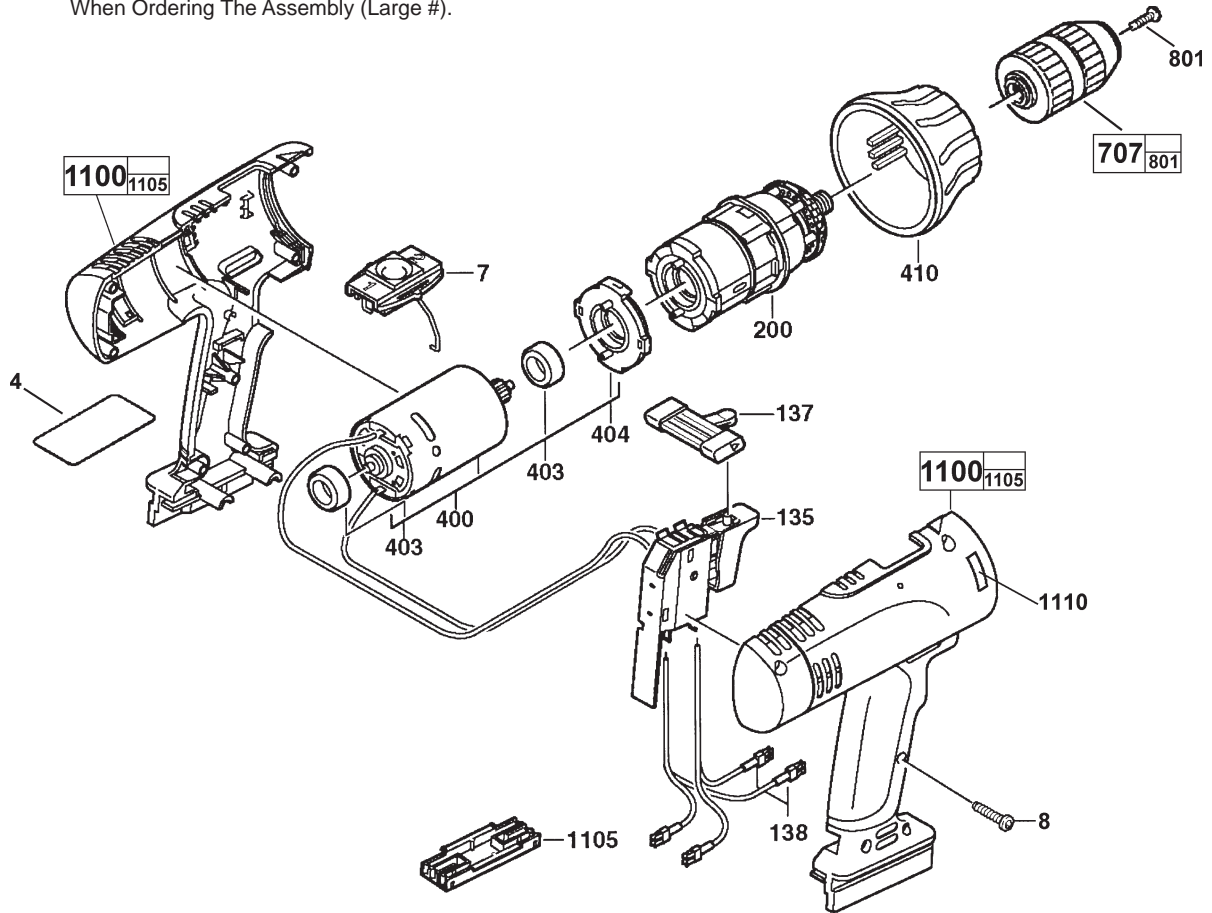
BULLETIN NO.
54-06-2600

SPECIFY CATALOG NO. AND SERIAL NO. WHEN ORDERING PARTS		REVISED BULLETIN	DATE
14.4 VOLT 1/2" POWER PLUS DRIVER DRILL			Feb. 2009
CATALOG NO.	0516-20	STARTING SERIAL NO.	913A
		WIRING INSTRUCTION See Inset	

EXAMPLE:

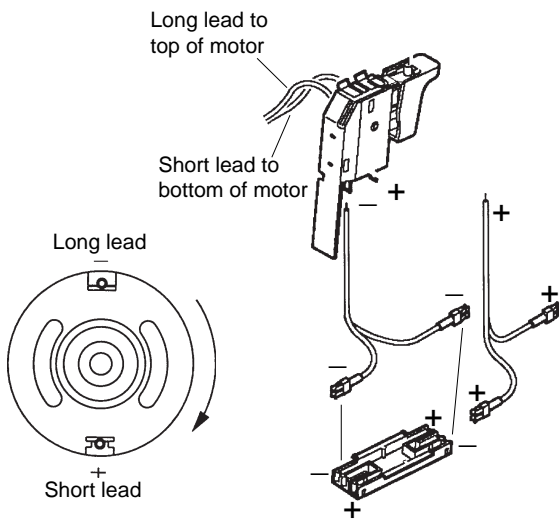
00	0
----	---

 Component Parts (Small #) Are Included
 When Ordering The Assembly (Large #).



NOTE:

Proper polarity in terminal block requires leads to be crossed as illustrated.



WARNING!

Switch polarity sensitive if wired incorrectly with terminal block (1105). Switch will be damaged and destroyed.

FIG.	PART NO.	DESCRIPTION OF PART	QTY.
4	12-20-0640	Service Nameplate	(1)
7	45-24-0090	Slide High / Low	(1)
8	06-82-7236	4-20 x 5/8" Pan Hd. Plastite T-10	(7)
135	23-66-0465	Switch	(1)
137	45-24-0500	Reversing Shuttle	(1)
138	23-94-6390	Lead Wire Assembly	(2)
200	14-46-0524	Service Motor Gearcase Kit	(1)
400	23-30-0390	Motor	(1)
403	45-22-0340	Rubber Sleeve	(2)
404	44-66-5925	Motor Mount Plate	(1)
410	43-76-0670	Torque Selector Ring	(1)
707	48-66-1375	Keyless Chuck	(1)
---	---	Battery Pack (Not Shown)	(1)
801	06-82-1005	Chuck Screw	(1)
1100	31-50-0410	Housing Assembly	(1)
1105	22-56-0195	Terminal Block	(1)
1110	10-15-0450	Warning Label	(1)

MILWAUKEE ELECTRIC TOOL CORPORATION

13135 W. Lisbon Road, Brookfield, WI 53005

Drwg. 3