



# SERVICE PARTS LIST

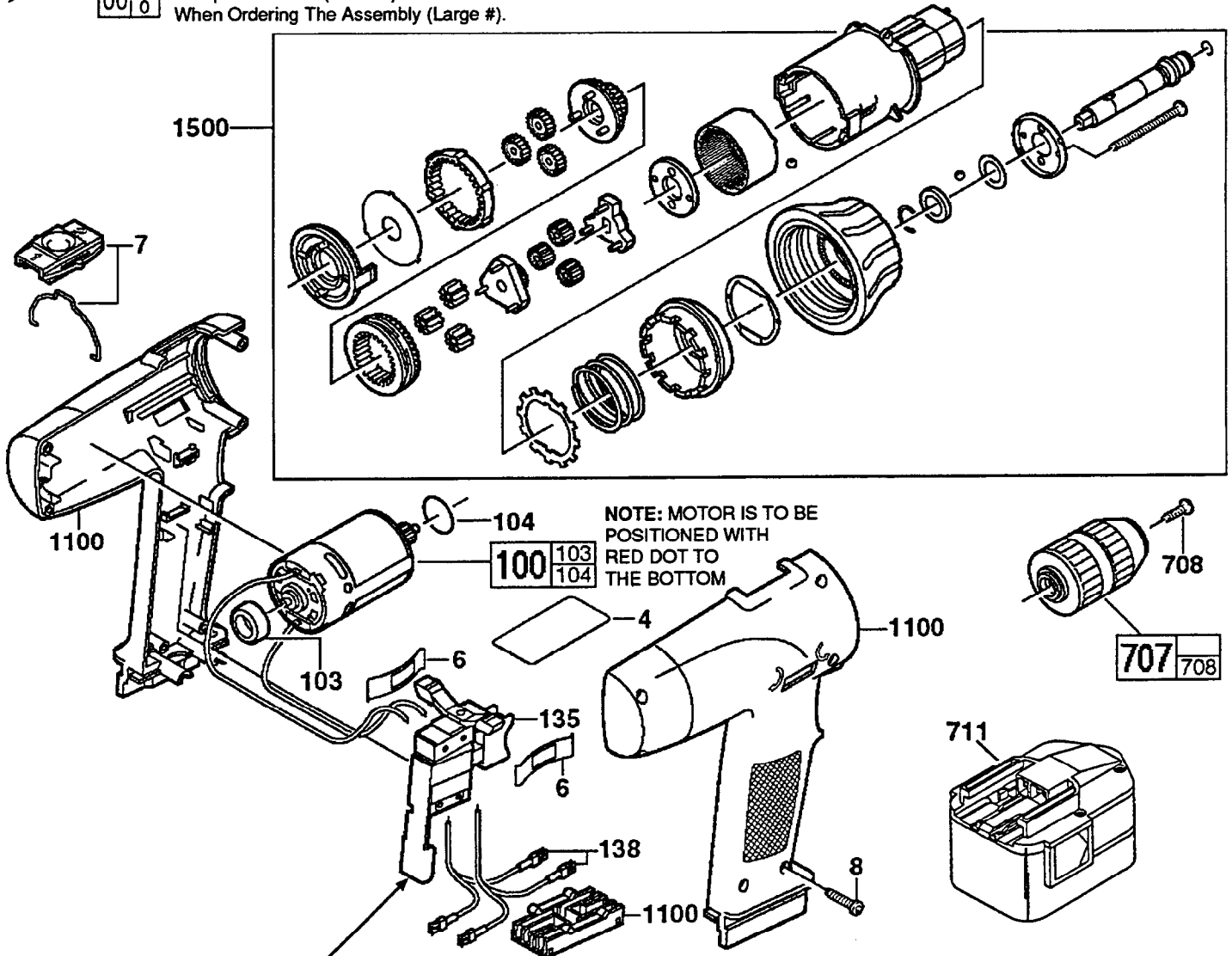
BULLETIN NO.  
55-06-2475

SPECIFY CATALOG NO. AND SERIAL NO. WHEN ORDERING PARTS		REVISED BULLETIN	DATE
14.4 VOLT 1/2" POWER PLUS DRIVER-DRILL			Oct. '97
CATALOG NO. 0512-51	SERIAL NUMBER 944A	WIRING INSTRUCTION SEE REVERSE SIDE	

EXAMPLE:  

00	0
----	---

 Component Parts (Small #) Are Included  
 When Ordering The Assembly (Large #).

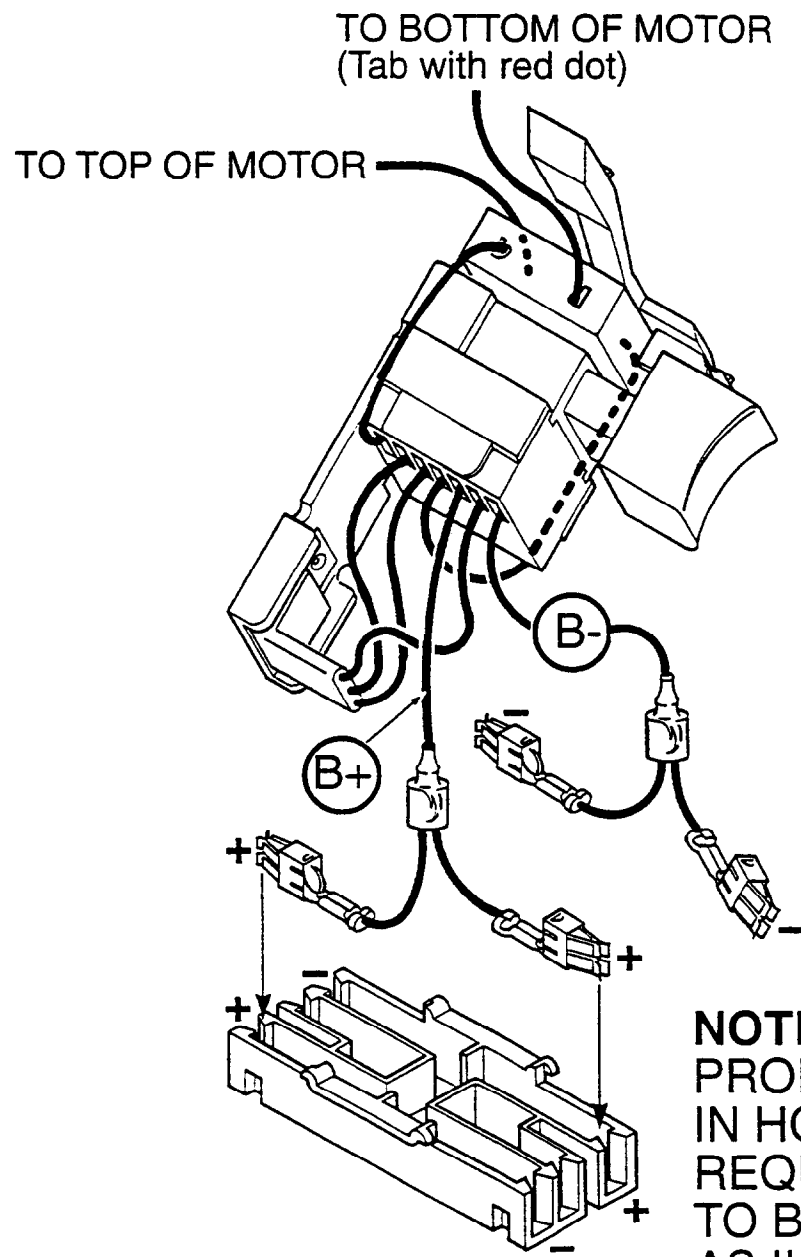






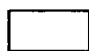

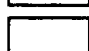
**⚠ WARNING**  
**SWITCH POLARITY SENSITIVE**  
 If wired incorrectly with housing assembly, (fig. 1100), switch will be damaged and destroyed!  
 See reverse side of bulletin for switch wiring detail.

FIG.	PART NO.	DESCRIPTION OF PART	NO. REQ.
4	-----	Nameplate	1
6	45-22-0145	Dust Shield	2
7	45-24-1195	Slide High/Low	1
8	06-82-7236	Screw	6
100	23-30-0115	Motor	1
103	45-22-0570	Rubber Sleeve	1
104	34-40-2005	O-Ring	1
135	23-66-1295	Switch	1
138	23-94-9010	Lead Wire Assembly	1
707	48-66-0420	Chuck	1
708	45-04-0750	Chuck Screw - L.H. Thread	1
711	-----	Battery Pack	1
1100	31-50-0495	Housing Assembly	1
1500	14-29-0090	Gear Box Assembly	1


  
**WARNING**

**SWITCH POLARITY SENSITIVE**  
IF WIRED INCORRECTLY WITH  
HOUSING ASSEMBLY, (FIG. 1100),  
SWITCH **WILL BE** DAMAGED  
AND DESTROYED.



	B-
	G
	B+
	M2
	S
	D
	M1

**BOTTOM VIEW  
OF SWITCH**

**NOTE:**  
PROPER POLARITY  
IN HOUSING ASSEMBLY  
REQUIRES LEADS  
TO BE CROSSED  
AS ILLUSTRATED .