



# SERVICE PARTS LIST

**BULLETIN NO.**  
**55-06-1100**

<b>SPECIFY CATALOG NO. AND SERIAL NO. WHEN ORDERING PARTS</b>		REVISED BULLETIN	DATE
<b>VARIABLE SPEED 3/8" CORDLESS DRIVER/DRILL</b>			Feb. '96
CATALOG NO. <b>0415-04</b>	STARTING SERIAL NO. <b>887A</b>	WIRING INSTRUCTION <b>58-01-1241</b>	

**EXAMPLE:**  
Component Parts (Small #)  
Are Included When Ordering  
The Assembly (Large #).

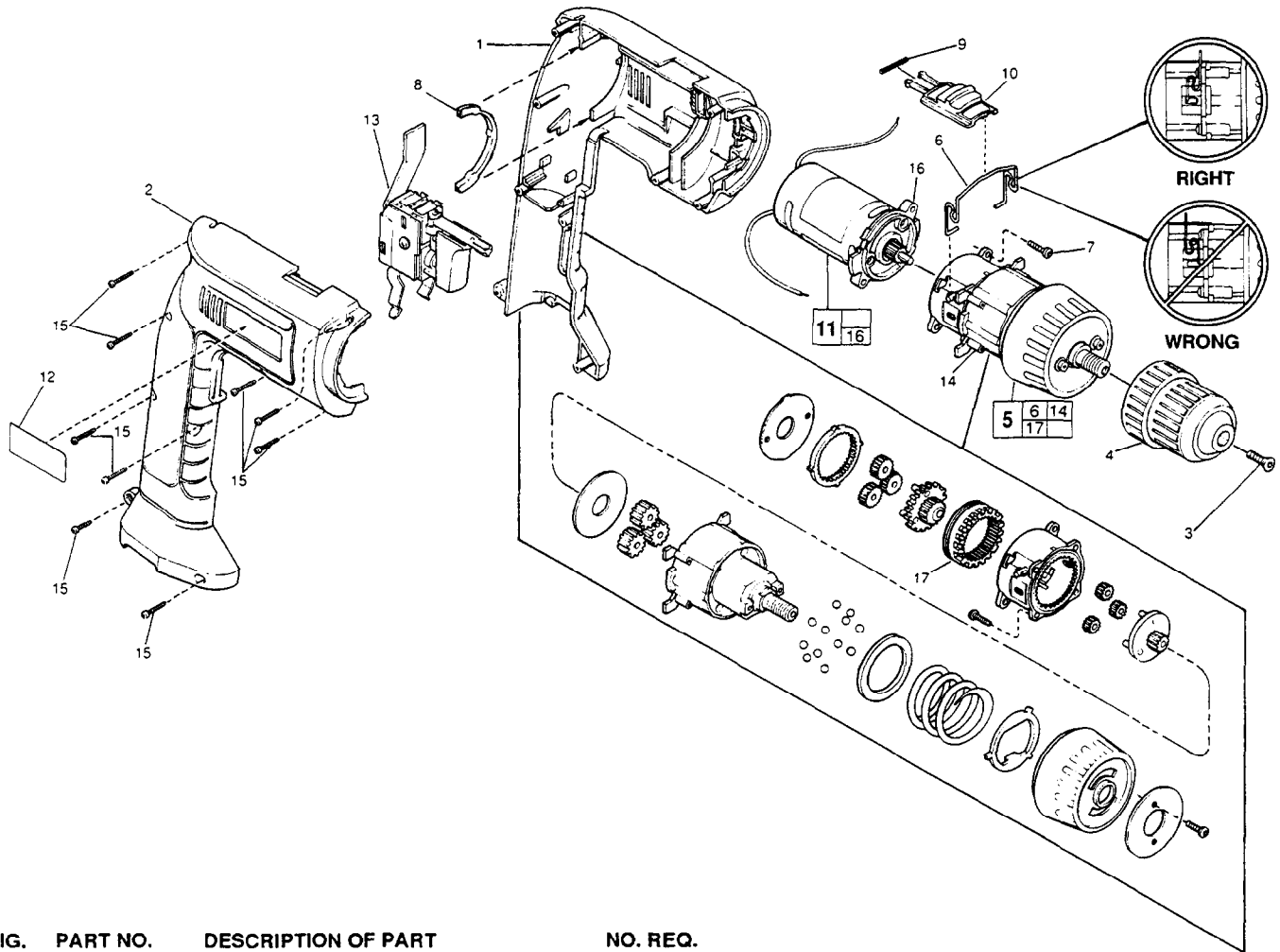


FIG.	PART NO.	DESCRIPTION OF PART	NO. REQ.
1	31-50-1330	Left Housing Half	(1)
2	31-50-1340	Right Housing Half	(1)
3	05-88-1399	Chuck Retaining Screw T-20	(1)
4	48-66-0375	Keyless Chuck	(1)
5	14-30-0811	Service Gearcase Assembly	(1)
6	44-10-0390	Wireform Shift Lever	(1)
7	06-82-7218	4-20 x 3/8" Pan Hd. Plastite T-10 Screw	(2)
8	31-86-0200	Spacer	(2)
9	40-50-8310	Spring	(1)
10	45-24-0075	Slide - High/Low	(1)
11	14-50-0665	Service Motor Assembly	(1)
12	-----	Service Nameplate Kit	(1)
13	23-66-2300	Variable Speed Switch	(1)
14	31-40-0110	Gear Housing	(1)
15	06-82-7236	4-20 x 5/8" Pan Hd. Plastite T-10 screw	(9)
16	44-66-0960	Motor Mount Plate	(1)
17	32-65-0080	Shift Lever Ring Gear	(1)

**MILWAUKEE ELECTRIC TOOL CORPORATION**  
13135 W. LISBON RD., BROOKFIELD, WI 53005

Drwg. 1